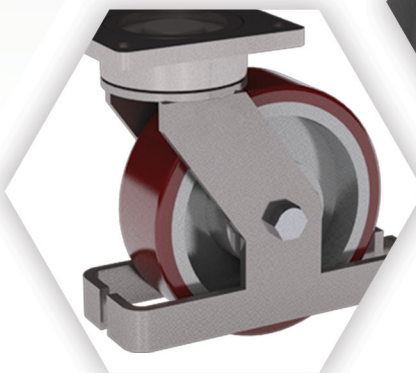
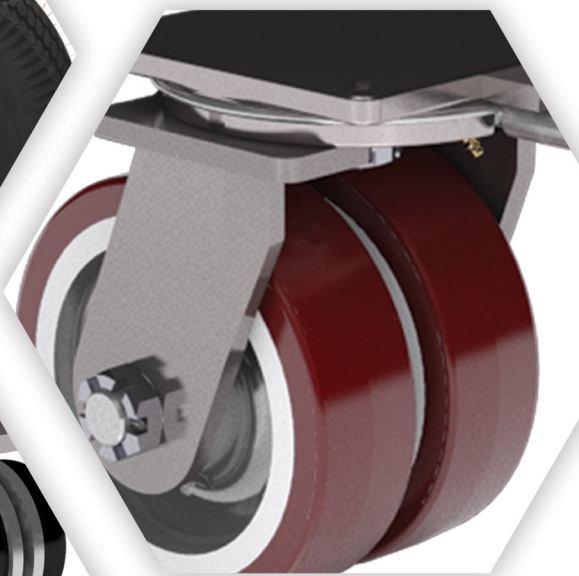
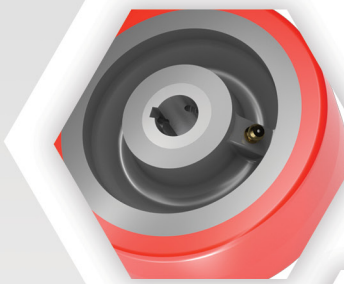




CASTER CONCEPTS

Beyond Standard.

2016 EDITION



- ▶ Products
- ▶ Service
- ▶ Delivery
- ▶ Solutions
- ▶ People



As we approach 30 years in business it is amazing to me how much this business has changed since 1987 when the business was founded. With that said, it is also amazing to me how many things have not changed during that same period of time.

Let me share with you what has not changed first of all...

- Caster Concepts is a domestic manufacturer of industrial casters and wheels.
- Domestic content of US made components in all of our products exceeds 98%.
- We started as a US manufacture and are still committed to US manufacturing.
- 80% of our supplier base is in a 40 mile radius of Albion, MI. Suppliers of our core components have not substantially changed over the past 20 years.
- We expect high quality raw material from the supply base.
- 80% of our work force lives within a 15 mile radius of our location.
- Caster Concepts has a highly skilled engineering team.
- We excel in application of our product in difficult applications.
- What the customer needs is the most important.
- You bought our products the first time because you trusted Caster Concepts and you continue to buy today for the same reason—TRUST.. When failure is not an option.

Now let me tell you what is new...

- We manufacture in the most modern facility in the market.
- We have the most sophisticated manufacturing equipment in the industry.
- We manufacture all of our components (except hardware) internally allowing control of lead times.

- Our manufacturing process is controlled by our ISO 2001-9008 certification
- Laser cutting and forming have totally replaced stampings.
- Polyurethane hot casting capabilities give us the highest quality product in a predictable lead time.

I could go on and I trust you get the point....

The culture that Caster Concepts was built on 30 years ago is stronger today than it has ever been. It was the culture that was defined by my father Richard H. Dobbins in 1987 and it provides us with a moral compass today.

In the meantime, we have invested significantly in technology for the business and it is my belief that we are the most sophisticated caster and wheel manufacture in the US. We can make from scratch faster than most businesses can find it on the shelf and box it. We are driven by continuous improvement and always believe that we can be better. We are a unique business that has no peer. I can say that because there is no other competitor that can do what we can do in the time frame we can do it. There is no reason to say we are working to be the best because Caster Concepts, Inc. is in a class of its own. We have the people to deliver on the "customer promise" 100% of the time and we go "Beyond Standard" to assure satisfaction.

William Dobbins, President & CEO

517-629-8838

bdobbins@casterconcepts.com



CASTER CONCEPTS

Beyond Standard.



TABLE OF CONTENTS

REFERENCE

Numbering System	2
Top Plates/Thickness Chart	3
Wheel Types/Durometer/Hardness Chart	4-5
Brake Types	6
Swivel Lock Types/Other Options	7
Bearing Types	8
Caster Combinations/Truck Layouts.....	9

CASTERS

Drive Caster®Motor Powered.....	10-11
CasterShoX®Noise Reducing.....	12-13
TWERGO®Ergonomic.....	14-15
TWERGO® LiteErgonomic.....	16-17
27 SeriesLight Duty 350 lbs. max capacity.....	18-19
30 SeriesMedium Duty 900 lbs. max capacity.....	20-21
37 SeriesMedium Duty 900 lbs. max capacity.....	22-23
50 SeriesMedium Heavy Duty 1,500 lbs. max capacity.....	24-25
51 SeriesKingpinless Style 1,500 lbs. max capacity.....	26-27
55 SeriesKingpinless Style 1,000 lbs. max capacity.....	28-29
57 SeriesKingpinless Style 1,500 lbs. max capacity.....	30-31
60 SeriesHeavy Duty 1,500 lbs. max capacity.....	32-33
61 SeriesKingpinless Style 3,500 lbs. max capacity.....	34-35
65 SeriesHeavy Duty 2,000 lbs. max capacity.....	36-37
70 SeriesHeavy Duty 3,500 lbs. max capacity.....	38-39
71 SeriesKingpinless Style 4,500 lbs. max capacity.....	40-41
80 SeriesExtra Heavy Duty 5,000 lbs. max capacity.....	42-43
81 SeriesKingpinless Style 10,000 lbs. max capacity.....	44-45
85 SeriesExtra Heavy Duty 10,000 lbs. max capacity.....	46-47
87 SeriesExtra Heavy Duty 5,000 lbs. max capacity.....	48-49
90 SeriesExtra Heavy Duty 8,000 lbs. max capacity.....	50-51
91 SeriesKingpinless Style 20,000 lbs. max capacity.....	52-53
95 SeriesExtra Heavy Duty 17,000 lbs. max capacity.....	54-55
99 SeriesSuper Heavy Duty 35,000 lbs. max capacity.....	56-57
112 SeriesMedium Heavy Duty 1,500 lbs. max capacity.....	58-59
Beyond Standard Solutions.....	60-61
Dual Wheel20,000 lbs. max capacity.....	62-66
Shock Absorbing Casters.....20,000 lbs. max capacity.....	67-69
Vertical Mounted Spring (VMS).....3,800 lbs. max capacity.....	70-72
Pneumatic Wheel Casters.....7,260 lbs. max capacity.....	73-75
V-Groove Series.....15,000 lbs. max capacity.....	76-77
Flanged Series.....12,000 lbs. max capacity.....	78-79

WHEELS

V-Groove15,000 lbs. max capacity.....	80-82
Flanged.....12,000 lbs. max capacity.....	83-85
Forged Steel.....20,000 lbs. max capacity.....	86-88
Premium Cast Iron15,000 lbs. max capacity.....	89-92
Phenolic Resin8,000 lbs. max capacity.....	93-94
Polyurethane.....	95-103
Round Tread.....3,600 lbs. max capacity.....	97
Standard.....5,040 lbs. max capacity.....	98-101
High Profile.....11,250 lbs. max capacity.....	102-103
NyTec-MD.....9,360 lbs. max capacity.....	104-106
Keyway.....1,600 lbs. max capacity.....	107-108
Mold on Rubber.....3,000 lbs. max capacity.....	109-111

PARTS & ACCESSORIES

Parts (Axles, Bushings, Bearings, Washers).....	112
Terms & Conditions.....	113



NUMBERING SYSTEM DEFINITIONS

CASTER: 8 0-08 40 9-21-1

SERIES TYPE

- 0 KINGPIN
- 1 KINGPINLESS
- 2 DUAL WHEEL
- 3 SPRING LOAD
- 4 VERTICAL MOUNT SPRING LOAD
- 5 HEAVY DUTY
- 6 HEAVY DUTY DUAL WHEEL
- 7 MAINTENANCE FREE
- 9 CUSTOM CASTER

**WHEEL DIAMETER
FACE WIDTH
BEARING TYPE**

- 0 PLAIN BEARING
- 1 STRAIGHT ROLLER or RIG ONLY w/AXLE
- 2 PRECISION BALL BEARING
- 3 OILITE
- 4 ANNULAR BALL BEARING
- 5 3" SPACING / 2-3/4 HUB FOR RB
- 6 3" SPACING / 2-3/4 HUB FOR BB
- 7 3" SPACING / 2-3/4 HUB FOR TB
- 8 RIG ONLY WITH TRB AXLE
- 9 PRECISION TAPERED BEARING

**1 SWIVEL
2 RIGID
WHEEL MATERIAL**

- 00 RIG ONLY
- 10 CAST IRON
- 11 HEAVY DUTY CAST IRON
- 12 DUCTILE IRON
- 15 V-GROOVE CAST IRON
- 16 HEAVY DUTY V-GROOVE CAST IRON
- 18 SINGLE FLANGED CAST IRON
- 19 DUAL FLANGED CAST IRON
- 20 FORGED STEEL
- 21 HEAVY DUTY FORGED STEEL
- 25 FORGED STEEL V-GROOVE
- 26 HEAVY DUTY FORGED V-GROOVE
- 28 SINGLE FLANGED STEEL
- 29 DUAL FLANGED STEEL
- 30 PHENOLIC RESIN
- 32 HIGH TEMP PHENOLIC
- 35 LAMINATED PHENOLIC
- 39 NYTEC-MD
- 40 THIN ERGO TREAD (GREEN - PTMEG)
- 42 TWERGO® LITE ERGO TREAD (GREEN - PTMEG)
- 43 BALLOON ERGO TREAD (GREEN - PTMEG)
- 44 TWERGO® ERGO TREAD (GREEN - PTMEG)
- 45 THICK ERGO TREAD (GREEN - PTMEG)
- 50 FULL ROUND TREAD (MAROON - 95A)
- 51 FULL ROUND T/R COMPOUND (ORANGE - 85A)
- 53 FULL ROUND HARD POLY (BLACK - 70)
- 54 FULL ROUND HPPT (PURPLE)
- 56 FULL ROUND T/R-95 (BURNT ORANGE)
- 60 STANDARD POLY (MAROON - 95A)
- 61 T/R COMPOUND - SOFT POLY (ORANGE - 85A)
- 63 HARD POLY (BLACK - 70D)
- 64 IMPORT POLYURETHANE
- 65 H.D. STANDARD POLY (1" MAROON - 95A)
- 66 T/R COMPOUND - H.D. SOFT POLY (1" ORANGE - 85A)
- 67 H.D. HARD POLY (1" BLACK - 70D)
- 68 H.D. STANDARD POLY (1" H.D. CORE - MAROON - 95A)
- 69 H.D. SOFT POLY (1" H.D. CORE - ORANGE - 85A)
- 70 MOLD ON RUBBER IRON CORE
- 71 MOLD ON RUBBER ALUMINUM CORE
- 73 NEOPRENE RUBBER
- 76 PNEUMATIC TIRE DEMOUNTABLE HUB
- 77 HEAVY DUTY PNEUMATIC
- 80 70A POLYURETHANE (BLUE)
- 85 H.D. 70A POLY (BLUE)
- 90 HPPT POLY (PURPLE - 92A)
- 91 T/R-95 POLY (BURNT ORANGE)
- 93 TWERGO® T/R (ORANGE - 85A)
- 94 TWERGO® T/R-95 (BURNT ORANGE)
- 95 H.D. HPPT POLY (1" PURPLE - 92A)
- 96 H.D. T/R-95 POLY (1" BURNT ORANGE)
- 97 TWERGO® (BLACK - 70D)
- 98 H.D. HPPT POLY (1" HD CORE - PURPLE - 92A)
- 99 H.D. T/R-95 POLY (1" HD CORE - BURNT ORANGE)

WHEEL: 08 40 9-21-16

**DIAMETER
WIDTH
BEARING TYPE**

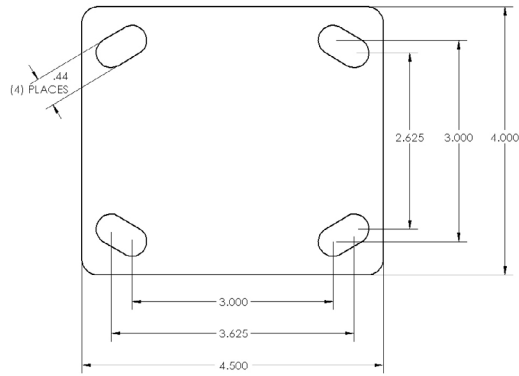
- 0 PLAIN
- 1 STRAIGHT ROLLER
- 2 BALL BEARING
- 3 OILITE
- 4 ANNULAR BALL BEARING
- 5 3" SPACING / 2-3/4 HUB FOR RB
- 6 3" SPACING / 2-3/4 HUB FOR BB
- 7 3" SPACING / 2-3/4 HUB FOR TB
- 8 BORED FOR TRB
- 9 PRECISION TAPERED BEARING

**WHEEL MATERIAL
WHEEL/BEARING BORE**

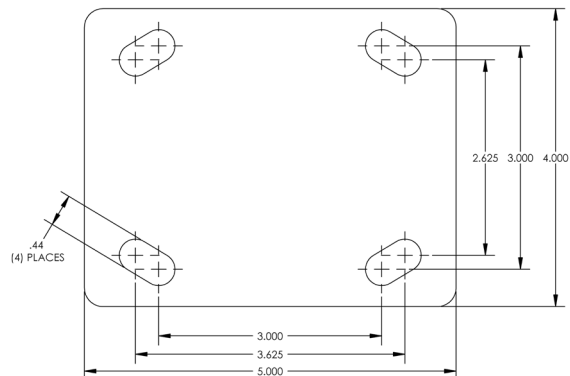
- IN 1/16TH OF AN INCH
- IE: 16=1 INCH BORE



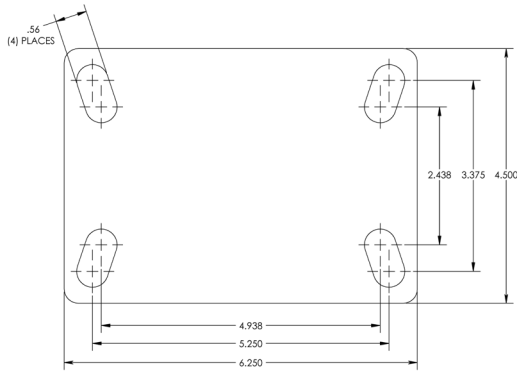
TOP PLATE SIZES



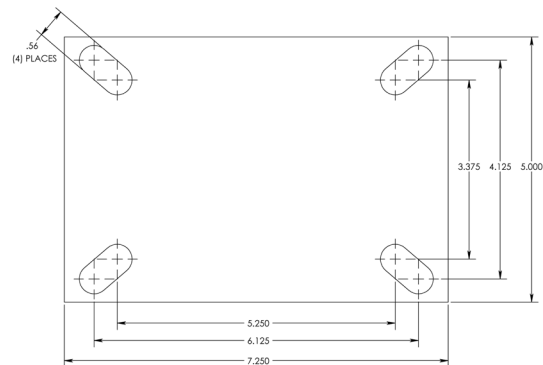
30, 32, 34 Series



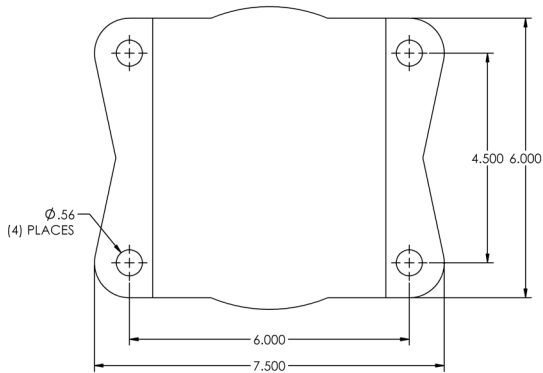
50, 51, 2-51, 52, 53, 54, 55 Series



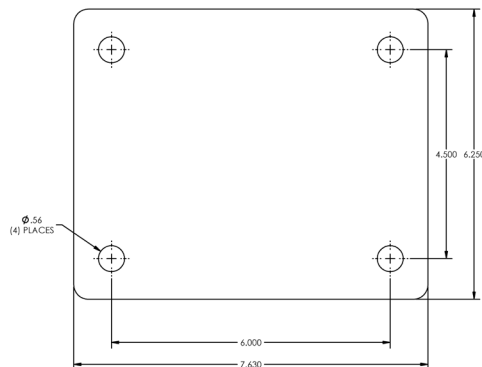
57, 60, 61, 2-61, 62, 63, 64, 65, 66, 67, 68, 69, 112 Series



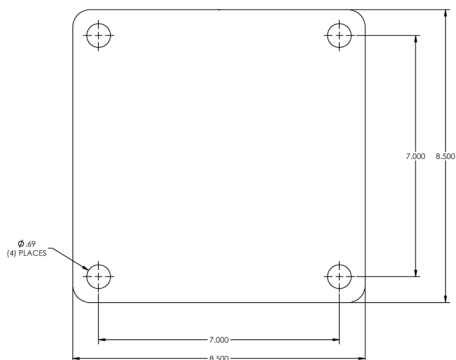
70, 71, 2-71, 72, 73, 74 Series



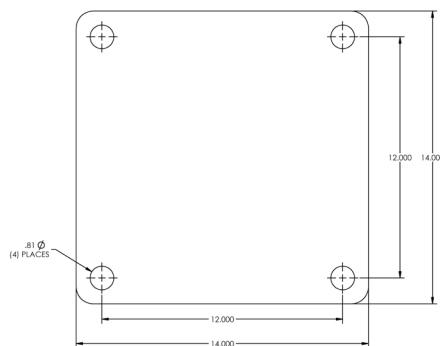
80, 82, 83, 84, 85, 86, 87 Series



81, 2-81 Series



90, 91, 2-91, 92, 93, 94, 95, 96 Series



99, 2-99 Series

TOP PLATE THICKNESS

Series	Swivel	Rigid
30	1/4"	1/4"
32	1/4"	1/4"
34	1/4"	1/4"
50	1/4"	3/8"
51	3/8"	
52	3/8"	3/8"
53	3/8"	3/8"
54	3/8"	3/8"
55	3/8"	3/8"
57	5/16"	3/8"
60	3/10"	3/8"
61	3/8"	
62	3/10"	1/4"
63	3/10"	3/8"
64	3/10"	3/8"
65	3/10"	3/8"
66	3/10"	3/8"
67	3/10"	3/8"
68	3/10"	3/8"
69	3/10"	3/8"
70	3/8"	3/8"
71	3/8"	
72	3/8"	3/8"
73	3/8"	3/8"
74	3/8"	3/8"
80	1/2"	1/2"
81	1/2"	
82	1/2"	1/2"
83	1/2"	1/2"
84	1/2"	1/2"
85	1/2"	1/2"
86	1/2"	1/2"
87	1/2"	1/2"
90	5/8"	5/8"
91	5/8"	
92	5/8"	5/8"
93	5/8"	5/8"
94	5/8"	5/8"
95	5/8"	5/8"
99	1"	1"
112	3/8"	3/8"

Note: All top plate thicknesses are nominal. Forged top plates may vary.



WHEEL TYPES



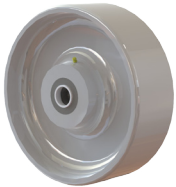
Forged Steel

Fine grain forged steel wheels are precision machined to offer the greatest load capacity, impact strength and rollability. Precision tapered bearings compliment the characteristics of these wheels.



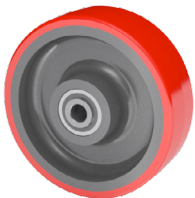
Cast Iron

Precision machined cast iron wheels feature premium Class 30 gray iron with a heavy duty cross sections. These wheels are excellent for high heat applications.



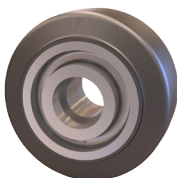
Ductile Iron

Ductile iron wheels feature many of the same characteristics of cast iron; however, the ductile iron wheel has higher tensile and yield strengths. Resists breaking or chipping.



Polyurethane

Polyurethane wheels feature a higher capacity material than rubber, provide longer wear, and will not damage your floors like cast iron or steel. A wide variety of liquid cast polyurethane wheels are offered.



Mold On Rubber

Rubber offers a cost effective alternative to polyurethane while providing a cushioned and quiet ride for the product being transported. Neoprene and high load compounds are also available.



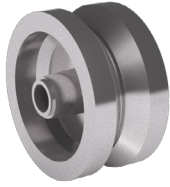
NyTec-MD

NyTec wheels provide a tough material which can handle up to 80% the weight of steel or cast iron. NyTec has excellent load carrying capacities and resists corrosion. NyTec provides a long wearing material and is especially suitable when maintenance is an issue.



Phenolic Resin

Phenolic resin wheels offer a load carrying capacity approaching that of cast iron or steel wheels. Phenolic resin wheels are a cost effective alternative with increased rollability and will not damage floors.



V-Groove

"V" grooves are machined from either cast iron or hot forged steel wheels. V-grooves work on track or off track and are essential where precise alignment or indexing of equipment is necessary.



Flanged

Single and dual-flanged wheels operate on a rail for locating fixtures in a precise position for indexing through a work cycle. Premium cast iron and steel is used for the wheel material to provide high strength and long wear.



Pneumatic

Pneumatic wheels offer the highest cushioning, shock absorbing caster/wheel, without moving to a more expensive spring loaded caster. Capacities of pneumatics are limited due to the soft cushioning characteristics of the wheel.

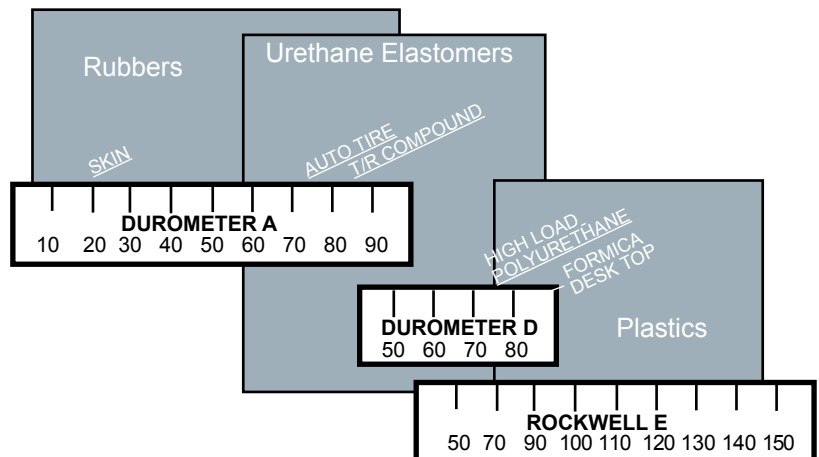


Drive/Keyway

Drive/Keyway wheels are offered from 3" to 18" diameter. Bore sizes from 1/2" to 2-7/16". Drive surfaces of poly, rubber, or steel. Excellent for power transmission applications.

HARDNESS COMPARISON CHART

Wheel Type	Tread Material	Durometer	Scale
N/A	Soft Tread Rubber	70-80	A
30, 32 & 35	Phenolics	102-104	E
60, 65 & 68	Polyurethane	90-100	A
61, 66 & 69	Soft Polyurethane	80-90	A
63 & 67	Hard Polyurethane	70	D
70	Rubber	65-75	A
71	Aluminum Core/Rubber	70-80	A
73	Neoprene	65-75	A
76	Pneumatic	55-60	A
80 & 85	70 A Polyurethane	70	A
90, 95 & 98	HPPT Polyurethane	92	A
91 & 96	95 A T/R Polyurethane	95	A



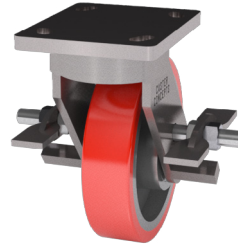


BRAKE TYPES



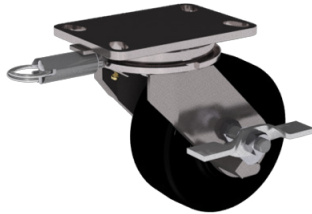
Cam (C)

The cam brake is used on lighter duty casters. This brake provides an efficient, cost-effective hub braking system.



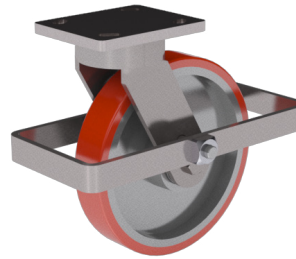
Dual Side (DS)

The dual side brake is a cost-effective hub brake. Each brake lever must be engaged by the operator.



Single Side (SS)

The single-side brake is an economical brake for medium heavy-duty casters with 6 to 12 inch diameter wheels.



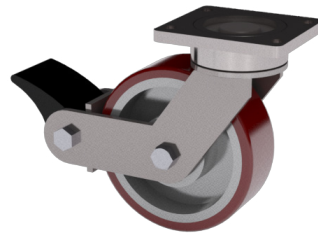
Wrap Around (W)

The wrap around brake provides total access to the braking system regardless of the caster orientation.



Face Contact (F)

The face contact brake is activated by tightening the brake shoe against the wheel.



Poly Lock (P)

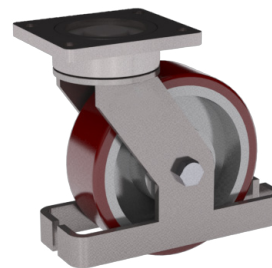
A polyurethane lock roller engages a steel brake shoe against the tread of the wheel providing positive engagement of the tread. Levers can be mounted "toe out" (shown) or reversed to "toe in."



Pneumatic Poly Cam (PP)

Similar to the standard poly cam brake in operation, the pneumatic poly cam brake offers a greater movement of the brake shoe to compensate for pneumatic tires. The brake is foot operated.

MISCELLANEOUS OPTIONS

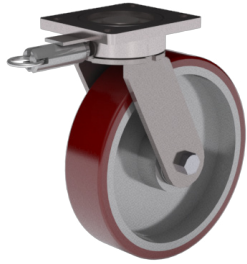


Toe Guard (TG)

The toe guard is mounted approximately one half of an inch off the floor to help protect workers' feet. It can be used in both manual and power applications.

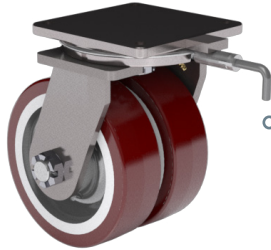


SWIVEL LOCK TYPES



Swivel Lock (L)

The swivel lock provides notches every ninety degrees for use in straight line movement of the cart. Also available in 1, 3 or 8 position.



Heavy Duty (HDL)

The heavy duty swivel lock provides a longer, more accessible handle made from machined steel.



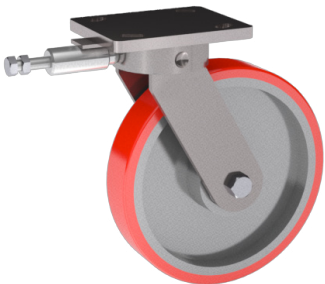
Demountable (DL)

The demountable swivel lock is a field-installed option available for casters up to the 71 Series.



Heavy-Duty Demountable (DHDL)

The heavy-duty demountable swivel lock is a field-installed option available for the 80s and 90s Series of casters.



Passive (PL)

The passive swivel lock is used when full mobility of a unit is needed. The swivel lock plunger engages a detent and locks the caster for straight line movement. When side thrust is applied, the swivel unlocks providing maximum maneuverability of the unit. This swivel lock is NOT RECOMMENDED for towed applications.



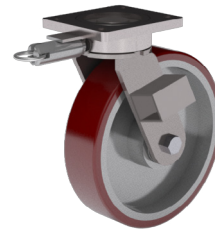
Vertical Mounted (V)

The vertical mounted swivel lock is mounted out of the way, under the yoke base of the caster. Used mostly in heavy duty applications, this swivel lock provides a more secure locking feature.

OTHER OPTIONS



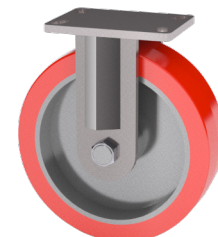
Threaded Zerks



Caster with Steering Tubes



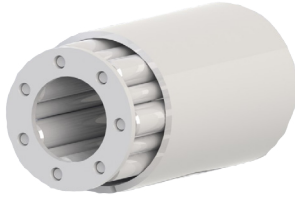
Track Brush Wiper



Angle Reinforced Legs

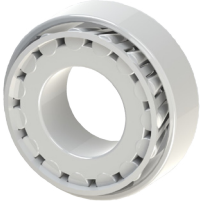


BEARING TYPES



Roller Bearings

The roller bearing is capable of carrying a greater load than the same size diameter ball bearing. It has a split outer race shell into which the roller assembly is inserted. The bearings are contained by hardened washers.



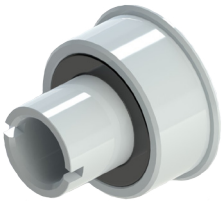
Precision Tapered Bearings

The precision tapered bearing is the most effective bearing for heavy loads. It is capable of absorbing excessive side thrust loading and can be used where high speed operation is essential. Bearings should be periodically inspected to ensure proper adjustment.



Precision Sealed Ball Bearings

Recommended for maximum rolling ease with no maintenance lubrication required. Quiet operation for medium-duty to heavy-duty loads. Not suggested for severe side or impact loads.



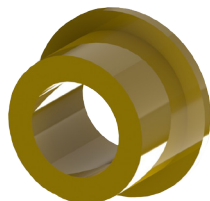
Annular Ball Bearing

Bearings are machined with hardened raceways. Ideal for applications where maximum rolling ease and quiet operation are needed. Best suited for light to medium-duty loads. Bearing is pre-assembled and the entire unit is mounted in the wheel.



Delrin Bearings

Delrin bearings are extremely durable under a wide range of temperatures, humid conditions and are corrosion resistant. Wheels with the Delrin bearings are well suited for applications such as steam cleaning or where excessive water or liquid is present.

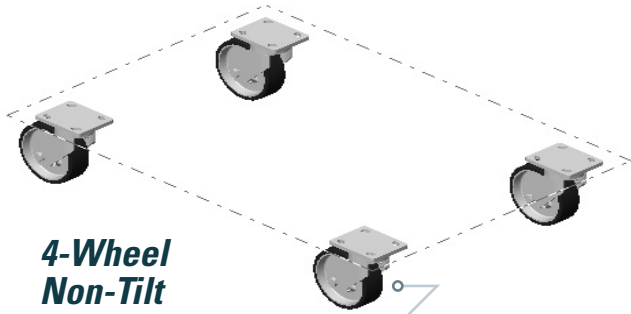


Oilite and Bronze Bearings

Oilite bearings are impregnated with oil that self lubricates during use. It is resistant to corrosion and suited for wet applications, slow speeds, high heat and very low maintenance.

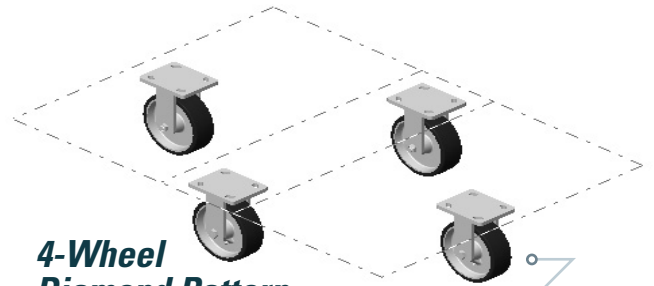


CASTER COMBINATIONS



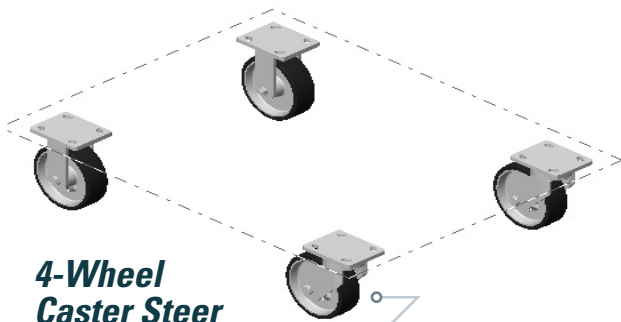
**4-Wheel
Non-Tilt**
(all swivels)

This cart configuration can be maneuvered in any direction. Ideal for confined areas, but needs swivel lock for traveling long distances in a straight line.



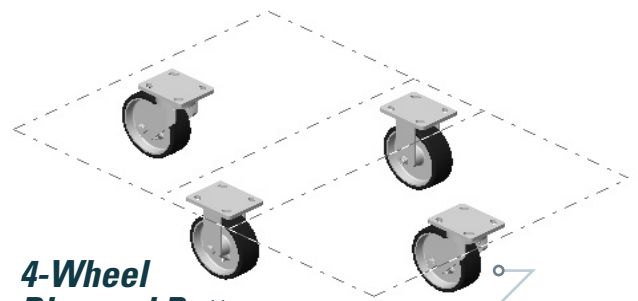
**4-Wheel
Diamond Pattern**
(all rigid)

This tilt-type cart configuration rotates or pivots on the center wheels. This is the lowest cost cart configuration and is suitable for light loads. This design cannot be pushed sideways.



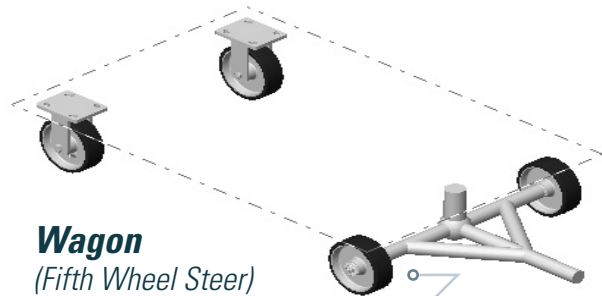
**4-Wheel
Caster Steer**
(2 swivels, 2 rigid)

This cart configuration is the most popular. It is easily turned or pushed straight and it also trails well.



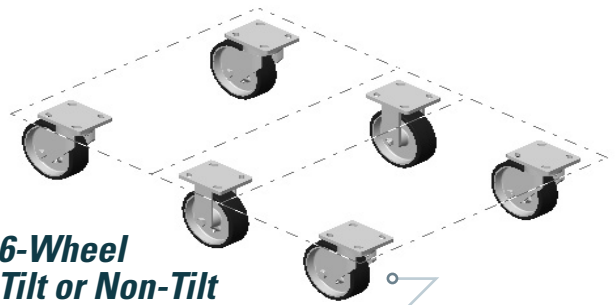
**4-Wheel
Diamond Pattern**
(2 swivels, 2 rigid)

This cart configuration is highly maneuverable and will rotate in its own length.



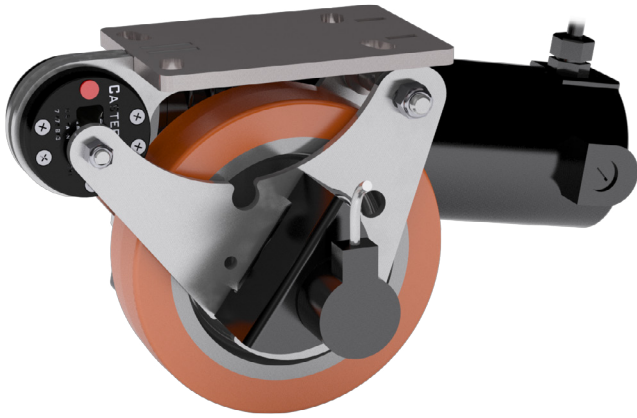
Wagon
(Fifth Wheel Steer)

This trailer configuration features large axle mounted wheels for heavy loads. This is usually powered drawn.



**6-Wheel
Tilt or Non-Tilt**
(2 swivel, 2 rigid)

This cart configuration is recommended for heavy loads and extra long trucks. It turns in its own length. The casters on the corners provide stability.



FEATURES

Motor: 1/4HP or 1/2HP motor available, single unit integrates caster and motor.

Optional Control Units: DC Control unit includes 24 VDC battery, charger, battery meter, Control Module with FW/RV and On/Off switch.

AC Control unit includes 120 VAC plug interface, control module with FW/RV, On/Off switch & emergency stop button.

Speeds: 2-5 mph depending on payload, wheel size and floor conditions.

Steering: Tank steering for easier maneuvering.

Wheels: 6" to 12" diameter wheels

BENEFITS

Drive Caster® is designed to make moving materials easier. This motor driven caster, is powered by a 1/4hp or 1/2hp electric motor, that can move up to 6,000lbs total weight per caster. Add another drive caster and double the weight your moving.

APPLICATIONS

Excellent for production cart systems, dollies, walls, platforms turntables and other applications where ergonomics are concerns. Just add a control module and a battery and you have a complete powered cart. Can be easily integrated into varying devices, making mobility essentially effortless for the operator.

Top Plate

Customized casters are an every day event for Caster Concepts. We have helped customize top plates for our customers to fit an exact top plate size and bolt hole spacing. This includes and not limited to metric sizes and multiple bolt holes in one top plate to standardize with one caster.

OPTIONS

Motors:

1/4HP or 1/2HP: 24 VDC

1/4HP or 1/2HP: 120 VAC

Suspension:

Shock Absorbing: CasterShoX® Unit

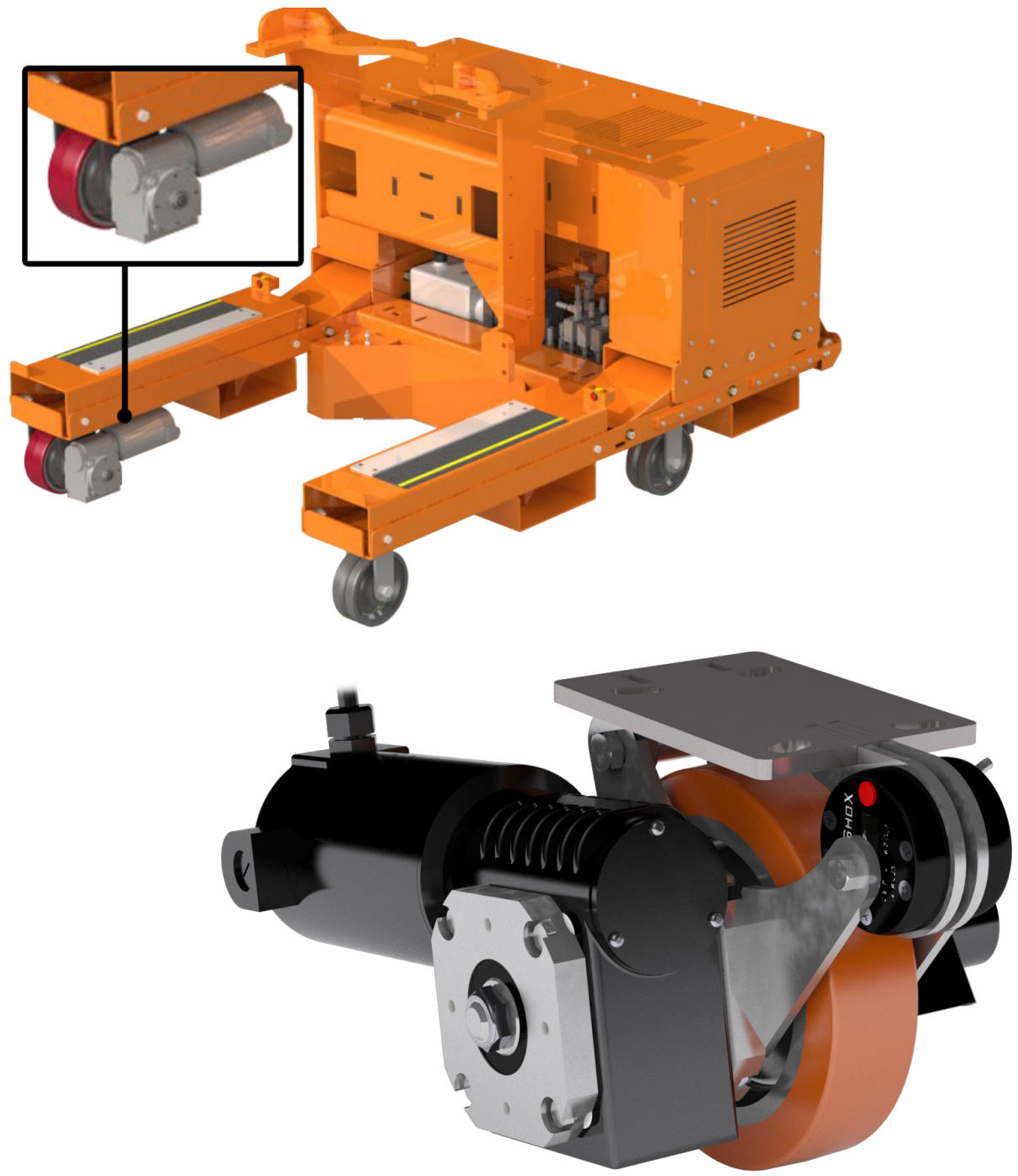
Accessories:

Encoder

Tank Steering

WHEEL		MOTOR			CAPACITY	
Diameter	VAC	VDC	Horsepower	Speed	Load Capacity	Drive Load Capacity
6	120	24	1/4	2-3 mph*	1,000	3,000
8	120	24	1/4	2-3 mph*	1,000	3,000
8	120	24	1/2	3-5 mph*	2,000	6,000
10	120	24	1/2	3-5 mph*	2,000	6,000
12	120	24	1/2	3-5 mph*	2,000	6,000

** Speeds: Depend on payload, wheel size and floor conditions
All dimensions are in inches. All weights are in pounds.*





Item Shown: 57-08202-61-1XD9

FEATURES

Swivel Section: Available in a standard kingpinless style swivel (51 Series) or a maintenance free kingpinless style swivel (57 Series)

Legs: 1/4" x 2" steel, formed and continuously welded on the inside and outside to the yoke base.

Wheels: 6" to 8" diameter wheels are available with sealed precision ball bearings.

Finish: Clear zinc plating.

BENEFITS

The ultimate Noise Reducing Caster! CasterShoX[®] integrates a shock absorption unit into the center of the caster wheel, addressing the shock at the source, virtually eliminating noise and vibration instantly. The patented Shock Absorption unit is very different from traditional metal coiled springs, which continue to expand and contract continuously until shock is fully dissipated, CasterShoX[®] work like shock absorbers on a vehicle and stop the vibration quickly.

OPTIONS

Brakes:

Poly Lock: P*

Face Contact: F

Swivel Locks:

Factory Installed: L

Demountable: DL

Passive: PL

Sealed Swivel: SSW**

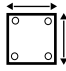
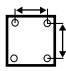

Toe Guard: TG

**For wheels with diameter >6*

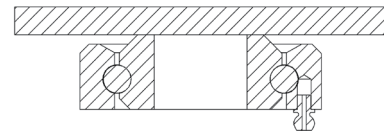
*** Available in the 51 series, 57 series is presealed*

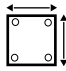
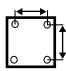

APPLICATIONS

CasterShoX[®] casters are ideal for instances where workplace safety relating to hearing conservation is a concern. CasterShoX[®] casters have the ability to reduce workplace noise levels by as much as 15 dba. In addition, CasterShoX[®] casters work great for transporting fragile components, or meeting ergonomic requirements.

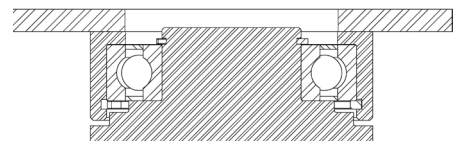
		
Top Plate Size	Bolt Hole Spacing	Bolt Diameter
Std: 4.0 x 5.0	2.625 x 3.625 Slotted to 3.0 x 3.0	0.375
OT 60: 4.5 x 6.25	2.438 x 4.938 Slotted to 3.375 x 5.25	0.5
OT 70: 5.0 x 7.25	3.375 x 5.25 Slotted to 4.125 x 6.125	0.5

51 Series Cross Sectional View



		
Top Plate Size	Bolt Hole Spacing	Bolt Diameter
Std: 4.5 x 6.25	2.438 x 4.938 Slotted to 3.375 x 5.25	0.5
OT 70: 5.0 x 7.25	3.375 x 5.25 Slotted to 4.125 x 6.125	0.5

57 Series Cross Sectional View



WHEEL				CAPACITY			PART NUMBER		
Dia.	Width	Material	Series	Precision Ball	OAH	Swivel Lead	Precision Ball	Swivel Radius	Wt.
6	2.00	T/R Polyurethane	9	1,000	8.00	3.00	51-06202-61-1XD9	6.08	9.57
6	2.00	T/R Polyurethane	8	750	8.00	3.00	51-06202-61-1XD8	6.08	9.57
6	2.00	T/R Polyurethane	7	400	8.00	3.00	51-06202-61-1XD7	6.08	9.57
6	2.00	T/R Polyurethane	6	200	8.00	3.00	51-06202-61-1XD6	6.08	9.57
8	2.00	T/R Polyurethane	9	1,000	10.13	3.00	51-08202-61-1XD9	7.07	12.58
8	2.00	T/R Polyurethane	8	750	10.13	3.00	51-08202-61-1XD8	7.07	12.58
8	2.00	T/R Polyurethane	7	400	10.13	3.00	51-08202-61-1XD7	7.07	12.58
8	2.00	T/R Polyurethane	6	200	10.13	3.00	51-08202-61-1XD6	7.07	12.58
6	2.00	T/R Polyurethane	9	1,000	8.50	2.75	57-06202-61-1XD9	5.84	11.57
6	2.00	T/R Polyurethane	8	750	8.50	2.75	57-06202-61-1XD8	5.84	11.57
6	2.00	T/R Polyurethane	7	400	8.50	2.75	57-06202-61-1XD7	5.84	11.57
6	2.00	T/R Polyurethane	6	200	8.50	2.75	57-06202-61-1XD6	5.84	11.57
8	2.00	T/R Polyurethane	9	1,000	10.50	2.75	57-08202-61-1XD9	6.82	15.30
8	2.00	T/R Polyurethane	8	750	10.50	2.75	57-08202-61-1XD8	6.82	15.30
8	2.00	T/R Polyurethane	7	400	10.50	2.75	57-08202-61-1XD7	6.82	15.30
8	2.00	T/R Polyurethane	6	200	10.50	2.75	57-08202-61-1XD6	6.82	15.30

Capacity listed is for manual operation. For powered operations, consult factory.
 Part Numbers listed are for the swivel casters. For rigid casters, change the last digit from 1 to 2 (i.e. 50-08202-61-2XD7 or 57-08202-61-2XD7)
 Estimated weight is for swivel caster. Deduct 20 percent of swivel caster weight for rigid casters.
 All dimensions are in inches. All weights are in pounds.
 These can also be manufactured in HPPT and T/R-95 material tires. For HPPT, the -61- would change to -90- and for T/R-95, the -61- would change to -91-.



CASTERSHOX CASTERS WERE USED ON OIL CONSUMPTION CARTS TO ELIMINATE THE CRACKING OF THE PREVIOUS SWIVEL SECTIONS AFTER A FEW MONTHS OF USE.



FEATURES

TWERGO® (Twin or Triple Wheel ERGOⁿomic) wheels are designed to achieve unparalleled ergonomic benefits, including reduced initial and continuous push force, and a reduction in force required to turn and maneuver. Furthermore, TWERGO® wheels can help increase productivity by reducing or maintaining existing push force, while increasing the load capacity.

TWERGO® wheel's unique tread thickness and twin wheel design minimizes friction and eliminates scrubbing and sliding when turning, while providing the impact resistance of normal wheels. These features give TWERGO® wheels superior performance in reducing ergonomic forces in manual operations and reducing power consumption in automated applications.

The multiple wheel design is anchored by a robust spanner that improves on existing wheel designs. The wheel hub features aluminum die-cast cores for maximum strength.

BENEFITS

- Benefits of TWERGO® include:
- Reduce Initial push force by an average of 25 percent.
 - Independently Rotating Wheels reduce scrubbing and push force exerted to turn and maneuver.
 - Aluminum Core is lighter weight and resists corrosion.
 - Increase Load and Productivity without increasing push force.

OPTIONS

Dual / Triple Wheels

- Dual wheels2" width
- Triple wheels3" width

**Multiple wheels based on application/needs*

APPLICATIONS

Excellent in any inside applications where ergonomics are a concern. Used in AGV applications to extend wheel life and reduce power consumption.

Designed for a wide variety of industrial applications, TWERGO® wheels provide easier movement of loaded carts or vehicles.

Wheel Materials:

ErgoTread: Reduces force exerted by returning energy

T/R-85A Polyurethane: A soft yet strong material, with a high resistance to tearing, T/R 85 resists debris and does not mark or damage most flooring

T/R-95A Polyurethane: High tear and debris resistance in a harder wheel, increases weight capacity but a little harsher on flooring

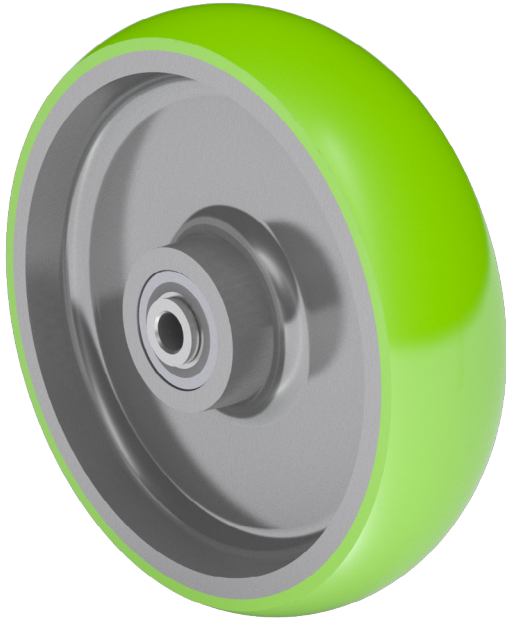
Hard Polyurethane (70D): Very hard material, for heavier loads

MORE ON TWERGO

For optimal ergonomic benefit, we recommend using TWERGO® Lite wheels on our ErgoMaxx line of kingpinless, maintenance-free ergonomic rigs, including the 37, 55, 57 and 87 Series.

WHEEL					CAPACITY	PART NUMBER	
Dia.	Width	Material	Hub Length	Bore	Precision Ball	Precision Ball	Wt.
4	2.00	T/R Polyurethane	2 7/16	1/2	600	04202-93-08	1.77
4	2.00	T/R-95 Polyurethane	2 7/16	1/2	1,000	04202-94-08	1.77
4	2.00	Hard Polyurethane (70D)	2 7/16	1/2	900	04202-97-08	1.77
4	2.00	ErgoTread	2 7/16	1/2	570	04202-44-08	1.77
4	3.00	T/R Polyurethane	3 1/2	3/4	1,020	04302-93-12	2.54
4	3.00	T/R-95 Polyurethane	3 1/2	3/4	1,575	04302-94-12	2.54
4	3.00	Hard Polyurethane (70D)	3 1/2	3/4	1,530	04302-97-12	2.54
4	3.00	ErgoTread	3 1/2	3/4	970	04302-44-12	2.54
5	2.00	T/R Polyurethane	2 7/16	1/2	840	05202-93-08	2.73
5	2.00	T/R-95 Polyurethane	2 7/16	1/2	1,170	05202-94-08	2.73
5	2.00	Hard Polyurethane (70D)	2 7/16	1/2	1,260	05202-97-08	2.73
5	2.00	ErgoTread	2 7/16	1/2	800	05202-44-08	2.73
5	3.00	T/R Polyurethane	3 1/2	3/4	1,225	05302-93-12	3.97
5	3.00	T/R-95 Polyurethane	3 1/2	3/4	1,755	05302-94-12	3.97
5	3.00	Hard Polyurethane (70D)	3 1/2	3/4	1,836	05302-97-12	3.97
5	3.00	ErgoTread	3 1/2	3/4	1,160	05302-44-12	3.97
6	2.00	T/R Polyurethane	2 7/16	1/2	960	06202-93-08	3.12
6	2.00	T/R-95 Polyurethane	2 7/16	1/2	1,400	06202-94-08	3.12
6	2.00	Hard Polyurethane (70D)	2 7/16	1/2	1,440	06202-97-08	3.12
6	2.00	ErgoTread	2 7/16	1/2	910	06202-44-08	3.12
6	3.00	T/R Polyurethane	3 1/2	3/4	1,640	06302-93-12	4.56
6	3.00	T/R-95 Polyurethane	3 1/2	3/4	2,070	06302-94-12	4.56
6	3.00	Hard Polyurethane (70D)	3 1/2	3/4	2,460	06302-97-12	4.56
6	3.00	ErgoTread	3 1/2	3/4	1,560	06302-44-12	4.56
8	2.00	T/R Polyurethane	2 7/16	1/2	1,240	08202-93-08	4.65
8	2.00	T/R-95 Polyurethane	2 7/16	1/2	1,800	08202-94-08	4.65
8	2.00	Hard Polyurethane (70D)	2 7/16	1/2	1,860	08202-97-08	4.65
8	2.00	ErgoTread	2 7/16	1/2	1,180	08202-44-08	4.65
8	3.00	T/R Polyurethane	3 1/2	3/4	2,000	08302-93-12	6.86
8	3.00	T/R-95 Polyurethane	3 1/2	3/4	2,800	08302-94-12	6.86
8	3.00	Hard Polyurethane (70D)	3 1/2	3/4	3,000	08302-97-12	6.86
8	3.00	ErgoTread	3 1/2	3/4	1,900	08302-44-12	6.86
10	2.00	T/R Polyurethane	2 7/16	1/2	1,600	10202-93-08	6.06
10	2.00	T/R-95 Polyurethane	2 7/16	1/2	2,500	10202-94-08	6.06
10	2.00	Hard Polyurethane (70D)	2 7/16	1/2	2,500	10202-97-08	6.06
10	2.00	ErgoTread	2 7/16	1/2	1,520	10202-44-08	6.06
10	3.00	T/R Polyurethane	3 1/2	3/4	2,400	10302-93-12	8.97
10	3.00	T/R-95 Polyurethane	3 1/2	3/4	3,100	10302-94-12	8.97
10	3.00	Hard Polyurethane (70D)	3 1/2	3/4	3,600	10302-97-12	8.97
10	3.00	ErgoTread	3 1/2	3/4	2,280	12302-44-12	8.97
12	3.00	T/R Polyurethane	3 1/2	3/4	2,800	12302-93-12*	11.60
12	3.00	T/R-95 Polyurethane	3 1/2	3/4	3,400	12302-94-12*	11.60
12	3.00	Hard Polyurethane (70D)	3 1/2	3/4	4,200	12302-97-12*	11.60
12	3.00	ErgoTread	3 1/2	3/4	2,660	12302-44-12	11.60

* 12" diameter wheel only has two wheels for 3" wide design.



FEATURES

The single wheel version of our extraordinary TWERGO® wheels, utilizes the same patented face design to reduce initial and continuous push force. TWERGO® Lite makes it easier to push a cart, reducing the amount of energy exerted by the operator.

TWERGO® Lite is the ultimate 2" wide wheel. It is designed to replace standard caster wheels by adding significant ergonomic benefits, without significantly increasing the price. TWERGO® Lite has a cast iron core, making it durable and strong enough to handle challenging environments. A tapered tread design helps to resist debris and push it away.

Wheels: 5" to 8" diameter wheels.

BENEFITS

The benefits of TWERGO® Lite include:

- Ergonomic, reduce force exerted to start and continue rolling
- Durable and Strong with a Cast Iron Core
- Maintenance Free, bearings never need greasing

APPLICATIONS

TWERGO® Lite is a great replacement to the conventional cast iron wheel, it offers the same cast iron core, while adding ergonomic benefits, making it a great choice for indoor applications like:

- Carts and Racks
- AGV's and Tug Trains

OPTIONS

Wheel Materials:

ErgoTread: Reduces force exerted by returning energy

T/R-85A Polyurethane: A soft yet strong material, with a high resistance to tearing, T/R-85 resists debris and does not mark or damage most flooring

T/R-95A Polyurethane: High tear and debris resistance in a harder wheel, increases weight capacity but a little harsher on flooring

MORE ON TWERGO

For optimal ergonomic benefit, we recommend using TWERGO® Lite wheels on our ErgoMaxx line of kingpinless, maintenance-free ergonomic rigs, including the 37, 55, 57 and 87 Series.

WHEEL					CAPACITY	PART NUMBER	
Dia.	Width	Material	Hub Length	Bore	Precision Ball	Precision Ball	Wt.
5	2.00	T/R Polyurethane	2 7/16	1/2	840	05202-46-08	3.00
5	2.00	T/R-95 Polyurethane	2 7/16	1/2	1,170	05202-47-08	3.00
5	2.00	ErgoTread	2 7/16	1/2	800	<u>05202-42-08</u>	3.00
6	2.00	T/R Polyurethane	2 7/16	1/2	960	<u>06202-46-08</u>	4.50
6	2.00	T/R-95 Polyurethane	2 7/16	1/2	1,400	<u>06202-47-08</u>	4.50
6	2.00	ErgoTread	2 7/16	1/2	900	<u>06202-42-08</u>	4.50
8	2.00	T/R Polyurethane	2 7/16	1/2	1,240	<u>08202-46-08</u>	8.00
8	2.00	T/R-95 Polyurethane	2 7/16	1/2	1,800	<u>08202-47-08</u>	8.00
8	2.00	ErgoTread	2 7/16	1/2	1,800	<u>08202-42-08</u>	8.00



27 SERIES LIGHT DUTY

350 LBS maximum capacity



Item Shown: 27-06202-61-1

FEATURES

Swivel Section: Sealed precision ball bearing with hardened raceways and neoprene seals.

Legs: 1/4" x 1-1/2" steel, formed and continuously welded on the inside and outside to the yoke base

Kingpin: Kingpinless style design.

Axle: 1/2" diameter.

Lubrication: Sealed ball bearing is lubricated and requires zero maintenance.

Wheels: 4" to 8" diameter wheels are available with sealed precision ball bearings.

Finish: Zinc plated for corrosion resistance.

BENEFITS

The 27 Series is maintenance free with its sealed precision ball bearings in the swivel section and in the wheels. The smooth rotation and extended lead lowers ergonomic forces.

OPTIONS

Brakes:

Poly Lock: P*
Face Contact: F

Swivel Locks:

Factory Installed: L
Demountable: DL

Toe Guard: TG

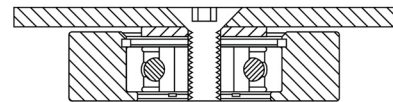
*For wheels with diameter ≥6

APPLICATIONS

Excellent for daughter carts in mother/daughter type production cart systems, production racks and fixtures, parts bins, conveyor systems, and other applications where maintenance free casters and ergonomics are concerns.

Top Plate Size	Bolt Hole Spacing	Bolt Diameter
Std: 4.0 x 4.50	2.625 x 3.625 Slotted to 3.0 x 3.0	0.375

27 Series Cross Sectional View



WHEEL			CAPACITY			PART NUMBER		
Dia.	Width	Material	Precision Ball	OAH	Swivel Lead	Precision Ball	Swivel Radius	Wt.
4	2.00	Phenolic	350	5.63	2.25	<u>27-04204-30-1*</u>	4.37	5.41
4	2.00	T/R Polyurethane	350	5.63	2.25	<u>27-04204-61-1*</u>	4.37	7.35
4	2.00	T/R-95 Polyurethane	350	5.63	2.25	<u>27-04204-91-1*</u>	4.37	7.35
4	2.00	HPPT Polyurethane	350	5.63	2.25	<u>27-04204-90-1*</u>	4.37	7.35
5	2.00	Phenolic	350	6.5	2.25	<u>27-05204-30-1*</u>	4.85	6.37
5	2.00	T/R Polyurethane	350	6.5	2.25	<u>27-05202-61-1</u>	4.85	9.83
5	2.00	T/R-95 Polyurethane	350	6.5	2.25	<u>27-05202-91-1</u>	4.85	9.83
5	2.00	HPPT Polyurethane	350	6.5	2.25	<u>27-05202-90-1</u>	4.85	9.83
6	2.00	Phenolic	350	7.5	2.25	<u>27-06204-30-1*</u>	5.34	7.19
6	2.00	T/R Polyurethane	350	7.5	2.25	<u>27-06202-61-1</u>	5.34	10.44
6	2.00	T/R-95 Polyurethane	350	7.5	2.25	<u>27-06202-91-1</u>	5.34	10.44
6	2.00	HPPT Polyurethane	350	7.5	2.25	<u>27-06202-90-1</u>	5.34	10.44
8	2.00	Phenolic	350	10.12	2.25	<u>27-08204-30-1*</u>	6.33	8.83
8	2.00	T/R Polyurethane	350	10.12	2.25	<u>27-08202-61-1</u>	6.33	13.46
8	2.00	T/R-95 Polyurethane	350	10.12	2.25	<u>27-08202-91-1</u>	6.33	13.46
8	2.00	HPPT Polyurethane	350	10.12	2.25	<u>27-08202-90-1</u>	6.33	13.46

Capacity listed is for manual operation. For powered operations, consult factory.
 Part numbers listed are for the swivel caster. For rigid casters, change the last digit from 1 to 2 (i.e. 27-04204-30-2)
 Estimated weight is for the swivel caster. Deduct 20% of swivel caster weight for rigid caster.
 * These casters have annular ball bearings.
 All dimensions are in inches. All weights are in pounds.

30 SERIES MEDIUM DUTY

900 LBS maximum capacity



Item Shown: 30-06201-RI-1C

FEATURES

Swivel Section: Cold forged out of 1/4" steel, the swivel section includes high-strength double row ball bearings in smooth raceways.

Legs: 1/4" steel formed for strength.

Kingpin: 5/8" diameter kingpin.

Axle: 1/2" diameter.

Lubrication: Pre-lubricated before shipping.

Wheels: 4" to 8" diameter wheels are available with straight roller bearings or ball bearings for ease in rolling.

Finish: Zinc plated for corrosion resistance.

BENEFITS

The 30 Series is constructed of cold forged steel and is recommended for medium duty applications.

OPTIONS

Brakes:

Cam: C*

Swivel Locks:

Factory Installed: L

Demountable: DL

Sealed Wheels:

..... SW

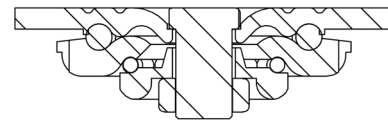
*For wheels with diameter >6

APPLICATIONS

Excellent for dollies, waste disposal trucks, warehouse trucks, proof or cooling racks, portable work benches, floor trucks, shop carts, drywall dollies, trailer frames, wire shelving units, tool boxes, laundry distribution carts, manual lifting devices, unitized dairy distribution carts and other medium duty applications.

Top Plate Size	Bolt Hole Spacing	Bolt Diameter
Std: 4.0 x 4.5	2.625 x 3.625 Slotted to 3.0 x 3.0	0.375
OT 35: 5.0 x 5.5	4.12 x 4.50	0.375

30 Series Cross Sectional View

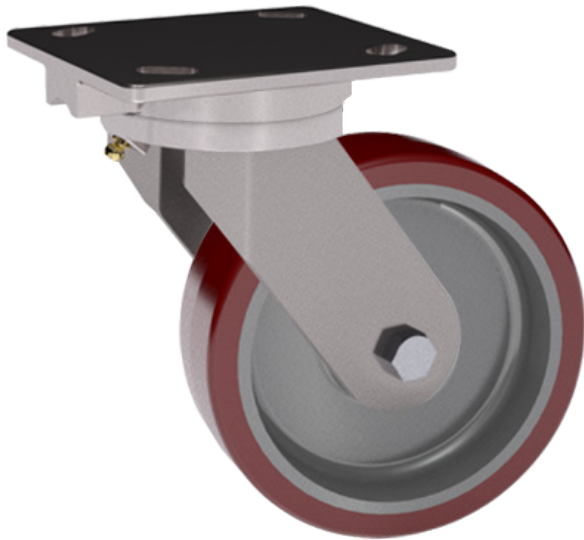


WHEEL			CAPACITY			PART NUMBER		
Dia.	Width	Material	Roller Bearing	OAH	Swivel Lead	Straight Roller	Precision Ball	Wt.
4	1.50	Forged Steel	900	5.63	1.38	<u>30-04101-20-1</u>		6.00
4	2.00	Phenolic Resin	700	5.63	1.38	<u>30-04201-30-1</u>		6.50
4	2.00	Standard Polyurethane	750	5.63	1.38	<u>30-04201-60-1</u>		7.50
4	2.00	H.D. T/R Polyurethane	600	5.63	1.38	<u>30-04201-66-1</u>	30-04202-66-1	7.50
5	2.00	Forged Steel	900	6.50	1.69	<u>30-05201-20-1</u>		8.00
5	2.00	Phenolic Resin	900	6.50	1.69	<u>30-05201-30-1</u>		7.00
5	2.00	Standard Polyurethane	900	6.50	1.69	<u>30-05201-60-1</u>		9.00
5	2.00	T/R Polyurethane	800	6.50	1.69	<u>30-05201-61-1</u>	30-05202-61-1	8.00
6	2.00	Forged Steel	900	7.50	2.00	<u>30-06201-20-1</u>		10.00
6	2.00	Phenolic Resin	900	7.50	2.00	<u>30-06201-30-1</u>		8.00
6	2.00	Standard Polyurethane	900	7.50	2.00	<u>30-06201-60-1</u>	30-06202-60-1	10.00
6	2.00	T/R Polyurethane	900	7.50	2.00	<u>30-06201-61-1</u>	30-06202-61-1	9.00
8	2.00	Phenolic Resin	900	9.50	2.38	<u>30-08201-30-1</u>		9.00
8	2.00	Polyurethane	900	9.50	2.38	<u>30-08201-60-1</u>	30-08202-60-1	10.00
8	2.00	Soft Polyurethane	900	9.50	2.38	<u>30-08201-61-1</u>	30-08202-61-1	9.00

Capacity listed is for manual operation. For powered operations, consult factory.
Part numbers listed are for the swivel caster. For rigid casters, change the last digit from 1 to 2 (i.e. 30-06201-30-2)
Estimated weight is for the swivel caster. Deduct 20% of swivel caster weight for rigid caster.
* These casters have annular ball bearings.
All dimensions are in inches. All weights are in pounds.

37 SERIES MEDIUM DUTY

750 ^{lbs} maximum capacity



Item Shown: 37-05202-65-1

FEATURES

Swivel Section: Sealed precision ball bearing with hardened raceways and neoprene seals.

Legs: 1/4" x 1.5" steel, formed and continuously welded on the inside and outside to the yoke base.

Wheels: 4" to 8" diameter wheels are available with sealed precision ball bearings.

Axle: 1/2" diameter.

Finish: Clear zinc plating.

BENEFITS

The 37 Series is maintenance free with its sealed precision ball bearings in the swivel section and in the wheels. The smooth rotation and extended lead lowers ergonomic forces.

OPTIONS

Brakes:

Poly Lock: P*

Face Contact: F

Swivel Locks:

Factory Installed: L

Demountable: DL

Toe Guard: TG

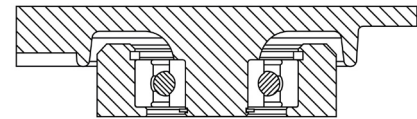
*For wheels with diameter ≥ 6

APPLICATIONS

Excellent for daughter carts in mother/daughter type production cart systems, production racks and fixtures, parts bins, manual push carts, conveyor systems, and other applications where maintenance free casters and ergonomics are concerns.

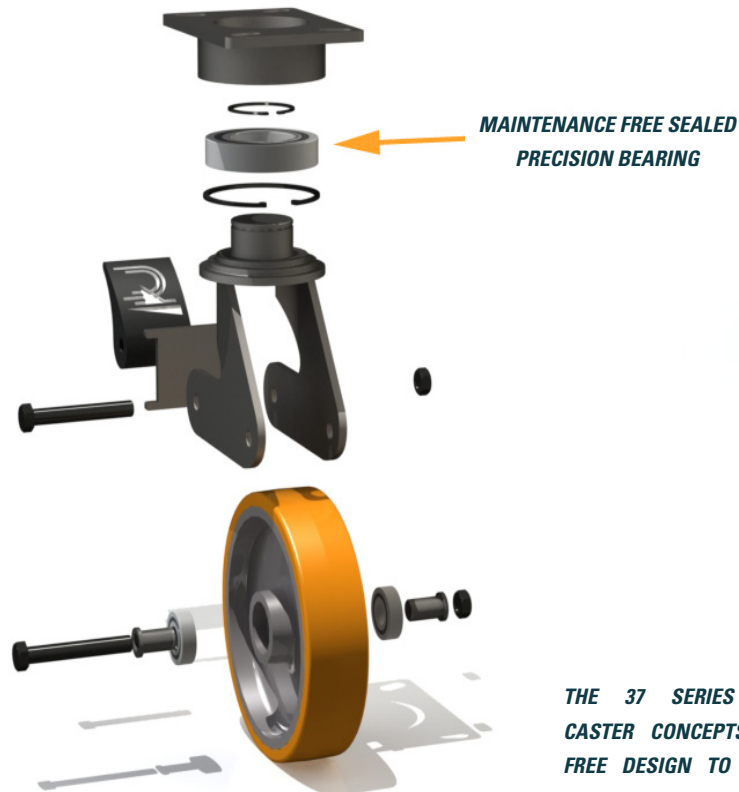
Top Plate Size	Bolt Hole Spacing	Bolt Diameter
Std: 4.0 x 5.0	2.625 x 3.625 Slotted to 3.0 x 3.0	0.375

37 Series Cross Sectional View



WHEEL			CAPACITY			PART NUMBER		
Dia.	Width	Material	Precision Ball	OAH	Swivel Lead	Precision Ball	Swivel Radius	Wt.
4	2.00	Phenolic	750	5.63	2.25	37-04204-30-1*	4.36	5.41
4	2.00	T/R Polyurethane	600	5.63	2.25	37-04204-61-1*	4.36	7.35
4	2.00	T/R-95 Polyurethane	750	5.63	2.25	37-04204-91-1*	4.36	7.35
4	2.00	HPPT Polyurethane	750	5.63	2.25	37-04204-90-1*	4.36	7.35
5	2.00	Phenolic	750	6.5	2.25	37-05204-30-1*	4.85	6.37
5	2.00	T/R Polyurethane	750	6.5	2.25	37-05202-61-1	4.85	9.83
5	2.00	T/R-95 Polyurethane	750	6.5	2.25	37-05202-91-1	4.85	9.83
5	2.00	HPPT Polyurethane	750	6.5	2.25	37-05202-90-1	4.85	9.83
6	2.00	Phenolic	750	7.5	2.25	37-06204-30-1*	5.34	7.19
6	2.00	T/R Polyurethane	750	7.5	2.25	37-06202-61-1	5.34	10.44
6	2.00	T/R-95 Polyurethane	750	7.5	2.25	37-06202-91-1	5.34	10.44
6	2.00	HPPT Polyurethane	750	7.5	2.25	37-06202-90-1	5.34	10.44
8	2.00	Phenolic	750	10.12	2.25	37-08204-30-1*	6.32	8.83
8	2.00	T/R Polyurethane	750	10.12	2.25	37-08202-61-1	6.32	13.46
8	2.00	T/R-95 Polyurethane	750	10.12	2.25	37-08202-91-1	6.32	13.46
8	2.00	HPPT Polyurethane	750	10.12	2.25	37-08202-90-1	6.32	13.46

Capacity listed is for manual operation. For powered operations, consult factory.
 Part Numbers listed are for the swivel casters. For rigid casters, change the last digit from 1 to 2 (i.e. 37-08202-61-2)
 Estimated weight is for swivel caster. Deduct 20 percent of swivel caster weight for rigid casters.
 * This caster has annular ball bearings
 All dimensions are in inches. All weights are in pounds.

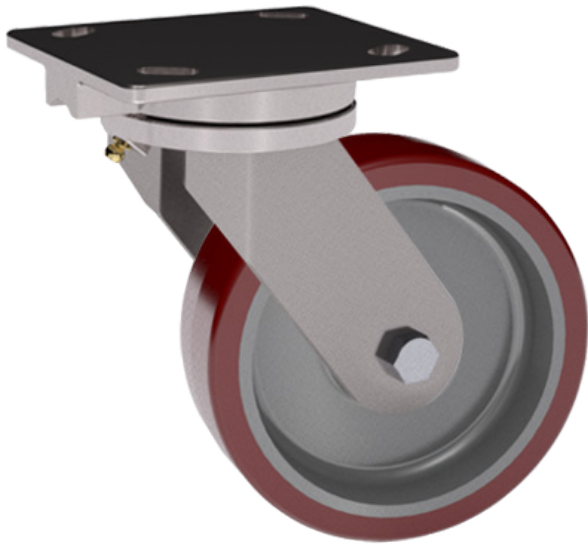


THE 37 SERIES INCORPORATES CASTER CONCEPTS MAINTENANCE FREE DESIGN TO CARRY A LOAD EVENLY OVER A RADIALLY LOADED PRECISION BALL BEARING.

50

SERIES MEDIUM HEAVY DUTY

1,500 ^{lbs} maximum capacity



Item Shown: 50-06201-60-1

FEATURES

Swivel Section: Constructed of hot forged SAE 1045 steel and built to the same dimensions as popular cold forged industrial casters. The 2-1/2" diameter load race is precision machined to a mirror smooth finish.

Legs: 1/4"x 2" formed steel and welded inside and outside to the yoke base.

Kingpin: 3/4" diameter, integrally forged as part of the top plate, machined concentric to the load race.

Axle: 1/2" diameter.

Lubrication: Pre-lubricated before shipping.

Wheels: 4" to 8" diameter wheels with straight roller bearings, ball bearings or tapered roller bearings.

Finish: Zinc plated for corrosion resistance.

BENEFITS

This heavy duty hot forged swivel caster is built for severe service. The hot forged, machined raceway with integral kingpin and steel bar formed and welded legs provides a stronger swivel with heavier section thickness. The long wearing characteristics of this caster will outperform cold forged or stamped casters in swivel applications.

OPTIONS

- Brakes:**
- Cam: C*
 - Poly Lock: P*
 - Wrap Around: W*
 - Dual Side: DS
 - Face Contact: F

- Swivel Locks:**
- Factory Installed: L
 - Demountable: DL
 - Passive: PL

- Sealed Swivel:** SSW
- Sealed Wheels:** SW
- Toe Guard:** TG
- Heat Treated Raceways:** HT

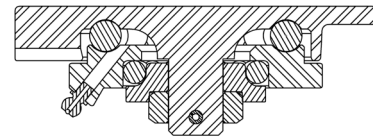
*For wheels with diameter >6

APPLICATIONS

Production racks and fixtures, live skids, unitized dairy distribution carts, automated guided vehicles, automated assembly lines.

Top Plate Size	Bolt Hole Spacing	Bolt Diameter
Std: 4.0 x 5.0	2.625 x 3.625 Slotted to 3.0 x 3.0	0.375

50 Series Cross Sectional View



WHEEL			CAPACITY				PART NUMBER			
Dia.	Width	Material	Roller Bearing	Precision Ball	OAH	Swivel Lead	Straight Roller	Precision Ball	Swivel Radius	Wt.
4	1.50	Forged Steel	1,400	1,400	5.63	1.50	<u>50-04101-20-1</u>	50-04109-20-1†	3.58	7.25
4	2.00	Phenolic Resin	800		5.63	1.50	<u>50-04201-30-1</u>		3.64	7.50
4	2.00	Cast Iron	1,000		5.63	1.50	<u>50-04201-10-1</u>		3.64	7.50
4	2.00	Standard Polyurethane	700	700	5.63	1.50	<u>50-04201-60-1</u>	50-04204-60-1	3.64	7.50
4	2.00	H.D. T/R Polyurethane	600	600	5.63	1.50	<u>50-04201-66-1</u>	50-04202-66-1	3.64	7.50
4	2.00	Mold On Rubber	350		5.63	1.50	<u>50-04201-70-1</u>		3.64	8.20
5	2.00	Forged Steel	1,500	1,500	6.50	1.75	<u>50-05201-20-1</u>	50-05209-20-1†	4.37	10.20
5	2.00	Cast Iron	1,200		6.50	1.75	<u>50-05201-10-1</u>		4.37	9.20
5	2.00	Phenolic Resin	1,000		6.50	1.75	50-05201-30-1		4.37	8.50
5	2.00	Standard Polyurethane	1,050	1,050	6.50	1.75	<u>50-05201-60-1</u>	50-05202-60-1	4.37	10.00
5	2.00	T/R Polyurethane	850	850	6.50	1.75	<u>50-05201-61-1</u>	50-05202-61-1	4.37	10.00
5	2.00	Mold On Rubber	400		6.50	1.75	<u>50-05201-70-1</u>		4.37	10.00
6	2.00	Forged Steel	1,500	1,500	7.50	2.25	<u>50-06201-20-1</u>	50-06209-20-1†	5.34	13.50
6	2.00	Cast Iron	1,200		7.50	2.25	<u>50-06201-10-1</u>		5.34	13.00
6	2.00	Phenolic Resin	1,200		7.50	2.25	<u>50-06201-30-1</u>		5.34	9.50
6	2.00	Standard Polyurethane	1,200	1,200	7.50	2.25	<u>50-06201-60-1</u>	50-06202-60-1	5.34	12.00
6	2.00	T/R Polyurethane	1,000	1,000	7.50	2.25	<u>50-06201-61-1</u>	50-06202-61-1	5.34	12.00
6	2.00	Mold On Rubber	425		7.50	2.25	<u>50-06201-70-1</u>		5.34	12.00
8	2.00	Cast Iron	1,500		10.12	2.25	<u>50-08201-10-1</u>		6.33	16.50
8	2.00	Phenolic Resin	1,400		10.12	2.25	<u>50-08201-30-1</u>		6.33	12.00
8	2.00	Standard Polyurethane	1,500	1,500	10.12	2.25	<u>50-08201-60-1</u>	50-08202-60-1	6.33	14.00
8	2.00	T/R Polyurethane	1,200	1,200	10.12	2.25	<u>50-08201-61-1</u>	50-08202-61-1	6.33	14.00
8	2.00	Mold On Rubber	500		10.12	2.25	<u>50-08201-70-1</u>		6.33	14.00

Capacity listed is for manual operation. For powered operations, consult factory.

Part Numbers listed are for the swivel caster. For rigid casters, change the last digit from 1 to 2 (i.e. 50-06201-60-2)

Estimated weight is for swivel caster. Deduct 20 percent of swivel caster weight for rigid casters.

† This caster has tapered bearings.

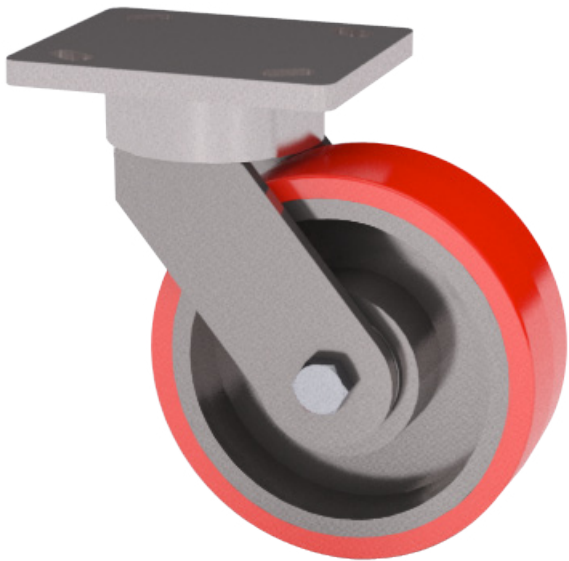
* This caster has annular ball bearings.

All dimensions are in inches. All weights are in pounds.

51

SERIES KINGPINLESS STYLE

1,500 ^{LBS} maximum capacity



Item Shown: 51-6002002-61-12

FEATURES

Swivel Section: High alloy swivel section is precision machined to accommodate 3/8" diameter ball bearings. Swivel sections are through hardened for durability.

Legs: 1/4" x 2" steel, formed and continuously welded inside and outside to the yoke base.

Kingpin: Kingpinless style design.

Axle: 1/2" diameter.

Lubrication: Pre-lubricated before shipping.

Wheels: 4" to 8" diameter wheels are available with straight roller bearings or ball bearings for ease in rolling.

Finish: Clear zinc plating.

BENEFITS

The 51 Series kingpinless style swivel bearings act as both load and thrust components to lock the swivel section together and distribute the load over a larger area. The hardened swivel sections and formed and welded legs provide the strength and durability necessary for use in applications where constant swiveling under load is necessary.

Sealed Swivel:..... SSW

Sealed Wheels:..... SW

Toe Guard:..... TG

**For wheels with diameter >6*

^Only available on roller bearing wheels.

OPTIONS

Brakes:

- Cam: C*
- Poly Lock: P*
- Wrap Around: W*^
- Dual Side: DS^
- Single Side: SS^
- Face Contact: F

Swivel Locks:

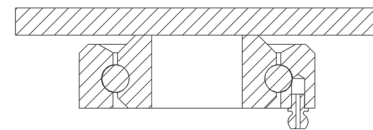
- Factory Installed: L
- Demountable: DL
- Passive: PL

APPLICATIONS

Excellent for light powered applications, bakery dough troughs, portable work benches, platform trucks, tow lines, utility carts, tooling fixtures, scrap metal carriers, drywall dollies, gantry cranes, automated guided vehicles, fiberglass lay-up molds, and other applications.

Top Plate Size	Bolt Hole Spacing	Bolt Diameter
Std: 4.0 x 5.0	2.625 x 3.625 Slotted to 3.0 x 3.0	0.375
OT 60: 4.5 x 6.25	2.438 x 4.938 Slotted to 3.375 x 5.25	0.5
OT 70: 5.0 x 7.25 x 0.38	3.375 x 5.25 Slotted to 4.125 x 6.125	0.5
OT 75: 6.0 x 7.0 x 0.38	4.62 x 5.5	0.5

51 Series Cross Sectional View



WHEEL			CAPACITY				PART NUMBER			
Dia.	Width	Material	Roller Bearing	Precision Ball	OAH	Swivel Lead	Straight Roller	Precision Ball	Swivel Radius	Wt.
4	1.50	Forged Steel	1,400	1,400	5.62	1.50	<u>51-04101-20-1</u>	51-04109-20-1†	3.58	7.25
4	2.00	Phenolic Resin	800		5.62	1.50	<u>51-04201-30-1</u>		3.64	7.50
4	2.00	Cast Iron	1,000		5.62	1.50	<u>51-04201-10-1</u>		3.64	7.50
4	2.00	Standard Polyurethane	700	700	5.62	1.50	<u>51-04201-60-1</u>	51-04204-60-1*	3.64	7.50
4	2.00	H.D. T/R Polyurethane	600	600	5.62	1.50	<u>51-04201-66-1</u>	51-04202-66-1	3.64	7.50
4	2.00	Mold On Rubber	350		5.62	1.50	<u>51-04201-70-1</u>		3.64	8.20
5	2.00	Forged Steel	1,500	1,500	6.50	1.75	<u>51-05201-20-1</u>	51-05209-20-1†	4.37	10.20
5	2.00	Cast Iron	1,200		6.50	1.75	<u>51-05201-10-1</u>		4.37	9.20
5	2.00	Phenolic Resin	1,000		6.50	1.75	<u>51-05201-30-1</u>		4.37	8.50
5	2.00	Standard Polyurethane	1,050	1,050	6.50	1.75	<u>51-05201-60-1</u>	51-05202-60-1	4.37	10.00
5	2.00	T/R Polyurethane	850	850	6.50	1.75	<u>51-05201-61-1</u>	51-05202-61-1	4.37	10.00
5	2.00	Mold On Rubber	400		6.50	1.75	<u>51-05201-70-1</u>		4.37	10.00
6	2.00	Forged Steel	1,500	1,500	7.50	2.25	<u>51-06201-20-1</u>	51-06209-20-1†	5.34	13.50
6	2.00	Cast Iron	1,200		7.50	2.25	<u>51-06201-10-1</u>		5.34	13.00
6	2.00	Phenolic Resin	1,200		7.50	2.25	<u>51-06201-30-1</u>		5.34	9.50
6	2.00	Standard Polyurethane	1,200	1,200	7.50	2.25	<u>51-06201-60-1</u>	51-06202-60-1	5.34	12.00
6	2.00	T/R Polyurethane	1,000	1,000	7.50	2.25	<u>51-06201-61-1</u>	51-06202-61-1	5.34	12.00
6	2.00	Mold On Rubber	425		7.50	2.25	<u>51-06201-70-1</u>		5.34	12.00
8	2.00	Cast Iron	1,500		10.12	2.25	<u>51-08201-10-1</u>		6.33	16.50
8	2.00	Phenolic Resin	1,400		10.12	2.25	<u>51-08201-30-1</u>		6.33	12.00
8	2.00	Standard Polyurethane	1,500	1,500	10.12	2.25	<u>51-08201-60-1</u>	51-08202-60-1	6.33	14.00
8	2.00	T/R Polyurethane	1,200	1,200	10.12	2.25	<u>51-08201-61-1</u>	51-08202-61-1	6.33	14.00
8	2.00	Mold On Rubber	500		10.12	2.25	<u>51-08201-70-1</u>		6.33	14.00

Capacity listed for manual operation. For powered operations consult factory.

Part numbers listed are for the swivel caster. For rigid casters, change series to 50 and change the last digit from 1 to 2 (ie: 50-06201-60-2).

Estimated weight is for the swivel caster, deduct 20% of swivel caster weight for rigid caster.

† This caster has tapered bearings.

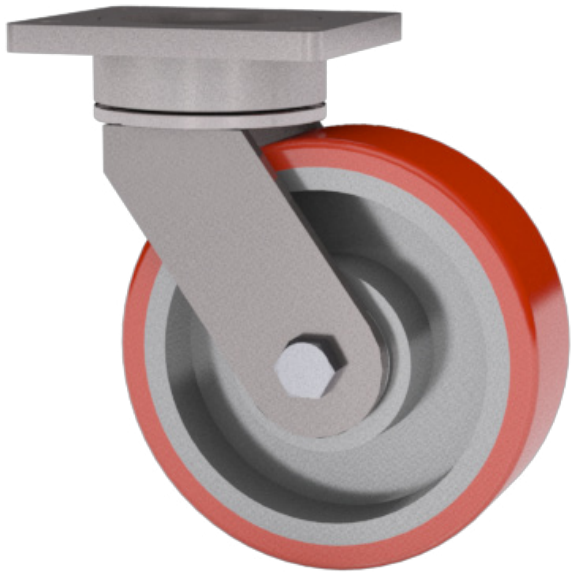
* This caster has annular ball bearings

All dimensions are in inches. All weights are in pounds.

55

SERIES KINGPINLESS STYLE

1,000 LBS maximum capacity



Item Shown: 55-6002002-91-12

FEATURES

Swivel Section: Sealed precision ball bearing with hardened raceways and neoprene seals.

Legs: 1/4" x 2" steel, formed and continuously welded on the inside and outside of the yoke base.

Kingpin: Kingpinless style design.

Axle: 1/2" diameter.

Lubrication: Sealed ball bearing is lubricated and requires zero maintenance.

Wheels: 4" to 8" diameter wheels are available with sealed precision ball bearings.

Finish: Clear zinc plating.

BENEFITS

The 55 Series is maintenance free with its sealed precision ball bearing in the swivel section and in the wheels. The smooth rotation and extended lead help lower ergonomic forces.

APPLICATIONS

Excellent for production racks and fixtures, parts bins, conveyer systems, and other applications where maintenance free casters and ergonomics are concerns.

OPTIONS

Brakes:

Cam: C*

Poly Lock: P*

Face Contact: F

Swivel Locks:

Factory Installed: L

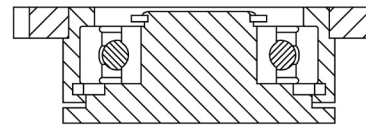
Demountable: DL

Toe Guard: TG

*For wheels with diameter >6

Top Plate Size	Bolt Hole Spacing	Bolt Diameter
Std: 4.0 x 5.0	2.625 x 3.625 Slotted to 3.0 x 3.0	0.375

55 Series Cross Sectional View



WHEEL			CAPACITY			PART NUMBER		
Dia.	Width	Material	Precision Ball	OAH	Swivel Lead	Precision Ball	Swivel Radius	Wt.
4	2.00	T/R Polyurethane	600	5.63	2.00	<u>55-04204-61-1*</u>	4.12	7.50
4	2.00	T/R-95 Polyurethane	1,000	5.63	2.00	<u>55-04204-91-1*</u>	4.12	7.50
4	2.00	HPPT Polyurethane	1,000	5.63	2.00	<u>55-04204-90-1*</u>	4.12	7.50
5	2.00	T/R Polyurethane	840	6.50	2.00	<u>55-05202-61-1</u>	4.61	10.00
5	2.00	T/R-95 Polyurethane	1,000	6.50	2.00	<u>55-05202-91-1</u>	4.61	10.00
5	2.00	HPPT Polyurethane	1,000	6.50	2.00	<u>55-05202-90-1</u>	4.61	10.00
6	2.00	T/R Polyurethane	960	7.50	2.00	<u>55-06202-61-1</u>	5.10	12.00
6	2.00	T/R-95 Polyurethane	1,000	7.50	2.00	<u>55-06202-91-1</u>	5.10	12.00
6	2.00	HPPT Polyurethane	1,000	7.50	2.00	<u>55-06202-90-1</u>	5.10	12.00
8	2.00	T/R Polyurethane	1,000	10.13	2.00	<u>55-08202-61-1</u>	6.08	16.00
8	2.00	T/R-95 Polyurethane	1,000	10.13	2.00	<u>55-08202-91-1</u>	6.08	16.00
8	2.00	HPPT Polyurethane	1,000	10.13	2.00	<u>55-08202-90-1</u>	6.08	16.00

Capacity listed is for manual operation. For powered operations, consult factory.

Part Numbers listed are for the swivel caster. For rigid casters, change series to 50 and change the last digit from 1 to 2 (i.e. 50-08202-61-2).

Estimated weight is for swivel caster. Deduct 20 percent of swivel caster weight for rigid casters.

* This caster has annular ball bearings

All dimensions are in inches. All weights are in pounds.

IF YOU DON'T SEE IT...ASK US



If You Don't See It....Ask Us

In addition to the standard casters and wheels found in this catalog, Caster Concepts also provides:

- Lift truck stabilizer casters
- Turntable casters
- Press-on polyurethane wheels
- Aluminum core wheels

Other specialized solutions

57

SERIES KINGPINLESS STYLE

1,500 ^{LBS} maximum capacity



Item Shown: 57-8002002-91-1

FEATURES

Swivel Section: Sealed precision ball bearing with hardened raceways and neoprene seals.

Legs: 1/4" x 2" steel, formed and continuously welded on the inside and outside of the yoke base.

Kingpin: Kingpinless style design.

Axle: 1/2" diameter.

Lubrication: Sealed ball bearing is lubricated and requires zero maintenance.

Wheels: 6" to 10" diameter wheels are available with sealed precision ball bearings.

Finish: Clear zinc plating.

BENEFITS

The 57 Series is maintenance free with its sealed precision ball bearing in the swivel section and in the wheels. The smooth rotation and extended lead help lower ergonomic forces.

APPLICATIONS

Excellent for production racks and fixtures, parts bins, conveyer systems, and other applications where maintenance free casters and ergonomics are concerns.

OPTIONS

Brakes:

- Cam: C
- Poly Lock: P*
- Face Contact: F

Swivel Locks:

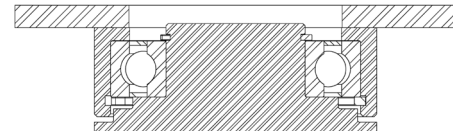
- Factory Installed: L
- Demountable: DL

- Toe Guard: TG

*For wheels with diameter >6

Top Plate Size	Bolt Hole Spacing	Bolt Diameter
Std: 4.5 x 6.25	2.438 x 4.938 Slotted to 3.375 x 5.25	0.5
OT 70: 5.0 x 7.25	3.375 x 5.25 Slotted to 4.125 x 6.125	0.5

57 Series Cross Sectional View



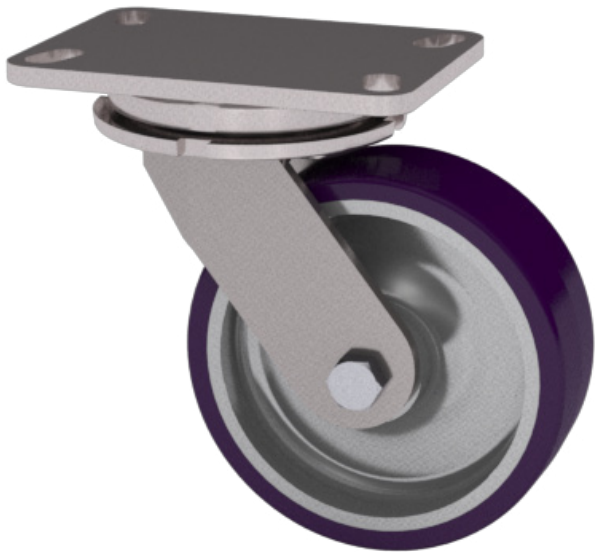
WHEEL			CAPACITY			PART NUMBER		
Dia.	Width	Material	Precision Ball	OAH	Swivel Lead	Precision Ball	Swivel Radius	Wt.
6	2.00	T/R Polyurethane	960	8.31	2.75	57-06202-61-1	5.84	12.00
6	2.00	T/R-95 Polyurethane	1,400	8.31	2.75	57-06202-91-1	5.84	12.00
6	2.00	HPPT Polyurethane	1,500	8.31	2.75	57-06202-90-1	5.84	12.00
8	2.00	T/R Polyurethane	1,240	10.13	2.75	57-08202-61-1	6.82	16.00
8	2.00	T/R-95 Polyurethane	1,500	10.13	2.75	57-08202-91-1	6.82	16.00
8	2.00	HPPT Polyurethane	1,500	10.13	2.75	57-08202-90-1	6.82	16.00

Capacity listed is for manual operation. For powered operations, consult factory.
 Part Numbers listed are for the swivel caster. For rigid casters, change the last digit from 1 to 2 (i.e. 57-08202-60-2).
 Estimated weight is for swivel caster. Deduct 20 percent of swivel caster weight for rigid casters.
 * This caster has annular ball bearings
 All dimensions are in inches. All weights are in pounds.



60 SERIES HEAVY DUTY

1,500^{lb} maximum capacity



Item Shown: 60-06201-90-1

FEATURES

Swivel Section: The hot forged, SAE 1045 steel swivel section features a precision machined 3-1/4" diameter load race with 7/16" ball bearings.

Legs: 1/4" x 2" steel, continuously welded inside and outside to the yoke base.

Kingpin: 3/4" integrally forged as part of the top plate with fully machined raceways and slotted adjusting nut.

Axle: 1/2" diameter.

Lubrication: Pre-lubricated before shipping.

Wheels: 4" to 8" wheels.

Finish: Clear zinc plating.

Standard: Notched yoke base for field installation of swivel locks.

BENEFITS

The 60 Series hot forged casters are heavier and stronger than cold forged casters. Additionally, the precision machined raceways have longer wearing characteristics. Available with a wide variety of options, these heavy duty casters are excellent for in-plant equipment.

OPTIONS

Brakes:

- Cam: C*
- Poly Lock: P*
- Wrap Around: W*^
- Dual Side: DS^
- Single Side: SS^
- Face Contact: F

Swivel Locks:

- Factory Installed: L
- Demountable: DL

Sealed Swivel: SSW

Sealed Wheels: SW

Toe Guard: TG

Heat Treated Raceways: HT

Precision Tapered Thrust Bearings (68 Series)
Precision Tapered Load & Thrust Bearings (69 Series)

*For wheels with diameter >6

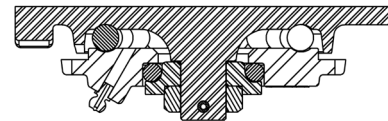
^Only available on roller bearing wheels.

APPLICATIONS

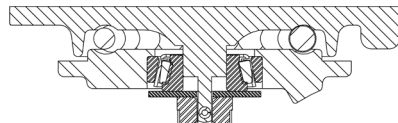
Excellent for parts bins, towline carts, dough troughs, automated vehicles, production racks and fixtures, pan trucks, conveyor systems and other heavy duty applications.

Top Plate Size	Bolt Hole Spacing	Bolt Diameter
Std: 4.5 x 6.25	2.433 x 4.933 Slotted to 3.37 x 5.25	0.5

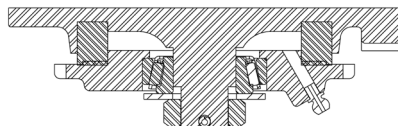
60 Series Cross Sectional View



68 Series Cross Sectional View (Optional)



69 Series Cross Sectional View (Optional)



WHEEL			CAPACITY				PART NUMBER			
Dia.	Width	Material	Roller Bearing	Precision Ball	OAH	Swivel Lead	Straight Roller	Precision Ball	Swivel Radius	Wt.
4	1.50	Forged Steel	1,400	1,400	5.62	1.50	60-04101-20-1	60-04109-20-1†	3.58	7.25
4	2.00	Phenolic Resin	800		5.62	1.50	60-04201-30-1		3.64	7.50
4	2.00	Cast Iron	1,000		5.62	1.50	60-04201-10-1		3.64	7.50
4	2.00	Standard Polyurethane	700	700	5.62	1.50	60-04201-60-1	60-04204-60-1*	3.64	7.50
4	2.00	H.D. T/R Polyurethane	600	600	5.62	1.50	60-04201-66-1	60-04202-66-1	3.64	7.50
4	2.00	Mold On Rubber	350		5.62	1.50	60-04201-70-1		3.64	8.20
5	2.00	Forged Steel	1,500	1,500	6.50	1.75	60-05201-20-1	60-05209-20-1†	4.37	10.20
5	2.00	Cast Iron	1,200		6.50	1.75	60-05201-10-1		4.37	9.20
5	2.00	Phenolic Resin	1,000		6.50	1.75	60-05201-30-1		4.37	8.50
5	2.00	Standard Polyurethane	1,050	1,050	6.50	1.75	60-05201-60-1	60-05202-60-1	4.37	10.00
5	2.00	T/R Polyurethane	850	850	6.50	1.75	60-05201-61-1	60-05202-61-1	4.37	10.00
5	2.00	Mold On Rubber	400		6.50	1.75	60-05201-70-1		4.37	10.00
6	2.00	Forged Steel	1,500	1,500	7.50	2.25	60-06201-20-1	60-06209-20-1†	5.34	13.50
6	2.00	Cast Iron	1,200		7.50	2.25	60-06201-10-1		5.34	13.00
6	2.00	Phenolic Resin	1,200		7.50	2.25	60-06201-30-1		5.34	9.50
6	2.00	Standard Polyurethane	1,200	1,200	7.50	2.25	60-06201-60-1	60-06202-60-1	5.34	12.00
6	2.00	T/R Polyurethane	1,000	1,000	7.50	2.25	60-06201-61-1	60-06202-61-1	5.34	12.00
6	2.00	Mold On Rubber	425		7.50	2.25	60-06201-70-1		5.34	12.00
8	2.00	Cast Iron	1,500		10.12	2.25	60-08201-10-1		6.33	16.50
8	2.00	Phenolic Resin	1,400		10.12	2.25	60-08201-30-1		6.33	12.00
8	2.00	Standard Polyurethane	1,500	1,500	10.12	2.25	60-08201-60-1	60-08202-60-1	6.33	14.00
8	2.00	T/R Polyurethane	1,200	1,200	10.12	2.25	60-08201-61-1	60-08202-61-1	6.33	14.00
8	2.00	Mold On Rubber	500		10.12	2.25	60-08201-70-1		6.33	14.00

*Capacity listed for manual operation. For powered operations consult factory.
Part numbers listed are for the swivel caster. For rigid casters, change the last digit from 1 to 2 (ie: 60-06201-60-2)
Estimated weight is for the swivel caster, deduct 20% of swivel caster weight for rigid caster.
† This caster has tapered bearings.
* This caster has annular ball bearings
All dimensions are in inches. All weights are in pounds.*

61

SERIES KINGPINLESS STYLE 3,500 LBS maximum capacity



Item Shown: 61-10302-61-1

FEATURES

Swivel Section: A high alloy steel swivel section features a precision machined and through hardened 3-1/4" diameter raceway with 1/2" inch ball bearings.

Legs: 3/8" x 2-1/2" legs are formed and continuously welded inside and outside to the yoke base

Kingpin: Kingpinless style design.

Axle: 3/4" diameter.

Lubrication: Pre-lubricated before shipping.

Wheels: 4" to 12" diameter wheels have a 1" straight roller bearing. The roller bearing rotates on a hardened and ground 1" steel spanner bushing. Tapered bearings are 3/4" I.D. with neoprene lip seals standard. Precision ball bearings are available for ergonomic applications.

Finish: Clear zinc plating.

BENEFITS

The 61 Series kingpinless style swivel bearings act as both load and thrust components and lock the swivel section together to distribute the load over a larger area. The single ball race design provides easy maneuverability and longevity under high load situations. The 61 Series casters are built to long established industry standards for top plate size, bolt hole spacing and overall height.

Sealed Swivel:..... SSW

Sealed Wheels:..... SW

Toe Guard:..... TG

**For wheels with diameter >6*

OPTIONS

Brakes:

- Poly Lock:..... P*
- Wrap Around:..... W*
- Face Contact:..... F
- Single Side:..... SS
- Dual Side:..... DS

Swivel Locks:

- Factory Installed:..... L
- Demountable:..... DL

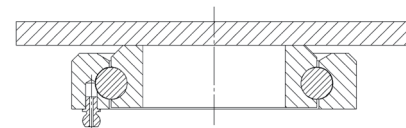
APPLICATIONS

Floor tow lines, works-in-progress carts, trash trucks, dough troughs, fixture carts, drywall dollies, autoclave dollies, tread book trays, automotive body dollies, gantry cranes, lift truck battery handling equipment, automated guided vehicles, and conveyor systems.

Top Plate Size	Bolt Hole Spacing	Bolt Diameter
Std: 4.5 x 6.25	2.438 x 4.938 Slotted to 3.375 x 5.25	0.5
OT 70: 5.0 x 7.25 x 0.38	3.375 x 5.25 Slotted to 4.125 x 6.125	0.5
OT 75: 6.0 x 7.0 x 0.38	4.625 x 5.5	0.5
OT 80: 6.0 x 7.5 x 0.5	4.5 x 6.0	0.5

Note: OT 80 will increase OAH by 1/8"

61 Series Cross Sectional View



WHEEL			CAPACITY				PART NUMBER			
Dia.	Width	Material	Roller Bearing	Tapered	OAH	Swivel Lead	Straight Roller	Precision Tapered	Swivel Radius	Wt.
4	3.00	Cast Iron	2,000	2,000	5.62	1.50	<u>61-04301-10-1</u>	61-04309-10-1	3.81	18.00
4	3.25	Standard Polyurethane	1,200	1,200	5.62	1.50	<u>61-04321-60-1</u>	61-04329-60-1	3.86	16.00
5	2.50	Cast Iron	2,000	2,000	6.50	1.75	<u>61-05251-10-1</u>	61-05259-10-1	4.43	20.00
5	2.50	Standard Polyurethane	1,325	1,325	6.50	1.75	<u>61-05251-60-1</u>	61-05259-60-1	4.43	20.00
5	3.00	Standard Polyurethane	1,550	1,550	6.50	1.75	<u>61-05301-60-1</u>	61-05309-60-1	4.51	22.00
6	2.50	Cast Iron	2,500	2,500	7.50	2.25	<u>61-06251-10-1</u>	61-06259-10-1	5.40	22.50
6	2.50	Forged Steel	3,500	3,500	7.50	2.25	<u>61-06251-20-1</u>	61-06259-20-1	5.40	22.00
6	2.50	Phenolic Resin	1,600	1,600	7.50	2.25	<u>61-06251-30-1</u>	61-06259-30-1	5.40	14.50
6	2.50	Standard Polyurethane	1,625	1,625	7.50	2.25	<u>61-06251-60-1</u>	61-06259-60-1	5.40	26.00
6	2.50	Mold On Rubber	550	550	7.50	2.25	<u>61-06251-70-1</u>	61-06259-70-1	5.40	24.00
6	3.00	Cast Iron	2,500	2,500	7.50	2.25	<u>61-06301-10-1</u>	61-06309-10-1	5.46	23.00
6	3.00	Phenolic Resin	2,000	2,000	7.50	2.25	<u>61-06301-30-1</u>	61-06309-30-1	5.46	17.00
6	3.00	Standard Polyurethane	2,050	2,050	7.50	2.25	<u>61-06301-60-1</u>	61-06309-60-1	5.46	15.00
6	3.00	H.D. Standard Polyurethane	2,450	2,450	7.50	2.25	<u>61-06301-65-1</u>	61-06309-65-1	5.46	14.50
6	3.00	T/R Polyurethane	1,640	1,640	7.50	2.25		61-06302-61-1*	5.46	14.50
6	3.00	Mold On Rubber	675	675	7.50	2.25	<u>61-06301-70-1</u>	61-06309-70-1	5.46	23.00
8	2.50	Phenolic Resin	2,000	2,000	10.12	2.25	<u>61-08251-30-1</u>	61-08259-30-1	6.37	17.00
8	2.50	Standard Polyurethane	2,050	2,050	10.12	2.25	<u>61-08251-60-1</u>	61-08259-60-1	6.37	23.00
8	2.50	H.D. T/R Polyurethane	1,640	1,640	10.12	2.25	<u>61-08251-66-1</u>	61-08259-66-1	6.37	25.00
8	2.50	Mold On Rubber	670	670	10.12	2.25	<u>61-08251-70-1</u>	61-08259-70-1	6.37	19.00
8	3.00	Forged Steel	3,500	3,500	10.12	2.25	<u>61-08301-20-1</u>	61-08309-20-1	6.43	29.00
8	3.00	Cast Iron	3,500	3,500	10.12	2.25	<u>61-08301-10-1</u>	61-08309-10-1	6.43	39.00
8	3.00	Phenolic Resin	2,500	2,500	10.12	2.25	<u>61-08301-30-1</u>	61-08309-30-1	6.43	19.00
8	3.00	Standard Polyurethane	2,520	2,520	10.12	2.25	<u>61-08301-60-1</u>	61-08309-60-1	6.43	27.00
8	3.00	T/R Polyurethane		2,000	10.12	2.25		61-08302-61-1*	6.43	27.00
8	3.00	H.D. Standard Polyurethane	3,100	3,100	10.12	2.25	<u>61-08301-65-1</u>	61-08309-65-1	6.43	25.00
8	3.00	H.D. T/R Polyurethane	2,500	2,500	10.12	2.25	<u>61-08301-66-1</u>	61-08309-66-1	6.43	25.00
8	3.00	Mold On Rubber	840	840	10.12	2.25	<u>61-08301-70-1</u>	61-08309-70-1	6.43	24.00
10	3.00	Cast Iron	3,500	3,500	11.50	3.00	<u>61-10301-10-1</u>	61-10309-10-1	8.14	42.00
10	3.00	Phenolic Resin	2,900	2,900	11.50	3.00	<u>61-10301-30-1</u>	61-10309-30-1	8.14	21.00
10	3.00	Standard Polyurethane	3,000	3,000	11.50	3.00	<u>61-10301-60-1</u>	61-10309-60-1	8.14	32.00
10	3.00	T/R Polyurethane		2,400	11.50	3.00		61-10302-61-1*	8.14	32.00
10	3.00	H.D. Standard Polyurethane	3,500	3,500	11.50	3.00	<u>61-10301-65-1</u>	61-10309-65-1	8.14	37.00
10	3.00	H.D. T/R Polyurethane	2,750	2,750	11.50	3.00	<u>61-10301-66-1</u>	61-10309-66-1	8.14	37.00
10	3.00	Mold On Rubber	1,000	1,000	11.50	3.00	<u>61-10301-70-1</u>	61-10309-70-1	8.14	37.00
12	3.00	Phenolic Resin	3,500	3,500	13.50	3.00	<u>61-12301-30-1</u>	61-12309-30-1	9.12	30.00
12	3.00	Standard Polyurethane	3,500	3,500	13.50	3.00	<u>61-12301-60-1</u>	61-12309-60-1	9.12	41.00
12	3.00	Mold On Rubber	1,125	1,125	13.50	3.00	<u>61-12301-70-1</u>	61-12309-70-1	9.12	32.00

Capacity listed is for manual operation. For powered operations, consult factory.

Part Numbers listed are for the swivel caster. For rigid casters, change series to 65 and change the last digit from 1 to 2 (i.e. 65-10309-60-2).

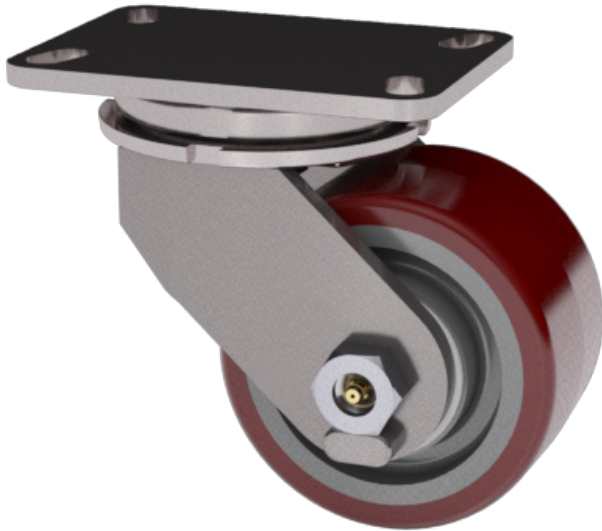
Estimated weight is for swivel caster. Deduct 20 percent of swivel caster weight for rigid casters.

*These casters have precision ball bearings.

All dimensions are in inches. All weights are in pounds.

65 SERIES HEAVY DUTY

2,000 lbs maximum capacity



Item Shown: 65-06301-60-1

FEATURES

Swivel Section: Hot forged SAE 1045 steel swivel section features a fully machined 3-1/4" diameter raceway which is concentric to the kingpin. The yoke base is notched for field installation of swivel locks.

Legs: 3/8" x 2-1/2" legs are formed and continuously welded inside and outside to the yoke base

Kingpin: The 3/4" heavy section kingpin is machined out of stock which was integrally forged into the top plate.

Axle: 3/4" diameter axle

Lubrication: Pre-lubricated before shipping.

Wheels: 4" to 12" diameter wheels have a 1" straight roller bearing. Roller bearing rotates on a hardened and ground 1" steel spanner bushing. Tapered bearings are 3/4" I.D.

Finish: Clear zinc plating.

Standard: Notched yoke base for field installation of swivel locks.

BENEFITS

The 65 Series hot forged swivel sections are the strongest in the market and will handle more abusive applications than the equivalent cold forged swivel sections. Each swivel top plate and yoke base is machined to a mirror smooth finish for a close tolerance fit for added strength. In addition, the integrally forged, heavy section kingpin provides extra durability and a precision fit and eliminates "kingpin stretch" which is common in riveted or nut and bolt design sections.

- Sealed Swivel:** SSW
- Sealed Wheels:** SW
- Toe Guard:** TG
- Heat Treated Raceways:** HT

Precision Tapered Thrust Bearings (68 Series)
Precision Tapered Load & Thrust Bearings (69 Series)

*For wheels with diameter >6

OPTIONS

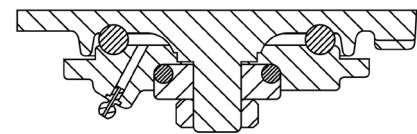
- Brakes:**
- Poly Lock: P*
 - Wrap Around: W*
 - Face Contact: F
 - Single Side: SS
 - Dual Side: DS
- Swivel Locks:**
- Factory Installed: L
 - Demountable: DL

APPLICATIONS

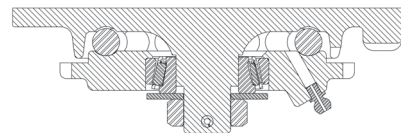
Ideal for heavy manually moved loads or for medium duty power drawn equipment, bakery dough troughs, tow line conveyors, heavy duty bakery racks, production dollies, automotive body dollies, gantry cranes, lift truck battery handling equipment, conveyor systems, and automated guided vehicles.

Top Plate Size	Bolt Hole Spacing	Bolt Diameter
Std: 4.5 x 6.25	2.43 x 4.9 Slotted to 3.37 x 5.25	0.5

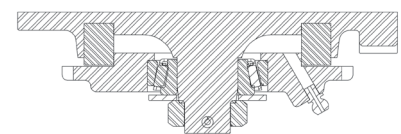
65 Series Cross Sectional View



68 Series Cross Sectional View (Optional)



69 Series Cross Sectional View (Optional)



WHEEL			CAPACITY				PART NUMBER			
Dia.	Width	Material	Roller Bearing	Tapered	OAH	Swivel Lead	Straight Roller	Precision Tapered	Swivel Radius	Wt.
4	3.00	Cast Iron	2,000	2,000	5.50	2.00	65-04301-10-1	65-04309-10-1	4.27	18.00
4	3.25	Standard Polyurethane	1,200	1,200	5.50	2.00	65-04321-60-1	65-04309-60-1	4.32	16.00
5	2.50	Cast Iron	2,000	2,000	6.50	2.25	65-05251-10-1	65-05259-10-1	4.91	20.00
5	2.50	Standard Polyurethane	1,325	1,325	6.50	2.25	65-05251-60-1	65-05259-60-1	4.91	20.00
5	3.00	Standard Polyurethane	1,550	1,550	6.50	2.25	65-05301-60-1	65-05309-60-1	4.98	22.00
6	2.50	Cast Iron	2,000	2,000	7.50	2.50	65-06251-10-1	65-06259-10-1	5.64	22.50
6	2.50	Forged Steel	2,000	2,000	7.50	2.50	65-06251-20-1	65-06259-20-1	5.64	22.00
6	2.50	Phenolic Resin	1,600	1,600	7.50	2.50	65-06251-30-1	65-06259-30-1	5.64	14.50
6	2.50	Standard Polyurethane	1,625	1,625	7.50	2.50	65-06251-60-1	65-06259-60-1	5.64	26.00
6	2.50	Mold On Rubber	550	550	7.50	2.50	65-06251-70-1	65-06259-70-1	5.64	24.00
6	3.00	Cast Iron	2,000	2,000	7.50	2.50	65-06301-10-1	65-06309-10-1	5.70	23.00
6	3.00	Phenolic Resin	2,000	2,000	7.50	2.50	65-06301-30-1	65-06309-30-1	5.70	17.00
6	3.00	Standard Polyurethane	2,000	2,000	7.50	2.50	65-06301-60-1	65-06309-60-1	5.70	15.00
6	3.00	H.D. Standard Polyurethane	2,000	2,000	7.50	2.50	65-06301-65-1	65-06309-65-1	5.70	14.50
6	3.00	T/R Polyurethane		1,640	7.50	2.50		65-06302-61-1*	5.70	14.50
6	3.00	Mold On Rubber	675	675	7.50	2.50	65-06301-70-1	65-06309-70-1	5.70	23.00
8	2.50	Phenolic Resin	2,000	2,000	10.12	2.25	65-08251-30-1	65-08259-30-1	6.37	17.00
8	2.50	Standard Polyurethane	2,000	2,000	10.12	2.25	65-08251-60-1	65-08259-60-1	6.37	23.00
8	2.50	H.D. T/R Polyurethane	1,640	1,640	10.12	2.25	65-08251-66-1	65-08259-66-1	6.37	25.00
8	2.50	Mold On Rubber	670	670	10.12	2.25	65-08251-70-1	65-08259-70-1	6.37	19.00
8	3.00	Cast Iron	2,000	2,000	10.12	2.25	65-08301-10-1	65-08309-10-1	6.43	39.00
8	3.00	Forged Steel	2,000	2,000	10.12	2.25	65-08301-20-1	65-08309-20-1	6.43	29.00
8	3.00	Phenolic Resin	2,000	2,000	10.12	2.25	65-08301-30-1	65-08309-30-1	6.43	19.00
8	3.00	Laminated Phenolic	2,000	2,000	10.12	2.25	65-08301-35-1	65-08309-35-1	6.43	19.00
8	3.00	Standard Polyurethane	2,000	2,000	10.12	2.25	65-08301-60-1	65-08309-60-1	6.43	27.00
8	3.00	T/R Polyurethane		2,000	10.12	2.25		65-08302-61-1*	6.43	27.00
8	3.00	H.D. Standard Polyurethane	2,000	2,000	10.12	2.25	65-08301-65-1	65-08309-65-1	6.43	25.00
8	3.00	H.D. T/R Polyurethane	2,000	2,000	10.12	2.25	65-08301-66-1	65-08309-66-1	6.43	25.00
8	3.00	Mold On Rubber	840	840	10.12	2.25	65-08301-70-1	65-08309-70-1	6.43	24.00
10	2.50	Mold On Rubber	790	790	11.50	2.50	65-10251-70-1	65-10259-70-1	7.60	26.00
10	3.00	Cast Iron	2,000	2,000	11.50	2.50	65-10301-10-1	65-10309-10-1	7.65	30.00
10	3.00	Phenolic Resin	2,000	2,000	11.50	2.50	65-10301-30-1	65-10309-30-1	7.65	21.00
10	3.00	Standard Polyurethane	2,000	2,000	11.50	2.50	65-10301-60-1	65-10309-60-1	7.65	32.00
10	3.00	T/R Polyurethane		2,000	11.50	2.50		65-10302-61-1*	7.65	32.00
10	3.00	H.D. Standard Polyurethane	2,000	2,000	11.50	2.50	65-10301-65-1	65-10309-65-1	7.65	37.00
10	3.00	H.D. T/R Polyurethane	2,000	2,000	11.50	2.50	65-10301-66-1	65-10309-66-1	7.65	37.00
10	3.00	Mold On Rubber	1,000	1,000	11.50	2.50	65-10301-70-1	65-10309-70-1	7.65	27.00
12	2.50	Standard Polyurethane	2,000	2,000	13.50	3.00	65-12251-60-1	65-12259-60-1	9.09	32.00
12	3.00	Phenolic Resin	2,000	2,000	13.50	3.00	65-12301-30-1	65-12309-30-1	9.12	30.00
12	3.00	Standard Polyurethane	2,000	2,000	13.50	3.00	65-12301-60-1	65-12309-60-1	9.12	41.00
12	3.00	Mold On Rubber	1,125	1,125	13.50	3.00	65-12301-70-1	65-12309-70-1	9.12	32.00

Capacity listed is for manual operation. For powered operations, consult factory.

Part Numbers listed are for the swivel caster. For rigid casters, change the last digit from 1 to 2 (i.e. 65-10309-70-2)

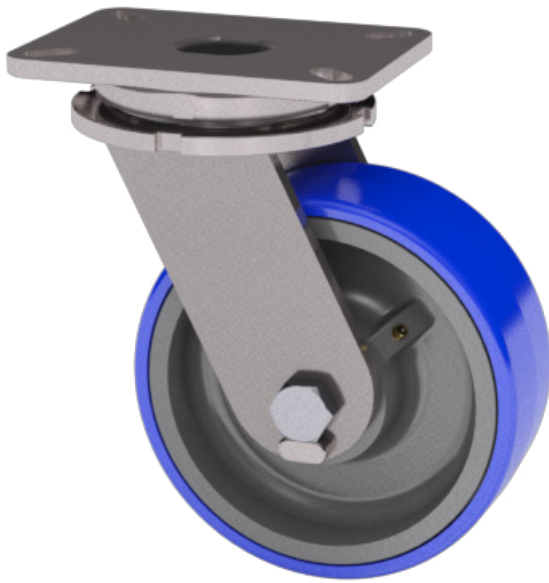
Estimated weight is for swivel caster. Deduct 20 percent of swivel caster weight for rigid casters.

*These casters have precision ball bearings. All dimensions are in inches. All weights are in pounds. Swivel Options: for the 68 or 69 series swivel configuration please change first two digits in the part number ie: 65-06309-60-1 to 69-06309-60-1.

70

SERIES HEAVY DUTY

3,500^{LB} maximum capacity



Item Shown: 70-08309-80-1

FEATURES

Swivel Section: Made from hot forged C-1045 steel with 4" diameter load raceway and 1/2" diameter ball bearings.

Legs: 3/8" x 3" steel, continuously welded inside and outside to the yoke base.

Kingpin: 1" diameter, Grade 5 kingbolt is heat treated and features a slotted adjusting nut.

Axle: 3/4" diameter.

Lubrication: Pre-lubricated before shipping.

Wheels: 2-1/2" to 3" wide wheels. Roller bearings rotate on hardened and ground 1" steel spanner bushing.

Finish: Clear zinc plating.

Standard: Notched yoke base for field installation of swivel locks.

BENEFITS

The 70 Series is one of the most popular industrial caster designs. The hot forged swivel sections and industrial width wheels are well suited for many in-plant applications. The added strength of the kingbolt provides extended caster service life.

Sealed Wheels: SW

Toe Guard: TG

Heat Treated Raceways: HT

**For wheels with diameter >6*

Top Plate Size	Bolt Hole Spacing	Bolt Diameter
Std: 5.25 x 7.25 x 0.38	3.375 x 5.25 Slotted to 4.125 x 6.125	0.5

Note: Rigid top plate size is 5.0 x 7.25 x .375.

OPTIONS

Brakes:

Poly Lock: P*
Wrap Around: W*
Face Contact: F
Single Side: SS
Dual Side: DS

Swivel Locks:

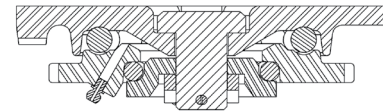
Factory Installed: L
Demountable: DL

Sealed Swivel: SSW

APPLICATIONS

Suitable for medium heavy duty power drawn equipment, as well as heavier duty manually handled equipment, including gantry cranes, work platforms, dragline trucks, warehouse trucks, modular home manufacturing, production racks and fixtures, high capacity die tables, machinery dollies, corrugated steel box trucks, heavy portable storage racks, green tire racks, scrap hoppers and other equipment.

70 Series Cross Sectional View



WHEEL			CAPACITY				PART NUMBER			
Dia.	Width	Material	Roller Bearing	Tapered	OAH	Swivel Lead	Straight Roller	Precision Tapered	Swivel Radius	Wt.
4	3.00	Cast Iron	2,000		6.00	2.00	<u>70-04301-10-1</u>		4.27	20.00
4	3.25	Standard Polyurethane	1,200		6.00	2.00	<u>70-04321-60-1</u>		4.32	17.00
4	4.00	Cast Iron	3,500		6.00	2.00	<u>70-04401-10-1</u>		4.47	27.00
4	4.25	Standard Polyurethane	1,600		6.00	2.00	<u>70-04401-60-1</u>		4.53	25.00
4	4.25	Hard Polyurethane (70D)	2,000	2,000	6.00	2.00	<u>70-04401-63-1</u>	70-04409-63-1	4.53	25.00
5	2.50	Cast Iron	2,000	2,000	7.00	2.50	<u>70-05251-10-1</u>	70-05259-10-1	5.15	24.00
5	3.00	Standard Polyurethane	1,550	1,550	7.00	2.50	<u>70-05301-60-1</u>	70-05309-60-1	5.22	23.00
6	2.50	Cast Iron	2,500	2,500	8.00	2.50	<u>70-06251-10-1</u>	70-06259-10-1	5.64	27.00
6	2.50	Forged Steel	3,500	3,500	8.00	2.50	<u>70-06251-20-1</u>	70-06259-20-1	5.64	25.00
6	3.00	Cast Iron	2,500	2,500	8.00	2.50	<u>70-06301-10-1</u>	70-06309-10-1	5.70	25.00
6	3.00	Phenolic Resin	2,000	2,000	8.00	2.50	<u>70-06301-30-1</u>	70-06309-30-1	5.70	19.00
6	3.00	Standard Polyurethane	2,050	2,050	8.00	2.50	<u>70-06301-60-1</u>	70-06309-60-1	5.70	21.00
6	3.00	T/R Polyurethane	1,640		8.00	2.50		70-06302-61-1*	5.70	21.00
6	3.00	H.D. Standard Polyurethane	2,450	2,450	8.00	2.50	<u>70-06301-65-1</u>	70-06309-65-1	5.70	23.00
6	3.00	H.D. T/R Polyurethane	1,640	1,640	8.00	2.50	<u>70-06301-66-1</u>	70-06309-66-1	5.70	23.00
6	3.00	Mold On Rubber	675	675	8.00	2.50	<u>70-06301-70-1</u>	70-06309-70-1	5.70	24.00
6	4.00	H.D. Standard Polyurethane	3,000	3,000	8.00	2.50	<u>70-06401-65-1</u>	70-06409-65-1	5.85	34.00
8	3.00	Cast Iron	3,500	3,500	10.50	2.50	<u>70-08301-10-1</u>	70-08309-10-1	6.67	34.00
8	3.00	Forged Steel	3,500	3,500	10.50	2.50	<u>70-08301-20-1</u>	70-08309-20-1	6.67	34.00
8	3.00	Phenolic Resin	2,500	2,500	10.50	2.50	<u>70-08301-30-1</u>	70-08309-30-1	6.67	22.00
8	3.00	Standard Polyurethane	2,500	2,500	10.50	2.50	<u>70-08301-60-1</u>	70-08309-60-1	6.67	30.00
8	3.00	T/R Polyurethane	2,000		10.50	2.50		70-08302-61-1*	6.67	30.00
8	3.00	H.D. Standard Polyurethane	3,100	3,100	10.50	2.50	<u>70-08301-65-1</u>	70-08309-65-1	6.67	34.00
8	3.00	H.D. T/R Polyurethane	2,500	2,500	10.50	2.50	<u>70-08301-66-1</u>	70-08309-66-1	6.67	34.00
8	3.00	Mold On Rubber	850	850	10.50	2.50	<u>70-08301-70-1</u>	70-08309-70-1	6.67	27.00
10	3.00	Cast Iron	3,500	3,500	12.50	2.50	<u>70-10301-10-1</u>	70-10309-10-1	7.65	40.00
10	3.00	Forged Steel	3,500	3,500	12.50	2.50	<u>70-10301-20-1</u>	70-10309-20-1	7.65	43.00
10	3.00	Phenolic Resin	2,900	2,900	12.50	2.50	<u>70-10301-30-1</u>	70-10309-30-1	7.65	25.00
10	3.00	Standard Polyurethane	3,000	3,000	12.50	2.50	<u>70-10301-60-1</u>	70-10309-60-1	7.65	35.00
10	3.00	T/R Polyurethane	2,400		12.50	2.50		70-10302-61-1*	7.65	35.00
10	3.00	H.D. Standard Polyurethane	3,500	3,500	12.50	2.50	<u>70-10301-65-1</u>	70-10309-65-1	7.65	40.00
10	3.00	H.D. T/R Polyurethane	2,750	2,750	12.50	2.50	<u>70-10301-66-1</u>	70-10309-66-1	7.65	40.00
10	3.00	Mold On Rubber	1,000	1,000	12.50	2.50	<u>70-10301-70-1</u>	70-10309-70-1	7.65	30.00
10	4.00	Standard Polyurethane	3,500	3,500	12.50	2.50	<u>70-10401-60-1</u>	70-10409-60-1	7.76	45.00
10	4.00	Mold On Rubber	1,400	1,400	12.50	2.50	<u>70-10401-70-1</u>	70-10409-70-1	7.76	44.00
12	3.00	Ductile Iron	3,500	3,500	15.50	2.50	<u>70-12301-12-1</u>	70-12309-12-1	8.63	55.00
12	3.00	Phenolic Resin	3,500	3,500	15.50	2.50	<u>70-12301-30-1</u>	70-12309-30-1	8.63	30.00
12	3.00	Standard Polyurethane	3,500	3,500	15.50	2.50	<u>70-12301-60-1</u>	70-12309-60-1	8.63	45.00
12	3.00	Mold On Rubber	1,125	1,125	15.50	2.50	<u>70-12301-70-1</u>	70-12309-70-1	8.63	42.00
12	4.00	Mold On Rubber	1,600	1,600	15.50	2.50	<u>70-12401-70-1</u>	70-12409-70-1	8.73	56.00

*These casters have precision ball bearings.

Capacity listed is for manual operation. For powered operations, consult factory.

Part Numbers listed are for the swivel casters. For rigid casters, change the last digit from 1 to 2 (i.e. 70-10309-70-2)

Estimated weight is for swivel caster. Deduct 20 percent of swivel caster weight for rigid casters.

All dimensions are in inches. All weights are in pounds.

71

SERIES KINGPINLESS STYLE

4,500 ^{LBS} maximum capacity



Item Shown: 71-08301-80-1

FEATURES

Swivel Section: High alloy steel swivel section features a precision machined and through hardened 3-1/4" diameter raceway.

Legs: 3/8" x 3" legs are formed and continuously welded inside and outside to the yoke base.

Kingpin: Kingpinless style design.

Axle: 3/4" bolt and locking nut.

Lubrication: Pre-lubricated before shipping.

Wheels: 4" to 12" wheels are available with either 1" roller bearings with a hardened and ground steel spanner bushing, 3/4" tapered bearing, or precision ball bearings.

Finish: Clear zinc plating.

BENEFITS

The 71 Series is our heaviest offering in the fabricated single ball race caster. These swivel bearings act as both load and thrust components and lock the swivel section together to distribute the load over a larger area. Because of the unique fabrication of the swivel section, various top plate options can be utilized.

- Sealed Swivel:**..... SSW
- Sealed Wheels:**..... SW
- Toe Guard:**..... TG

**For wheels with diameter >6*

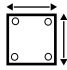
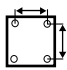

Lord mounts - shear disc suspension available, consult factory.

OPTIONS

- Brakes:**
- Poly Lock:..... P*
 - Wrap Around:..... W*
 - Face Contact:..... F
 - Single Side:..... SS
 - Dual Side:..... DS
- Swivel Locks:**
- Factory Installed:..... L
 - Demountable:..... DL
 - Passive:..... PL

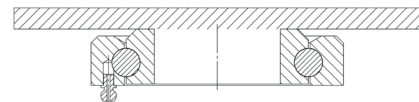
APPLICATIONS

The 71 Series casters are well suited for medium duty towing applications where shock loads are present. In addition, they may be used for dough troughs, high capacity die tables, machinery dollies, corrugated steel box trucks, heavy portable storage racks, mobile military equipment, aircraft maintenance stands, and aircraft crew stairs.

		
Top Plate Size	Bolt Hole Spacing	Bolt Diameter
Std: 5.0 x 7.25 x 0.38	3.375 x 5.25 Slotted to 4.125 x 6.125	0.5
OT 60: 4.5 x 6.25	2.438 x 4.938 Slotted to 3.375 x 5.25	0.5
OT 75: 6.0 x 7.0 x 0.38	4.625 x 5.5	0.5
OT 80: 6.0 x 7.5 x 0.5	4.5 x 6.0	0.5

Note: OT 80 will increase OAH by 1/8"

71 Series Cross Sectional View



WHEEL			CAPACITY				PART NUMBER			
Dia.	Width	Material	Roller Bearing	Tapered	OAH	Swivel Lead	Straight Roller	Precision Tapered	Swivel Radius	Wt.
4	3.00	Cast Iron	2,000		6.00	2.00	71-04301-10-1		4.27	20.00
4	3.25	Standard Polyurethane	1,200	1,200	6.00	2.00	71-04321-60-1		4.32	17.00
5	2.50	Cast Iron	2,000	2,000	7.00	2.25	71-05251-10-1	71-05259-10-1	4.91	24.00
5	3.00	Standard Polyurethane	1,550	1,550	7.00	2.25	71-05301-60-1	71-05309-60-1	4.98	23.00
6	2.50	Cast Iron	2,500	2,500	8.00	2.25	71-06251-10-1	71-06259-10-1	5.40	27.00
6	2.50	Forged Steel	4,000	4,500	8.00	2.25	71-06251-20-1	71-06259-20-1	5.40	25.00
6	3.00	Cast Iron	2,500	2,500	8.00	2.25	71-06301-10-1	71-06309-10-1	5.46	25.00
6	3.00	Phenolic Resin	2,000	2,000	8.00	2.25	71-06301-30-1	71-06309-30-1	5.46	19.00
6	3.00	Standard Polyurethane	2,050	2,050	8.00	2.25	71-06301-60-1	71-06309-60-1	5.46	21.00
6	3.00	T/R Polyurethane	1,640		8.00	2.25		71-06302-61-1*	5.46	21.00
6	3.00	H.D. Standard Polyurethane	2,450	2,450	8.00	2.25	71-06301-65-1	71-06309-65-1	5.46	23.00
6	3.00	H.D. T/R Polyurethane	2,050	2,050	8.00	2.25	71-06301-66-1	71-06309-66-1	5.46	23.00
6	3.00	Mold On Rubber	675	675	8.00	2.25	71-06301-70-1	71-06309-70-1	5.46	24.00
8	3.00	Cast Iron	3,500	3,500	10.50	2.50	71-08301-10-1	71-08309-10-1	6.67	34.00
8	3.00	Forged Steel	4,500	4,500	10.50	2.50	71-08301-20-1	71-08309-20-1	6.67	34.00
8	3.00	Phenolic Resin	2,500	2,500	10.50	2.50	71-08301-30-1	71-08309-30-1	6.67	22.00
8	3.00	Standard Polyurethane	2,500	2,500	10.50	2.50	71-08301-60-1	71-08309-60-1	6.67	30.00
8	3.00	T/R Polyurethane		2,000	10.50	2.50		71-08302-61-1*	6.67	30.00
8	3.00	H.D. Standard Polyurethane	3,100	3,100	10.50	2.50	71-08301-65-1	71-08309-65-1	6.67	34.00
8	3.00	H.D. T/R Polyurethane	2,500	2,500	10.50	2.50	71-08301-66-1	71-08309-66-1	6.67	34.00
8	3.00	Mold On Rubber	840	840	10.50	2.50	71-08301-70-1	71-08309-70-1	6.67	27.00
10	3.00	Cast Iron	3,500	3,500	12.50	3.00	71-10301-10-1	71-10309-10-1	8.14	40.00
10	3.00	Forged Steel	4,500	4,500	12.50	3.00	71-10301-20-1	71-10309-20-1	8.14	43.00
10	3.00	Phenolic Resin	2,900	2,900	12.50	3.00	71-10301-30-1	71-10309-30-1	8.14	25.00
10	3.00	Standard Polyurethane	3,000	3,000	12.50	3.00	71-10301-60-1	71-10309-60-1	8.14	35.00
10	3.00	T/R Polyurethane		2,400	12.50	3.00		71-10302-61-1*	8.14	35.00
10	3.00	H.D. Standard Polyurethane	3,500	3,500	12.50	3.00	71-10301-65-1	71-10309-65-1	8.14	40.00
10	3.00	H.D. T/R Polyurethane	2,750	2,750	12.50	3.00	71-10301-66-1	71-10309-66-1	8.14	40.00
12	3.00	Phenolic Resin	3,500	3,500	15.50	3.00	71-12301-30-1	71-12309-30-1	9.12	30.00
12	3.00	Standard Polyurethane	3,500	3,500	15.50	3.00	71-12301-60-1	71-12309-60-1	9.12	25.00
12	3.00	Mold On Rubber	1,125	1,125	15.50	3.00	71-12301-70-1	71-12309-70-1	9.12	25.00

*These casters have precision ball bearings.

Capacity listed is for manual operation. For powered operations, consult factory.

Part Numbers listed are for the swivel casters. For rigid casters, change series to 70 and change the last digit from 1 to 2 (i.e. 70-06301-60-2)

Estimated weight is for swivel caster. Deduct 20 percent of swivel caster weight for rigid casters.

All dimensions are in inches. All weights are in pounds.

80

SERIES EXTRA HEAVY DUTY

5,000 ^{lbs} maximum capacity



Item Shown: 80-08309-25-1

FEATURES

Swivel Section: Drop forged from C-1045 steel with 5" diameter, precision machined load raceway. A 1-1/4" tapered thrust bearing completes the precision fit.

Legs: 3/8" x 4" formed and continuously welded both inside and outside.

Kingpin: 1-1/4" integrally forged kingpin with slotted adjusting nut.

Axle: 1", Grade 5 axle.

Lubrication: Pre-lubricated before shipping.

Wheels: 6" to 12" diameter wheels.

Finish: Gold dichromate plating.

BENEFITS

The 80 Series has a ball load swivel that delivers high capacity at a good value. The raceways are heat treated to eliminate brinelling of the surface when the casters are subjected to shock loads. The exceptional strength of the 80 Series makes it an ideal choice for rugged applications.

These casters are built around automotive industry standards. Please consult factory.

- Sealed Swivel:**..... SSW
- Sealed Wheels:**..... SW
- Toe Guard:**..... TG

**For wheels with diameter >6*

Contact the factory for special overall heights and finishes.

DUAL WHEEL DESIGN AVAILABLE

OPTIONS

- Brakes:**
- Poly Lock:..... P*
- Wrap Around:..... W*
- Face Contact:..... F

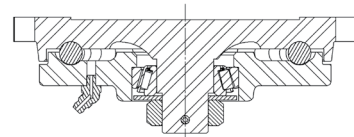
- Swivel Locks:**
- Factory Installed:..... L
- Heavy Duty:..... HDL
- Demountable:..... DL
- Heavy Duty Demountable:..... DHDL

APPLICATIONS

Die carts, automotive plants, steel mills, production line delivery trailers, fiberglass lay up molds, stamping racks, aircraft maintenance, aircraft crew stairs, trash gondolas and other aircraft ground support equipment.

Top Plate Size	Bolt Hole Spacing	Bolt Diameter
Std: 6.0 x 7.5	4.5 x 6.0	0.5
OT-CJ: 6.0 x 7.5	4.625 x 5.5	0.5

80 Series Cross Sectional View



WHEEL			CAPACITY				PART NUMBER			
Dia.	Width	Material	Roller Bearing	Tapered	OAH	Swivel Lead	Straight Roller	Precision Tapered	Swivel Radius	Wt.
6	2.50	Forged Steel	4,000	5,000	8.50	2.50	<u>80-06251-20-1</u>	80-06259-20-1	5.64	38.00
6	3.00	H.D. T/R Polyurethane		1,640	8.50	2.50		80-06309-66-1	5.70	37.00
6	3.00	H.D. Standard Polyurethane	2,500	2,500	8.50	2.50	<u>80-06301-65-1</u>	80-06309-65-1	5.70	40.00
6	3.00	Standard Polyurethane	2,050	2,050	8.50	2.50	<u>80-06301-60-1</u>	80-06309-60-1	5.70	37.00
6	3.00	Laminated Phenolic	2,500	2,500	8.50	2.50	<u>80-06301-35-1</u>	80-06309-35-1	5.70	30.00
6	3.00	Forged Steel	5,000	5,000	8.50	2.50	<u>80-06301-20-1</u>	80-06309-20-1	5.70	45.00
6	3.00	Cast Iron	2,500	2,500	8.50	2.50	<u>80-06301-10-1</u>	80-06309-10-1	5.70	36.00
6	4.00	H.D. Standard Polyurethane	3,000	3,000	8.50	2.50	<u>80-06401-65-1</u>	80-06409-65-1	5.85	36.00
8	3.00	Mold On Rubber	825	825	10.50	2.50	<u>80-08301-70-1</u>	80-08309-70-1	6.67	37.00
8	3.00	H.D. T/R Polyurethane	2,500	2,500	10.50	2.50	<u>80-08301-66-1</u>	80-08309-66-1	6.67	45.00
8	3.00	Standard Polyurethane	2,500	2,500	10.50	2.50	<u>80-08301-60-1</u>	80-08309-60-1	6.67	40.00
8	3.00	H.D. Standard Polyurethane	3,100	3,100	10.50	2.50	<u>80-08301-65-1</u>	80-08309-65-1	6.67	45.00
8	3.00	Laminated Phenolic	3,000	3,000	10.50	2.50	<u>80-08301-35-1</u>	80-08309-35-1	6.67	32.00
8	3.00	Forged Steel	5,000	5,000	10.50	2.50	<u>80-08301-20-1</u>	80-08309-20-1	6.67	44.00
8	3.00	Cast Iron	4,500	4,500	10.50	2.50	<u>80-08301-11-1</u>	80-08309-11-1	6.67	40.00
8	4.00	Standard Polyurethane	3,800	3,800	10.50	2.50	<u>80-08401-60-1</u>	80-08409-60-1	6.80	48.00
8	4.00	Forged Steel	5,000	5,000	10.50	2.50	<u>80-08401-20-1</u>	80-08409-20-1	6.80	48.00
10	3.00	Mold On Rubber	1,000	1,000	12.50	2.50	<u>80-10301-70-1</u>	80-10309-70-1	7.65	50.00
10	3.00	H.D. T/R Polyurethane	2,800	2,800	12.50	2.50	<u>80-10301-66-1</u>	80-10309-66-1	7.65	55.00
10	3.00	Standard Polyurethane	3,000	3,000	12.50	2.50	<u>80-10301-60-1</u>	80-10309-60-1	7.65	49.00
10	3.00	H.D. Standard Polyurethane	3,700	3,700	12.50	2.50	<u>80-10301-65-1</u>	80-10309-65-1	7.65	55.00
10	3.00	Laminated Phenolic	3,250	3,250	12.50	2.50	<u>80-10301-35-1</u>	80-10309-35-1	7.65	36.00
10	3.00	H.D. Forged Steel	5,000	5,000	12.50	2.50	<u>80-10301-21-1</u>	80-10309-21-1	7.65	54.00
10	3.00	Cast Iron	4,000	4,000	12.50	2.50	<u>80-10301-11-1</u>	80-10309-11-1	7.65	50.00
10	4.00	Mold On Rubber	1,500	1,500	12.50	2.50	<u>80-10401-70-1</u>	80-10409-70-1	7.76	51.00
10	4.00	Standard Polyurethane	4,200	4,200	12.50	2.50	<u>80-10401-60-1</u>	80-10409-60-1	7.76	55.00
10	4.00	H.D. T/R Polyurethane	4,000		12.50	2.50		80-10409-66-1	7.76	60.00
10	4.00	H.D. Standard Polyurethane	5,000	5,000	12.50	2.50	<u>80-10401-65-1</u>	80-10409-65-1	7.76	60.00
10	4.00	Forged Steel	5,000	5,000	12.50	2.50	<u>80-10401-20-1</u>	80-10409-20-1	7.76	74.00
12	3.00	Mold On Rubber	1,125	1,125	15.50	2.50	<u>80-12301-70-1</u>	80-12309-70-1	8.63	55.00
12	3.00	H.D. T/R Polyurethane	2,900	2,900	15.50	2.50	<u>80-12301-66-1</u>	80-12309-66-1	8.63	57.00
12	3.00	H.D. Standard Polyurethane	3,850	3,850	15.50	2.50	<u>80-12301-65-1</u>	80-12309-65-1	8.63	53.00
12	3.00	Standard Polyurethane	3,500	3,500	15.50	2.50	<u>80-12301-60-1</u>	80-12309-60-1	8.63	53.00
12	4.00	Mold On Rubber	1,600	1,600	15.50	2.50	<u>80-12401-70-1</u>	80-12409-70-1	8.73	58.00
12	4.00	H.D. T/R Polyurethane	3,800	3,800	15.50	2.50	<u>80-12401-66-1</u>	80-12409-66-1	8.73	70.00
12	4.00	H.D. Standard Polyurethane	5,000	5,000	15.50	2.50	<u>80-12401-65-1</u>	80-12409-65-1	8.73	70.00
12	4.00	H.D. Hard Polyurethane (70D)	5,000	5,000	15.50	2.50	<u>80-12401-67-1</u>	80-12409-67-1	8.73	53.00

Capacity listed is for manual operation. For powered operations, consult factory.
 Part Numbers listed are for the swivel casters. For rigid casters, change the last digit from 1 to 2 (i.e. 80-10309-70-2)
 Estimated weight is for swivel caster. Deduct 20 percent of swivel caster weight for rigid casters.
 All dimensions are in inches. All weights are in pounds.

81

SERIES KINGPINLESS STYLE 10,000 LBS maximum capacity



Item Shown: 2-81-14004501-60-1

FEATURES

Swivel Section: Constructed from drop forged C-1045 steel. The swivel section features a large precision machined 4" single ball bearing load/thrust raceway. The unique design of this raceway actually places the 3/4" diameter load/thrust ball bearings in shear, locking the swivel section together.

Legs: 3/8" x 4" formed and continuously welded both inside and outside.

Kingpin: Kingpinless style design.

Axle: 1", Grade 5 axle.

Lubrication: Pre-lubricated before shipping.

Wheels: 6" to 12" diameter roller bearing wheels have a 1-1/4" I.D. bearing and rotate on a 1-1/4" hardened and ground steel spanner bushing. All tapered bearing wheels have a 1" tapered bearing and rotate on a 1" axle.

Finish: Gold dichromatic plating.

Standard: Shielded swivel.

BENEFITS

The 81 Series kingpinless style casters feature a unique single ball race design. This design provides a high strength swivel section that will swivel easily under extremely heavy loads.

OPTIONS

Brakes:

- Poly Lock: P*
- Wrap Around: W*
- Face Contact: F

Swivel Locks:

- Factory Installed: L
- Heavy Duty: HDL
- Demountable: DL
- Heavy Duty Demountable: DHDL

Sealed Swivel: SSW

Sealed Wheels: SW

Toe Guard: TG

*For wheels with diameter >6

Contact the factory for special overall heights and finishes.

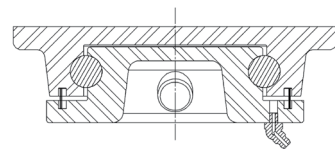
DUAL WHEEL DESIGN AVAILABLE

APPLICATIONS

Suitable for power drawn applications, fiberglass mold dollies, aircraft wing and spar tooling, machinery, engine and paint line dollies, body dolly carts, material carts, chassis rack carts, towed trash gondolas, aircraft maintenance stands, production line delivery trailers and automated guided vehicles.

Top Plate Size	Bolt Hole Spacing	Bolt Diameter
Std: 6.25 x 7.63	4.5 x 6.0	0.5

81 Series Cross Sectional View



WHEEL			CAPACITY				PART NUMBER			
Dia.	Width	Material	Roller Bearing	Tapered	OAH	Swivel Lead	Straight Roller	Precision Tapered	Swivel Radius	Wt.
6	2.50	Forged Steel	4,000	5,000	8.50	2.50	81-06251-20-1	81-06259-20-1	5.64	38.00
6	3.00	H.D. T/R Polyurethane		1,640	8.50	2.50		81-06309-66-1	5.70	37.00
6	3.00	Standard Polyurethane	2,050	2,050	8.50	2.50	81-06301-60-1	81-06309-60-1	5.70	37.00
6	3.00	H.D. Standard Polyurethane	2,500	2,500	8.50	2.50	81-06301-65-1	81-06309-65-1	5.70	40.00
6	3.00	Laminated Phenolic	2,500	2,500	8.50	2.50	81-06301-35-1	81-06309-35-1	5.70	30.00
6	3.00	Forged Steel	6,000	10,000	8.50	2.50	81-06301-20-1	81-06309-20-1	5.70	45.00
6	3.00	Cast Iron	2,500	9,000	8.50	2.50	81-06301-10-1	81-06309-10-1	5.70	36.00
6	4.00	H.D. Standard Polyurethane	3,000	3,000	8.50	2.50	81-06401-65-1	81-06409-65-1	5.85	40.00
8	3.00	Mold On Rubber	825	825	10.50	2.50	81-08301-70-1	81-08309-70-1	6.67	37.00
8	3.00	H.D. T/R Polyurethane	2,500	2,500	10.50	2.50	81-08301-66-1	81-08309-66-1	6.67	45.00
8	3.00	Standard Polyurethane	2,500	2,500	10.50	2.50	81-08301-60-1	81-08309-60-1	6.67	40.00
8	3.00	H.D. Standard Polyurethane	3,100	3,100	10.50	2.50	81-08301-65-1	81-08309-65-1	6.67	45.00
8	3.00	Laminated Phenolic	3,000	3,000	10.50	2.50	81-08301-35-1	81-08309-35-1	6.67	32.00
8	3.00	Forged Steel	4,500	10,000	10.50	2.50	81-08301-20-1	81-08309-20-1	6.67	44.00
8	3.00	Cast Iron	3,500	3,500	10.50	2.50	81-08301-11-1	81-08309-11-1	6.67	40.00
8	4.00	Standard Polyurethane	3,800	3,800	10.50	2.50	81-08401-60-1	81-08409-60-1	6.80	48.00
8	4.00	Forged Steel	8,400	10,000	10.50	2.50	81-08401-20-1	81-08409-20-1	6.80	48.00
10	3.00	Mold On Rubber	1,000	1,000	12.50	2.50	81-10301-70-1	81-10309-70-1	7.65	50.00
10	3.00	H.D. T/R Polyurethane	2,800	2,800	12.50	2.50	81-10301-66-1	81-10309-66-1	7.65	55.00
10	3.00	Standard Polyurethane	3,000	3,000	12.50	2.50	81-10301-60-1	81-10309-60-1	7.65	49.00
10	3.00	H.D. Standard Polyurethane	3,700	3,700	12.50	2.50	81-10301-65-1	81-10309-65-1	7.65	55.00
10	3.00	Laminated Phenolic	3,250	3,250	12.50	2.50	81-10301-35-1	81-10309-35-1	7.65	36.00
10	3.00	H.D. Forged Steel	5,000	6,500	12.50	2.50	81-10301-21-1	81-10309-21-1	7.65	54.00
10	3.00	Cast Iron	4,000	4,000	12.50	2.50	81-10301-11-1	81-10309-11-1	7.65	50.00
10	4.00	Mold On Rubber	1,500	1,500	12.50	2.50	81-10401-70-1	81-10409-70-1	7.76	51.00
10	4.00	Standard Polyurethane	4,200	4,200	12.50	2.50	81-10401-60-1	81-10409-60-1	7.76	55.00
10	4.00	H.D. T/R Polyurethane		4,000	12.50	2.50		81-10409-66-1	7.76	60.00
10	4.00	H.D. Standard Polyurethane	5,000	5,000	12.50	2.50	81-10401-65-1	81-10409-65-1	7.76	60.00
10	4.00	Forged Steel	8,400	10,000	12.50	2.50	81-10401-20-1	81-10409-20-1	7.76	74.00
12	3.00	Mold On Rubber	1,125	1,125	15.50	2.50	81-12301-70-1	81-12309-70-1	8.63	55.00
12	3.00	Ductile Iron	6,500	6,500	15.50	2.50	81-12301-12-1	81-12309-12-1	8.63	70.00
12	3.00	H.D. T/R Polyurethane	2,900	2,900	15.50	2.50	81-12301-66-1	81-12309-66-1	8.63	57.00
12	3.00	H.D. Standard Polyurethane	3,850	3,850	15.50	2.50	81-12301-65-1	81-12309-65-1	8.63	53.00
12	3.00	Standard Polyurethane	3,500	3,500	15.50	2.50	81-12301-60-1	81-12309-60-1	8.63	53.00
12	4.00	Mold On Rubber	1,600	1,600	15.50	2.50	81-12401-70-1	81-12409-70-1	8.73	58.00
12	4.00	Ductile Iron	7,500	7,500	15.50	2.50	81-12401-12-1	81-12409-12-1	8.73	70.00
12	4.00	H.D. T/R Polyurethane	3,800	3,800	15.50	2.50	81-12401-66-1	81-12409-66-1	8.73	70.00
12	4.00	H.D. Standard Polyurethane	5,500	5,500	15.50	2.50	81-12401-65-1	81-12409-65-1	8.73	70.00
12	4.00	H.D. Hard Polyurethane (70D)	6,600	6,600	15.50	2.50	81-12401-67-1	81-12409-67-1	8.73	70.00

Capacity listed is for manual operation. For powered operations, consult factory.

Part Numbers listed are for the swivel casters. For rigid casters, change series to 80 and change the last digit from 1 to 2 (i.e. 80-12409-70-2)

Estimated weight is for swivel caster. Deduct 20 percent of swivel caster weight for rigid casters.

All dimensions are in inches. All weights are in pounds.

85 SERIES EXTRA HEAVY DUTY

10,000 LBS maximum capacity



Item Shown: 85-12501-65-1

FEATURES

Swivel Section: Constructed from hot forged C-1045 steel, the swivel section features a large precision machined raceway, with a precision tapered load and tapered thrust bearing.

Legs: 3/8" x 4" legs are formed and continuously welded both inside and outside.

Kingpin: 1-1/4" integrally forged kingpin with slotted adjusting nut.

Axle: 1", Grade 5 axle.

Lubrication: Pre-lubricated before shipping.

Wheels: 6" to 12" diameter wheels with widths from 2-1/2" to 4".

Finish: Gold dichromate plating.

BENEFITS

The tapered load bearing and thrust bearing enhance the precision nature of this caster creating a swivel section with the highest load carrying capacity for its class. The 85 Series delivers an exceptionally tight tolerance fit. Additionally, the integrally forged kingpin and slotted adjusting nut add strength and longevity to the life of the swivel section.

Sealed Wheels: SW

Toe Guard: TG

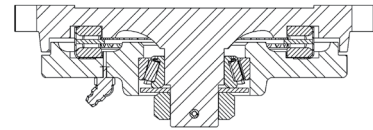
**For wheels with diameter >6*

Contact the factory for special overall heights and finishes.

DUAL WHEEL DESIGN AVAILABLE

Top Plate Size	Bolt Hole Spacing	Bolt Diameter
Std: 6.0 x 7.5	4.5 x 6.0	0.5

85 Series Cross Sectional View



OPTIONS

Brakes:

Poly Lock: P*

Wrap Around: W*

Face Contact: F

Swivel Locks:

Factory Installed: L

Heavy Duty: HDL

Heavy Duty Demountable: DHDL

Sealed Swivel: SSW

APPLICATIONS

This design is used in applications where high load capacities are required and the area for the caster does not lend itself to the bulkiness of larger casters. It is also ideal where constant use under load requires a high performance caster. Applications may include high capacity die tables, die carts, towed trailers, aerospace industry, steel mills, gantries, automated guided vehicles and aircraft maintenance applications.

WHEEL			CAPACITY				PART NUMBER			
Dia.	Width	Material	Roller Bearing	Tapered	OAH	Swivel Lead	Straight Roller	Precision Tapered	Swivel Radius	Wt.
6	2.50	Forged Steel	4,000	5,000	8.50	2.50	85-06251-20-1	85-06259-20-1	5.64	38.00
6	3.00	H.D. T/R Polyurethane		1,640	8.50	2.50		85-06309-66-1	5.70	37.00
6	3.00	H.D. Standard Polyurethane	2,500	2,500	8.50	2.50	85-06301-65-1	85-06309-65-1	5.70	40.00
6	3.00	Standard Polyurethane	2,050	2,050	8.50	2.50	85-06301-60-1	85-06309-60-1	5.70	37.00
6	3.00	Laminated Phenolic	2,500	2,500	8.50	2.50	85-06301-35-1	85-06309-35-1	5.70	30.00
6	3.00	Forged Steel	6,000	10,000	8.50	2.50	85-06301-20-1	85-06309-20-1	5.70	45.00
6	3.00	Cast Iron	2,500	2,500	8.50	2.50	85-06301-10-1	85-06309-10-1	5.70	36.00
6	4.00	H.D. Standard Polyurethane	3,000	3,000	8.50	2.50	85-06401-65-1	85-06409-65-1	5.85	36.00
8	3.00	Mold On Rubber	825	825	10.50	2.50	85-08301-70-1	85-08309-70-1	6.67	37.00
8	3.00	H.D. T/R Polyurethane	2,500	2,500	10.50	2.50	85-08301-66-1	85-08309-66-1	6.67	45.00
8	3.00	Standard Polyurethane	2,500	2,500	10.50	2.50	85-08301-60-1	85-08309-60-1	6.67	40.00
8	3.00	H.D. Standard Polyurethane	3,100	3,100	10.50	2.50	85-08301-65-1	85-08309-65-1	6.67	45.00
8	3.00	Laminated Phenolic	3,000	3,000	10.50	2.50	85-08301-35-1	85-08309-35-1	6.67	32.00
8	3.00	Forged Steel	4,500	5,500	10.50	2.50	85-08301-20-1	85-08309-20-1	6.67	44.00
8	3.00	Cast Iron	3,500	3,500	10.50	2.50	85-08301-10-1	85-08309-10-1	6.67	40.00
8	4.00	Standard Polyurethane	3,800	3,800	10.50	2.50	85-08401-60-1	85-08409-60-1	6.80	48.00
8	4.00	Forged Steel	8,400	10,000	10.50	2.50	85-08401-20-1	85-08409-20-1	6.80	48.00
10	3.00	Mold On Rubber	1,000	1,000	12.50	2.50	85-10301-70-1	85-10309-70-1	7.65	50.00
10	3.00	H.D. T/R Polyurethane	2,800	2,800	12.50	2.50	85-10301-66-1	85-10309-66-1	7.65	55.00
10	3.00	Standard Polyurethane	3,000	3,000	12.50	2.50	85-10301-60-1	85-10309-60-1	7.65	49.00
10	3.00	H.D. Standard Polyurethane	3,700	3,700	12.50	2.50	85-10301-65-1	85-10309-65-1	7.65	55.00
10	3.00	Laminated Phenolic	3,250	3,250	12.50	2.50	85-10301-35-1	85-10309-35-1	7.65	36.00
10	3.00	H.D. Forged Steel	5,000	6,500	12.50	2.50	85-10301-21-1	85-10309-21-1	7.65	54.00
10	3.00	Cast Iron	4,000	4,000	12.50	2.50	85-10301-11-1	85-10309-11-1	7.65	50.00
10	4.00	Mold On Rubber	1,500	1,500	12.50	2.50	85-10401-70-1	85-10409-70-1	7.76	51.00
10	4.00	Standard Polyurethane	4,200	4,200	12.50	2.50	85-10401-60-1	85-10409-60-1	7.76	55.00
10	4.00	H.D. Standard Polyurethane	5,000	5,000	12.50	2.50	85-10401-65-1	85-10409-65-1	7.76	60.00
10	4.00	Forged Steel	8,400	10,000	12.50	2.50	85-10401-20-1	85-10409-20-1	7.76	74.00
12	3.00	Mold On Rubber	1,125	1,125	15.50	2.50	85-12301-70-1	85-12309-70-1	8.63	55.00
12	3.00	H.D. T/R Polyurethane	2,900	2,900	15.50	2.50	85-12301-66-1	85-12309-66-1	8.63	57.00
12	3.00	H.D. Standard Polyurethane	3,850	3,850	15.50	2.50	85-12301-65-1	85-12309-65-1	8.63	53.00
12	3.00	Standard Polyurethane	3,500	3,500	15.50	2.50	85-12301-60-1	85-12309-60-1	8.63	55.00
12	4.00	Mold On Rubber	1,600	1,600	15.50	2.50	85-12401-70-1	85-12409-70-1	8.73	58.00
12	4.00	H.D. T/R Polyurethane	3,800	3,800	15.50	2.50	85-12401-66-1	85-12409-66-1	8.73	70.00
12	4.00	H.D. Standard Polyurethane	5,000	5,000	15.50	2.50	85-12401-65-1	85-12409-65-1	8.73	70.00
12	4.00	Ductile Iron	7,500	7,500	15.50	2.50	85-12401-12-1	85-12409-12-1	8.73	90.00

Capacity listed is for manual operation. For powered operations, consult factory.

Part Numbers listed are for the swivel casters. For rigid casters, change series to 80 and change the last digit from 1 to 2 (i.e. 80-12409-70-2)

Estimated weight is for swivel caster. Deduct 20 percent of swivel caster weight for rigid casters.

All dimensions are in inches. All weights are in pounds.

87

SERIES EXTRA HEAVY DUTY

5,000 ^{lbs} maximum capacity



Item Shown: 87-08302-43-1

FEATURES

Swivel Section: Sealed precision ball bearing with hardened raceways and neoprene seals.

Legs: 3/8" x 3" steel, formed and continuously welded on the inside and outside to the yoke base.

Kingpin: 1" Alloy Steel Kingpin.

Axle: 1" Diameter Axle.

Lubrication: Sealed ball bearing is lubricated and requires zero maintenance.

Wheels: 6" to 12" diameter wheels with widths from 2-1/2" to 4".

Finish: Gold dichromate plating.

BENEFITS

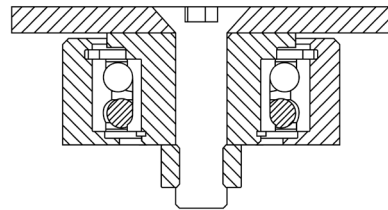
The 87 Series is maintenance free with its sealed precision ball bearing in the swivel section and in the wheels. The smooth rotation and extended lead help lower ergonomic forces.

APPLICATIONS

Suitable for power drawn applications, Automated Guided Vehicles (AGVs), aircraft wing and spar tooling, material carts, chassis rack carts, and aircraft maintenance stands.

Top Plate Size	Bolt Hole Spacing	Bolt Diameter
Std: 6.0 x 7.5	4.5 x 6.0	0.5

87 Series Cross Sectional View



OPTIONS

Brakes:

Poly Lock: P*
Face Contact: F

Swivel Locks:

Factory Installed: L
Demountable: DL

Toe Guard: TG

*For wheels with diameter >6

Contact the factory for special overall heights and finishes.

DUAL WHEEL DESIGN AVAILABLE

WHEEL			CAPACITY			PART NUMBER		
Dia.	Width	Material	Precision Ball	OAH	Swivel Lead	Precision Ball	Swivel Radius	Wt.
6	3.00	T/R Polyurethane	1640	9.50	3.00	<u>87-06302-61-1</u>	5.64	37.00
6	3.00	T/R-95 Polyurethane	2070	9.50	3.00	<u>87-06302-91-1</u>	5.70	37.00
6	3.00	HPPT Polyurethane	2300	9.50	3.00	<u>87-06302-90-1</u>	5.70	37.00
6	3.00	T/R Polyurethane	1640	9.50	3.00	<u>87-06302-93-1</u>	5.70	37.00
6	3.00	T/R-95 Polyurethane	2070	9.50	3.00	<u>87-06302-94-1</u>	5.70	37.00
8	3.00	T/R Polyurethane	2000	11.50	3.00	<u>87-08302-61-1</u>	6.67	45.00
8	3.00	T/R-95 Polyurethane	2800	11.50	3.00	<u>87-08302-91-1</u>	6.67	45.00
8	3.00	HPPT Polyurethane	3100	11.50	3.00	<u>87-08302-90-1</u>	6.67	45.00
8	3.00	T/R Polyurethane	2000	11.50	3.00	<u>87-08302-93-1</u>	6.67	45.00
8	3.00	T/R-95 Polyurethane	2800	11.50	3.00	<u>87-08302-94-1</u>	6.67	45.00
10	3.00	T/R Polyurethane	2400	13.50	3.00	<u>87-10302-61-1</u>	7.65	55.00
10	3.00	T/R-95 Polyurethane	3100	13.50	3.00	<u>87-10302-91-1</u>	7.65	55.00
10	3.00	HPPT Polyurethane	3450	13.50	3.00	<u>87-10302-90-1</u>	7.65	55.00
10	3.00	T/R Polyurethane	2400	13.50	3.00	<u>87-10302-93-1</u>	7.65	55.00
10	3.00	T/R-95 Polyurethane	3100	13.50	3.00	<u>87-10302-94-1</u>	7.65	55.00
12	3.00	T/R Polyurethane	2800	15.75	3.00	<u>87-12302-61-1</u>	8.63	57.00
12	3.00	T/R-95 Polyurethane	3400	15.75	3.00	<u>87-12302-91-1</u>	8.63	57.00
12	3.00	HPPT Polyurethane	3800	15.75	3.00	<u>87-12302-90-1</u>	8.63	57.00
12	3.00	T/R Polyurethane	2800	15.75	3.00	<u>87-12302-93-1</u>	8.63	57.00
12	3.00	T/R-95 Polyurethane	3400	15.75	3.00	<u>87-12302-94-1</u>	8.73	57.00

Capacity listed is for manual operation. For powered operations, consult factory.

Part Numbers listed are for the swivel casters. For rigid casters, change series to 80 and change the last digit from 1 to 2 (i.e. 80-12409-70-2)

Estimated weight is for swivel caster. Deduct 20 percent of swivel caster weight for rigid casters.

All dimensions are in inches. All weights are in pounds.

90

SERIES EXTRA HEAVY DUTY

8,000 ^{lbs} maximum capacity

FOR SEVERE DUTY



Item Shown: 90-14301-65-1

FEATURES

Swivel Section: Constructed of hot forged C-1045 steel with a 7" diameter machined load raceway featuring 5/8" diameter ball bearings with 1-1/4" tapered thrust bearing.

Legs: 1/2" x 4" legs formed and continuously welded both inside and outside for greater strength.

Kingpin: 1-1/4" integrally forged kingpin with slotted adjusting nut.

Axle: 1-1/4", Grade 5.

Lubrication: Pre-lubricated before shipping.

Wheels: 6" to 18" diameter wheels, 3" to 5" widths.

Finish: Gold dichromatic plating.

BENEFITS

The 90 Series bearing raceways are precision machined and then through hardened to eliminate brinelling of the surface when the caster is subjected to shock loads. A 1-1/4" tapered thrust bearing completes the precision fit of the raceway. This caster provides high load capacity at a good value.

Sealed Swivel: SSW

Sealed Wheels: SW

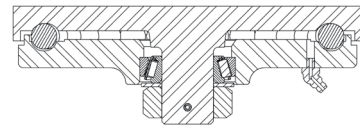
Toe Guard: TG

**For wheels with diameter >6*

DUAL WHEEL DESIGN AVAILABLE

Top Plate Size	Bolt Hole Spacing	Bolt Diameter
Std: 8.5 x 8.5	7.0 x 7.0	.675

90 Series Cross Sectional View



OPTIONS

Brakes:

Poly Lock: P*

Wrap Around: W*

Face Contact: F

Swivel Locks:

Factory Installed: L

Heavy Duty: HDL

Demountable: DL

Heavy Duty Demountable: DHDL

APPLICATIONS

The 90 Series are used for power drawn equipment, stamping racks, trash gondolas, material delivery trailers, and towed trailers. These casters are also widely used on aircraft ground support equipment, in automotive plants and within steel mills.

WHEEL			CAPACITY				PART NUMBER			
Dia.	Width	Material	Roller Bearing	Tapered	OAH	Swivel Lead	Straight Roller	Precision Tapered	Swivel Radius	Wt.
6	3.00	Forged Steel	5,500	8,000	9.00	2.25	<u>90-06301-20-1</u>	90-06309-20-1	5.46	60.00
6	3.00	H.D. Forged Steel		8,000	9.00	2.25		90-06309-21-1	5.46	60.00
6	3.00	Standard Polyurethane		2,500	9.00	2.25		90-06309-60-1	5.46	50.00
6	4.00	H.D. Standard Polyurethane	3,000	3,000	9.00	2.25	<u>90-06401-65-1</u>	90-06409-65-1	5.61	50.00
8	3.00	Polyurethane		2,500	11.00	2.25		90-08309-60-1	6.43	50.00
8	3.00	H.D. Cast Iron	4,500	4,500	11.00	2.25	<u>90-08301-11-1</u>	90-08309-11-1	6.43	65.00
8	4.00	Forged Steel	8,000	8,000	11.00	2.25	<u>90-08401-20-1</u>	90-08409-20-1	6.56	73.00
8	4.00	H.D. Forged Steel		8,000	11.00	2.25		90-08409-21-1	6.56	73.00
8	4.00	Standard Polyurethane	3,800	3,800	11.00	2.25	<u>90-08401-60-1</u>	90-08409-60-1	6.56	63.00
10	3.00	H.D. Forged Steel	6,000	6,500	13.00	2.50	<u>90-10301-21-1</u>	90-10309-21-1	7.65	62.00
10	3.00	Cast Iron	4,000	4,000	13.00	2.50	<u>90-10301-11-1</u>	90-10309-11-1	7.65	61.00
10	3.00	H.D. Standard Polyurethane		3,700	13.00	2.50		90-10309-65-1	7.65	51.00
10	4.00	Forged Steel	8,000	8,000	13.00	2.50	<u>90-10401-20-1</u>	90-10409-20-1	7.76	83.00
10	4.00	H.D. Forged Steel		8,000	13.00	2.50		90-10409-21-1	7.76	83.00
10	4.00	Standard Polyurethane	4,200	4,200	13.00	2.50	<u>90-10401-60-1</u>	90-10409-60-1	7.76	59.00
10	4.00	H.D. Polyurethane	5,000	5,000	13.00	2.50	<u>90-10401-65-1</u>	90-10409-65-1	7.76	68.00
10	4.00	Mold On Rubber	1,500	1,500	13.00	2.50	<u>90-10401-70-1</u>	90-10409-70-1	7.76	66.00
10	5.00	H.D. Standard Polyurethane	6,000	6,000	13.00	2.50	<u>90-10501-65-1</u>	90-10509-65-1	7.91	68.00
10	5.00	H.D. Hard Polyurethane (70D)	7,200	7,200	13.00	2.50	<u>90-10501-67-1</u>	90-10509-67-1	7.91	68.00
12	3.00	H.D. Standard Polyurethane	3,850	3,850	15.50	2.50	<u>90-12301-65-1</u>	90-12309-65-1	8.63	57.00
12	3.50	Phenolic Resin	4,000	4,000	15.50	2.50	<u>90-12351-30-1</u>	90-12359-30-1	8.68	60.00
12	3.50	Mold On Rubber	1,350	1,350	15.50	2.50	<u>90-12351-70-1</u>	90-12359-70-1	8.68	63.00
12	4.00	H.D. Standard Polyurethane	5,500	5,500	15.50	2.50	<u>90-12401-65-1</u>	90-12409-65-1	8.73	75.00
12	4.00	H.D. T/R Polyurethane	3,800	3,800	15.50	2.50	<u>90-12401-66-1</u>	90-12409-66-1	8.73	75.00
12	4.00	H.D. Hard Polyurethane (70D)	6,600	6,600	15.50	2.50	<u>90-12401-67-1</u>	90-12409-67-1	8.73	75.00
12	4.00	Mold On Rubber	1,600	1,600	15.50	2.50	<u>90-12401-70-1</u>	90-12409-70-1	8.73	71.00
12	4.00	Ductile Iron	7,500	7,500	15.50	2.50	<u>90-12401-12-1</u>	90-12409-12-1	8.73	90.00
12	5.00	H.D. Standard Polyurethane	6,250	6,250	15.50	2.50	<u>90-12501-65-1</u>	90-12509-65-1	8.86	90.00
12	5.00	H.D. Hard Polyurethane (70D)	7,500	7,500	15.50	2.50	<u>90-12501-67-1</u>	90-12509-67-1	8.86	90.00
12	5.00	Mold On Rubber	1,850	1,850	15.50	2.50	<u>90-12501-70-1</u>	90-12509-70-1	8.86	88.00
12	5.00	Ductile Iron	8,000	8,000	15.50	2.50	<u>90-12501-12-1</u>	90-12509-12-1	8.86	120.00
16	4.00	Laminated Phenolic	8,000	8,000	19.00	3.00	<u>90-16401-35-1</u>	90-16409-35-1	11.18	80.00
16	4.00	Cast Iron	7,500	7,500	19.00	3.00	<u>90-16401-10-1</u>	90-16409-10-1	11.18	105.00
16	4.00	H.D. Standard Polyurethane	6,000	6,000	19.00	3.00	<u>90-16401-65-1</u>	90-16409-65-1	11.18	109.00
16	4.00	Mold On Rubber	1,450	1,450	19.00	3.00	<u>90-16401-70-1</u>	90-16409-70-1	11.18	106.00
16	5.00	H.D. Standard Polyurethane	8,000	8,000	19.00	3.00	<u>90-16501-65-1</u>	90-16509-65-1	11.28	115.00
16	5.00	H.D. Hard Polyurethane (70D)	8,000	8,000	19.00	3.00	<u>90-16501-67-1</u>	90-16509-67-1	11.28	115.00
18	5.00	H.D. Standard Polyurethane	8,000	8,000	21.00	4.00	<u>90-18501-65-1</u>	90-18509-65-1	13.24	115.00
18	5.00	H.D. Hard Polyurethane (70D)	8,000	8,000	21.00	4.00	<u>90-18501-67-1</u>	90-18509-67-1	13.24	115.00

Capacity listed is for manual operation. For powered operations, consult factory.
 Part Numbers listed are for the swivel casters. For rigid casters, change the last digit from 1 to 2 (i.e. 90-10309-70-2)
 Estimated weight is for swivel caster. Deduct 15 pounds for rigid casters.
 All dimensions are in inches. All weights are in pounds.

91

SERIES **KINGPINLESS STYLE** 20,000 ^{LBS} maximum capacity FOR SEVERE DUTY



Item Shown: 91-12301-65-1

FEATURES

Swivel Section: Constructed of hot forged C-1045 steel, the single ball race design features 7/8" diameter load/thrust ball bearings in a 7" diameter precision machined load raceway

Legs: 1/2" x 4" legs are formed and continuously welded both inside and outside for greater strength.

Kingpin: Kingpinless style design.

Axle: 1-1/4", Grade 5.

Lubrication: Pre-lubricated before shipping.

Wheels: 6" to 18" diameter wheels, 3" to 5" widths.

Finish: Gold dichromatic plating.

Standard: Shielded swivel to reduce dust and dirt contamination.

BENEFITS

The raceways of the 91 Series kingpinless style casters are precision machined and then through hardened to eliminate brinelling of the surface. This unique swivel design allows the main caster bearing to operate in shear where the load and thrust forces bear on the 7/8" diameter ball bearings. The 91 Series offers a high strength swivel section that will easily swivel under extreme loads.

Sealed Swivel:..... SSW

Sealed Wheels:..... SW

Toe Guard:..... TG

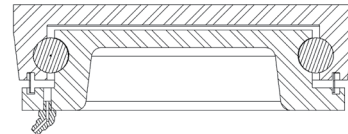
**For wheels with diameter >6*

Contact the factory for special finishes and overall heights.

DUAL WHEEL DESIGN AVAILABLE

Top Plate Size	Bolt Hole Spacing	Bolt Diameter
Std: 8.5 x 8.5	7.0 x 7.0	0.625

91 Series Cross Sectional View



OPTIONS

Brakes:

Poly Lock:..... P*
Wrap Around:..... W*
Face Contact:..... F

Swivel Locks:

Factory Installed:..... L
Heavy Duty:..... HDL
Demountable:..... DL
Heavy Duty Demountable:..... DHDL

APPLICATIONS

Specifically designed for severe applications, the 91 Series is ideal for die carts, tooling fixtures, aircraft engine stands, ground support equipment, aerospace A-frame skin dollies, portable jigs, large work platforms, mobile military equipment, aircraft maintenance stands and production line delivery trailers.

WHEEL			CAPACITY				PART NUMBER			
Dia.	Width	Material	Roller Bearing	Tapered	OAH	Swivel Lead	Straight Roller	Precision Tapered	Swivel Radius	Wt.
6	3.00	Forged Steel	6,000	10,000	9.50	2.25	<u>91-06301-20-1</u>	91-06309-20-1	5.46	60.00
6	3.00	H.D. Forged Steel		17,000	9.50	2.25		91-06309-21-1	5.46	60.00
6	4.00	H.D. Standard Polyurethane	3,000	3,000	9.50	2.25	<u>91-06401-65-1</u>	91-06409-65-1	8.61	60.00
8	4.00	Forged Steel	8,400	10,000	11.00	2.25	<u>91-08401-20-1</u>	91-08409-20-1	6.56	73.00
8	4.00	H.D. Forged Steel		20,000	11.00	2.25		91-08409-21-1	6.56	73.00
8	4.00	Standard Polyurethane	3,800	3,800	11.00	2.25	<u>91-08401-60-1</u>	91-08409-60-1	6.56	63.00
10	4.00	Forged Steel	8,400	10,000	13.00	2.50	<u>91-10401-20-1</u>	91-10409-20-1	7.76	83.00
10	4.00	H.D. Forged Steel		20,000	13.00	2.50		91-10409-21-1	7.76	83.00
10	4.00	Standard Polyurethane	4,200	4,200	13.00	2.50	<u>91-10401-60-1</u>	91-10409-60-1	7.76	59.00
10	4.00	H.D. Standard Polyurethane	5,000	5,000	13.00	2.50	<u>91-10401-65-1</u>	91-10409-65-1	7.76	68.00
10	4.00	Mold On Rubber	1,500	1,500	13.00	2.50	<u>91-10401-70-1</u>	91-10409-70-1	7.76	66.00
10	5.00	H.D. Standard Polyurethane	6,000	6,000	13.00	2.50	<u>91-10501-65-1</u>	91-10509-65-1	7.91	68.00
10	5.00	H.D. Hard Polyurethane (70D)	7,200	7,200	13.00	2.50	<u>91-10501-67-1</u>	91-10509-67-1	7.91	68.00
12	4.00	Ductile Iron	7,500	7,500	15.50	2.50	<u>91-12401-12-1</u>	91-12409-12-1	8.73	90.00
12	4.00	H.D. Standard Polyurethane	5,500	5,500	15.50	2.50	<u>91-12401-65-1</u>	91-12409-65-1	8.73	75.00
12	4.00	H.D. Hard Polyurethane (70D)	6,600	6,600	15.50	2.50	<u>91-12401-67-1</u>	91-12409-67-1	8.73	75.00
12	4.00	Mold On Rubber	1,600	1,600	15.50	2.50	<u>91-12401-70-1</u>	91-12409-70-1	8.73	71.00
12	5.00	Ductile Iron	10,000	15,000	15.50	2.50	<u>91-12501-12-1</u>	91-12509-12-1	8.86	135.00
12	5.00	H.D. Standard Polyurethane	6,250	6,250	15.50	2.50	<u>91-12501-65-1</u>	91-12509-65-1	8.86	90.00
12	5.00	H.D. Hard Polyurethane (70D)	7,800	7,800	15.50	2.50	<u>91-12501-67-1</u>	91-12509-67-1	8.86	90.00
12	5.00	Mold On Rubber	1,850	1,850	15.50	2.50	<u>91-12501-70-1</u>	91-12509-70-1	8.86	88.00
14	5.00	Cast Iron	7,000	7,000	17.50	3.00	<u>91-14501-10-1</u>	91-14509-10-1	10.31	100.00
16	4.00	Laminated Phenolic	8,400	9,400	19.00	3.00	<u>91-16401-35-1</u>	91-16409-35-1	11.18	80.00
16	4.00	H.D. Standard Polyurethane	6,000	6,000	19.00	3.00	<u>91-16401-65-1</u>	91-16409-65-1	11.18	109.00
16	4.00	Mold On Rubber	1,450	1,450	19.00	3.00	<u>91-16401-70-1</u>	91-16409-70-1	11.18	106.00
16	4.00	Cast Iron	7,500	7,500	19.00	3.00	<u>91-16401-10-1</u>	91-16409-10-1	11.18	110.00
16	5.00	H.D. Standard Polyurethane	8,000	8,000	19.00	3.00	<u>91-16501-65-1</u>	91-16509-65-1	11.28	115.00
16	5.00	H.D. Hard Polyurethane (70D)	8,000	8,000	19.00	3.00	<u>91-16501-67-1</u>	91-16509-67-1	11.28	115.00
18	5.00	H.D. Standard Polyurethane	8,500	8,500	21.00	4.00	<u>91-18501-65-1</u>	91-18509-65-1	13.24	125.00
18	5.00	H.D. Hard Polyurethane (70D)	9,000	9,000	21.00	4.00	<u>91-18501-67-1</u>	91-18509-67-1	13.24	125.00

Capacity listed is for manual operation. For powered operations, consult factory.

Part Numbers listed are for the swivel casters. For rigid casters, change series to 90 and change the last digit from 1 to 2 (i.e. 90-16509-67-2)

Estimated weight is for swivel caster. Deduct 15 pounds for rigid casters.

All dimensions are in inches. All weights are in pounds.

FOR TWICE THE LOAD CAPACITY, DUAL WHEELS ARE AVAILABLE. CONSULT THE FACTORY.

95

SERIES EXTRA HEAVY DUTY

17,000 ^{lbs} maximum capacity

FOR SEVERE DUTY



Item Shown: 95-12301-20-1

FEATURES

Swivel Section: Constructed of hot forged C-1045 steel with a 7" diameter raceway featuring precision tapered load and tapered thrust bearings.

Legs: 1/2" x 4" legs formed and continuously welded both inside and outside for greater strength.

Kingpin: 1-1/4" integrally forged kingpin with slotted adjusting nut.

Axle: 1-1/4" diameter axle.

Lubrication: Pre-lubricated before shipping.

Wheels: 6" to 18" diameter wheels.

Finish: Gold dichromatic plating.

BENEFITS

The 95 Series is ideal for applications where high load capacities are required and where the caster will ensure constant use under load.

The integrally forged kingpin and slotted adjusting nut add strength and longevity to the life of the swivel section.

Sealed Swivel:..... SSW

Sealed Wheels:..... SW

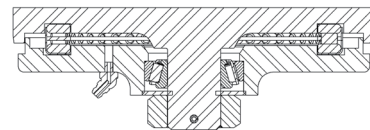
Toe Guard:..... TG

**For wheels with diameter >6*

DUAL WHEEL DESIGN AVAILABLE

Top Plate Size	Bolt Hole Spacing	Bolt Diameter
Std: 8.5 x 8.5	7.0 x 7.0	0.625

95 Series Cross Sectional View



OPTIONS

Brakes:

- Poly Lock:..... P*
- Wrap Around:..... W*
- Face Contact:..... F

Swivel Locks:

- Factory Installed:..... L
- Heavy Duty:..... HDL
- Demountable:..... DL
- Heavy Duty Demountable:..... DHDL

APPLICATIONS

Rugged applications include die carts, towed trailers, automotive plant equipment, aircraft maintenance stands, production line delivery trailers, paving machinery and boat dollies.

WHEEL			CAPACITY				PART NUMBER			
Dia.	Width	Material	Roller Bearing	Tapered	OAH	Swivel Lead	Straight Roller	Precision Tapered	Swivel Radius	Wt.
6	3.00	Forged Steel	6,000	10,000	9.00	2.25	<u>95-06301-20-1</u>	95-06309-20-1	5.46	60.00
6	3.00	H.D. Forged Steel		17,000	9.00	2.25		95-06309-21-1	5.46	60.00
6	3.00	Standard Polyurethane		2,500	9.00	2.25		95-06309-60-1	5.46	50.00
6	4.00	H.D. Standard Polyurethane	3,000	3,000	9.00	2.25	<u>95-06401-65-1</u>	95-06409-65-1	5.62	50.00
8	3.00	H.D. Standard Polyurethane	3,100	3,100	11.00	2.25	<u>95-08301-65-1</u>	95-08309-65-1	6.43	50.00
8	4.00	Forged Steel	8,400	10,000	11.00	2.25	<u>95-08401-20-1</u>	95-08409-20-1	6.56	73.00
8	4.00	H.D. Forged Steel		17,000	11.00	2.25		95-08409-21-1	6.56	73.00
8	4.00	Standard Polyurethane	3,800	3,800	11.00	2.25	<u>95-08401-60-1</u>	95-08409-60-1	6.56	63.00
10	3.00	Cast Iron	4,000	4,000	13.00	2.50	<u>95-10301-11-1</u>	95-10309-11-1	7.65	61.00
10	4.00	H.D. Forged Steel	6,000	6,000	13.00	2.50	<u>95-10301-21-1</u>	95-10309-21-1	7.65	62.00
10	4.00	Polyurethane		3,000	13.00	2.50		95-10309-60-1	7.65	51.00
10	4.00	H.D. Forged Steel		17,000	13.00	2.50		95-10309-21-1	7.76	83.00
10	4.00	Forged Steel	8,400	10,000	13.00	2.50	<u>95-10401-20-1</u>	95-10409-20-1	7.76	83.00
10	4.00	Standard Polyurethane	4,200	4,200	13.00	2.50	<u>95-10401-60-1</u>	95-10409-60-1	7.76	59.00
10	4.00	H.D. Standard Polyurethane	5,000	5,000	13.00	2.50	<u>95-10401-65-1</u>	95-10409-65-1	7.76	68.00
10	4.00	Mold On Rubber	1,500	1,500	13.00	2.50	<u>95-10401-70-1</u>	95-10409-70-1	7.76	66.00
10	5.00	H.D. Standard Polyurethane	6,000	6,000	13.00	2.50	<u>95-10501-65-1</u>	95-10509-65-1	7.91	68.00
12	3.00	H.D. Standard Polyurethane	3,850	3,850	15.50	2.50	<u>95-12301-65-1</u>	95-12309-65-1	8.63	57.00
12	3.50	Laminated Phenolic	4,700	4,700	15.50	2.50	<u>95-12351-35-1</u>	95-12359-35-1	8.68	59.00
12	3.50	Phenolic Resin	4,000	4,000	15.50	2.50	<u>95-12351-30-1</u>	95-12359-30-1	8.68	60.00
12	3.50	Mold On Rubber	1,350	1,350	15.50	2.50	<u>95-12351-70-1</u>	95-12359-70-1	8.68	63.00
12	4.00	Ductile Iron	7,500	7,500	15.50	2.50	<u>95-12401-12-1</u>	95-12409-12-1	8.73	90.00
12	4.00	H.D. Standard Polyurethane	5,500	5,500	15.50	2.50	<u>95-12401-65-1</u>	95-12409-65-1	8.73	75.00
12	4.00	H.D. T/R Polyurethane	4,400	4,400	15.50	2.50	<u>95-12401-66-1</u>	95-12409-66-1	8.73	75.00
12	4.00	H.D. Hard Polyurethane (70D)	6,600	6,600	15.50	2.50	<u>95-12401-67-1</u>	95-12409-67-1	8.73	75.00
12	4.00	Mold On Rubber	1,600	1,600	15.50	2.50	<u>95-12401-70-1</u>	95-12409-70-1	8.73	71.00
12	5.00	Ductile Iron	10,000	15,000	15.50	2.50	<u>95-12501-12-1</u>	95-12509-12-1	8.86	130.00
12	5.00	H.D. Standard Polyurethane	6,250	6,250	15.50	2.50	<u>95-12501-65-1</u>	95-12509-65-1	8.86	90.00
12	5.00	H.D. Hard Polyurethane (70D)	7,500	7,500	15.50	2.50	<u>95-12501-67-1</u>	95-12509-67-1	8.86	90.00
12	5.00	Mold On Rubber	1,850	1,850	15.50	2.50	<u>95-12501-70-1</u>	95-12509-70-1	8.86	88.00
14	5.00	Cast Iron	7,000	7,000	17.50	2.50	<u>95-14501-10-1</u>	95-14509-10-1	9.82	100.00
16	4.00	Laminated Phenolic	8,400	8,400	19.00	3.00	<u>95-16401-35-1</u>	95-16409-35-1	11.18	80.00
16	4.00	Cast Iron	7,500	7,500	19.00	3.00	<u>95-16401-10-1</u>	95-16409-10-1	11.18	105.00
16	4.00	H.D. Standard Polyurethane	6,000	6,000	19.00	3.00	<u>95-16401-65-1</u>	95-16409-65-1	11.18	109.00
16	4.00	Mold On Rubber	1,450	1,450	19.00	3.00	<u>95-16401-70-1</u>	95-16409-70-1	11.18	106.00
16	5.00	H.D. Standard Polyurethane	8,000	8,000	19.00	3.00	<u>95-16501-65-1</u>	95-16509-65-1	11.28	115.00
16	5.00	H.D. Hard Polyurethane (70D)	8,000	8,000	19.00	3.00	<u>95-16501-67-1</u>	95-16509-67-1	11.28	115.00
18	5.00	H.D. Standard Polyurethane	8,000	8,000	21.00	4.00	<u>95-18501-65-1</u>	95-18509-65-1	13.24	120.00
18	5.00	H.D. Hard Polyurethane (70D)	8,000	9,000	21.00	4.00	<u>95-18501-67-1</u>	95-18509-67-1	9.00	120.00

Capacity listed is for manual operation. For powered operations, consult factory.
 Part Numbers listed are for the swivel casters. For rigid casters, change series to 90 and change the last digit from 1 to 2 (i.e. 90-16509-67-2)
 Estimated weight is for swivel caster. Deduct 20 pounds for rigid casters.
 All dimensions are in inches. All weights are in pounds.

99

SERIES EXTRA HEAVY DUTY

35,000 ^{LBS} maximum capacity
FOR SEVERE DUTY



Item Shown: 99-18901-69-1

FEATURES

Swivel Section: Machined from C-1045 hot forged steel which has been precision machined for bearings. The swivel section features dual 9" and 12" diameter through hardened load races that use 7/8" diameter steel balls.

Legs: 3/4" legs are continuously welded both inside and outside for the greatest strength.

Kingpin: 1-1/2" diameter kingpin integrally forged into top plate features a slotted adjusting nut and heavy duty 1-1/2" sealed tapered thrust bearing.

Axle: 2" alloy steel

Lubrication: Pre-lubricated before shipping.

Wheels: Available in single and dual-wheel configurations. Single wheel diameters range from 12" to 28". Dual wheel diameters range from 10" to 22" as standard.

Finish: Water based acrylic black paint

BENEFITS

The 99 Series platform with heavy duty swivel casters is the ideal choice when payload protection far exceeds the capacity of the caster. The dual load race design assures smooth rotation of the caster and superior load capacity. Priced at production prices, the series offers flexibility and comfort in product design.

99 series swivel sections are used as a platform for many custom designed applications. Please consult the factory.

OPTIONS

Brakes:
Poly Lock: P
Face Contact: F

Swivel Locks:
Vertical Mounted: V
Heavy Duty: HDL

Sealed Wheel: SW

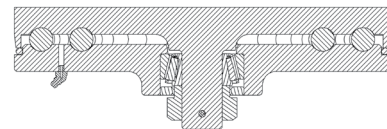
Toe Guard: TG

APPLICATIONS

Optimal for die handling, marine and automotive applications, the 99 Series also meets the needs for aerospace and aircraft ground support equipment.

Top Plate Size	Bolt Hole Spacing	Bolt Diameter
Std: 14.0 x 14.0	12.0 x 12.0	0.75

99 Series Cross Sectional View



WHEEL			CAPACITY			PART NUMBER		
Dia.	Width	Material	Needle Bearing	OAH	Swivel Lead	Needle Bearing	Swivel Radius	Wt.
Single Wheel								
12	5.00	Ductile Iron	18,000	16.50	3.00	99-12501-12-1	9.34	250.94
12	5.00	H.D. Hard Polyurethane (70D)	7,500	16.50	3.00	99-12501-67-1	9.34	178.30
15	9.00	H.D. Soft Polyurethane	8,700	19.50	3.50	99-15901-69-1	11.88	
18	9.00	H.D. Soft Polyurethane	10,900	22.00	4.50	99-18901-69-1	14.23	295.84
22	8.00	H.D. Soft Polyurethane	11,000	26.00	5.50	99-22801-69-1	16.98	
22	12.00	H.D. Soft Polyurethane	17,500	26.00	5.50	99-22121-69-1	17.56	
28	12.00	H.D. Soft Polyurethane	21,000	32.00	6.00	99-28121-69-1	20.88	
28	16.00	H.D. Soft Polyurethane	29,000	32.00	6.00	99-28161-69-1	21.54	
Dual Wheel								
10	4.00	H.D. Forged Steel	35,000	14.50	3.00	2-99-10401-21-1		
12	5.00	Ductile Iron	35,000	16.50	3.00	2-99-12501-12-1		
12	5.00	H.D. Hard Polyurethane (70D)	15,000	16.50	3.00	2-99-12501-67-1		244.46
18	9.00	H.D. Soft Polyurethane	21,800	22.00	4.50	2-99-18901-69-1		533.88
22	8.00	H.D. Soft Polyurethane	23,000	26.00	5.50	2-99-22801-69-1		429.86
22	12.00	H.D. Soft Polyurethane	35,000	26.00	5.50	2-99-22121-69-1		520.94

All dimensions are in inches. All weights are in pounds.

THE 99 SERIES PLATFORM CAN BE HIGHLY CUSTOMIZED FOR A BROAD RANGE OF APPLICATIONS.



112 SERIES MEDIUM HEAVY DUTY

1,500 ^{lbs} maximum capacity




Item Shown: SP13062321

FEATURES

Swivel Section: Sealed precision ball bearing with hardened raceways and neoprene seals.

Legs: 1/4" x 2" steel, formed and continuously welded on the inside and outside of the yoke base.

Kingpin: Kingpinless style design.

Axle: 1/2" diameter.

Lubrication: Sealed ball bearing is lubricated and requires zero maintenance.

Wheels: 6" to 10" diameter wheels are available with sealed precision ball bearings.

Finish: Clear zinc plating.

BENEFITS

The 112 series dual swivel section is maintenance free with its sealed precision ball bearing in the swivel section and in the wheels. The dual swivel action reduces castering effect, making it possible for a cart to go forwards and back in a straight line. This improves maneuverability in tight spaces and help reduce ergonomic push/pull forces.

APPLICATIONS

Excellent for production racks and fixtures, parts bins, conveyor systems, and other applications where maintenance free casters and ergonomics are concerns. Also works well for carts and Automated Guided Vehicles that need to maneuver in tight spaces.

OPTIONS

Brakes:

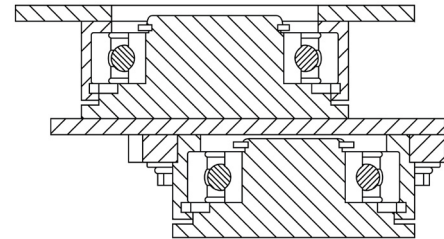
Cam: C
 Poly Lock: P*
 Face Contact: F

Toe Guard: TG

*For wheels with diameter ≥6

Top Plate Size	Bolt Hole Spacing	Bolt Diameter
Std: 4.5 x 6.25	2.438 x 4.938 Slotted to 3.375 x 5.25	0.5
OT 70: 5.0 x 7.25	3.375 x 5.25 Slotted to 4.125 x 6.125	0.5

112 Series Cross Sectional View



WHEEL			CAPACITY			PART NUMBER		
Dia.	Width	Material	Precision Ball	OAH	Swivel Lead	Precision Ball	Swivel Radius	Wt.
6	2	ErgoTread	910	9.875	4.25	112-06202-40-1	7.32	22.30
6	2	T/R Polyurethane	960	9.875	4.25	112-06202-61-1	7.32	22.30
6	2	T/R-95 Polyurethane	1,400	9.875	4.25	112-06202-91-1	7.32	22.30
6	2	HPPT Polyurethane	1,500	9.875	4.25	112-06202-90-1	7.32	22.30
6	2	ErgoTread	910	9.875	4.25	112-06202-44-1	7.32	22.30
6	2	T/R Polyurethane	960	9.875	4.25	112-06202-93-1	7.32	22.30
6	2	T/R-95 Polyurethane	1,400	9.875	4.25	112-06202-94-1	7.32	22.30
8	2	ErgoTread	1,178	12.5	4.25	112-08202-40-1	8.31	26.30
8	2	T/R Polyurethane	1,240	12.5	4.25	112-08202-61-1	8.31	26.30
8	2	T/R-95 Polyurethane	1,500	12.5	4.25	112-08202-91-1	8.31	26.30
8	2	HPPT Polyurethane	1,500	12.5	4.25	112-08202-90-1	8.31	26.30
8	2	ErgoTread	1,180	12.5	4.25	112-08202-44-1	8.31	26.30
8	2	T/R Polyurethane	1,240	12.5	4.25	112-08202-93-1	8.31	26.30
8	2	T/R-95 Polyurethane	1,800	12.5	4.25	112-08202-94-1	8.31	26.30
10	2	ErgoTread	1,500	13.88	4.25	112-10202-44-1	9.30	30.30
10	2	T/R Polyurethane	1,500	13.88	4.25	112-10202-93-1	9.30	30.30
10	2	T/R-95 Polyurethane	1,500	13.88	4.25	112-10202-94-1	9.30	30.30

Capacity listed is for manual operation. For powered operations, consult factory.
All dimensions are in inches. All weights are in pounds.

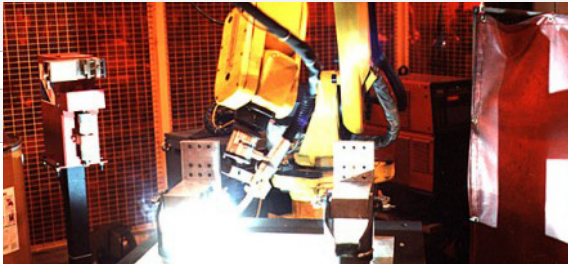


(ITEM SHOWN: SP13062321)

ADDITIONAL CAPABILITIES



Caster Concepts has additional capabilities for manufacturing, engineering and machining through our affiliates. Caster Concepts believes in going beyond standard in everything. This is just not a slogan but it is the way we conduct business. We are not your 'standard' caster supplier. We are in business to partner with our customers; to provide products and solutions that solve unique applications. This may mean we suggest a pre-designed caster or wheel or it may mean we custom engineer the product to the application. In either case we go beyond standard to provide the right solution to our customer's application with 100% satisfaction.



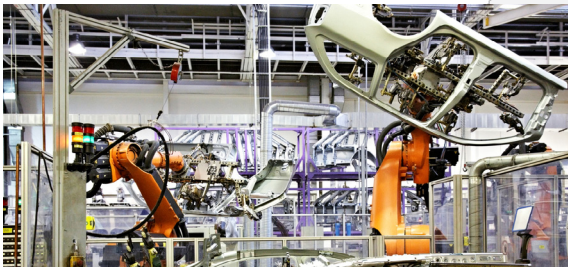
FABRICATING CONCEPTS

Fabricating Concepts is a multi-faceted laser cutting, forming and powder-coating company, and the home of LaserLine products.. FabCon utilizes the most modern high powered lasers and large press brakes and has the skills to serve a variety of industries and applications.



REACTION INDUSTRIES

Reaction Industries manufactures polyurethane for industrial casters and wheels and related markets. Whatever your polyurethane needs – MDI, TDI, remolding, short-run, long-run, special or standard material – look to Reaction to provide a high-quality poly product.



CONVEYOR CONCEPTS

Conveyor Concepts specializes in heavy-duty, custom conveyor parts for power driven conveyor applications. Our team can assist you from engineering of the conveyor parts specific to your application, through the fabrication and machining of final parts.



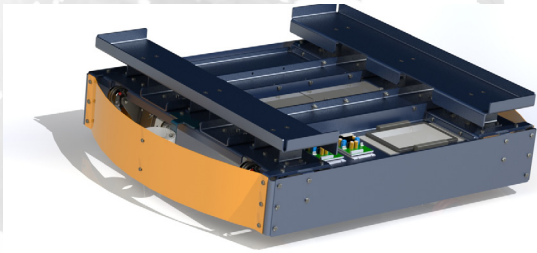
THE MACHINE CENTER

Whether your project is a long production run or a single piece customized order, **The Machine Center** is dedicated to meeting your needs and exceeding your expectations. We specialize in CNC mill and lathe work and as an ISO registered company, our focus is on quality and service.



ALBION MACHINE

Albion Machine serves a variety of sectors including: food processing, automotive, plastics and aerospace. We offer complete design and manufacture of fixtures, gages, tools and special machines. Our staff provides advanced designs for mechanical, electronic, hydraulic, and pneumatic applications. parts at competitive prices.



CONCEPTUAL INNOVATIONS

Specializes in helping small to medium sized manufacturing companies grow, **Conceptual Innovations** provides product development, finite element analysis, CAD, manufacturing documentation to creating prototypes, proof of concepts or even medium sized production runs.



LARCASTER

Larcaster torsion casters provide rugged and reliable support for all brands of forklifts. With a full line of spring loaded stabilizing casters, Larcaster products feature precise adjustment from the top, front, side and clamp of each model. Easily match your forklift with our online reverse lookup.

Ultimate
Performance

SHOCK ISOLATION MAKES THE CRITICAL DIFFERENCE



Modern Suspension Systems

Modern Suspension Systems heavy duty shock absorbing casters are made with rust-free aluminum and designed for loads up to 25,000 lbs. The Modern line is used in the most demanding applications to reduce vibration and noise, while protecting delicate products and surfaces.



Triple E, LLC

Supported by full engineering capabilities, **Triple E, LLC** is a modern machining business with CNC turning, multi axis milling, production broaching, centerless grinding, surface grinding and screw machining. Customers depend on Triple E to provide quality parts at competitive prices.

Let us go beyond standard for you.

Consider this family of businesses when you have outsourcing opportunities. All companies are certified by ISO 9001-2008 standards and capable of meeting your needs – on time – on demand – on budget.



Caster Concepts



Fabricating Concepts



Reaction Industries



Conveyor Concepts



The Machine Center



Albion Machine & Tool



Conceptual Innovations



Larcaster



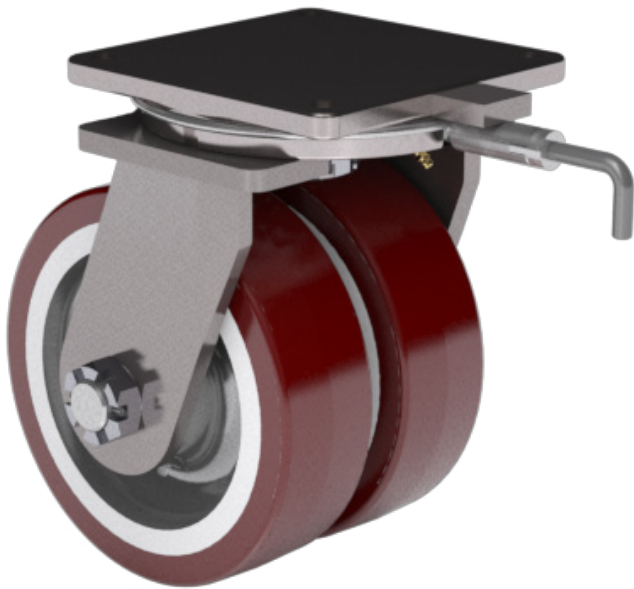
Modern Suspension



Triple E, LLC

DUAL WHEEL SERIES

20,000 LBS maximum capacity



Item Shown: 92-10309-68-1HDLSSW

FEATURES

Dual wheel casters are designed for heavy duty, extra heavy duty and super duty applications. Constructed of our popular hot forged C-1045 steel swivel sections, these dual wheel casters offer the highest possible capacity at the lowest overall height. The casters feature legs that are welded to a unique skirt design for greater strength and longevity.

BENEFITS

The large footprint for a greater distribution of load on the floor. Additionally, the larger casters have a vertical center leg to further enhance the load distribution. Less effort is needed when changing direction as the design allows the wheels to rotate at variable rates to compensate for the shorter radius in the arc.

OPTIONS

Brakes:

Poly Lock: P
Face Contact: F
Double Side: DS

Swivel Locks:

Factory Installed: L
Heavy Duty: HDL
Demountable: DL
Heavy Duty Demountable: DHDL

Sealed Swivel: SSW

Toe Guard: TG

APPLICATIONS

Excellent for tow lines, industrial platform trucks, rugged industrial functions and other severe abuse applications.

WHEEL			CAPACITY				PART NUMBER				
Dia.	Width	Material	Roller	Tapered	OAH	Swivel Lead	Straight Roller	Precision Tapered	Series	Swivel Radius	Wt.
4	1.50	Phenolic Resin	1,200		5.62	1.50	52-04101-30-1		50	3.89	9.50
4	1.50	Standard Polyurethane	1,350		5.62	1.50	52-04101-60-1		50	3.89	11.00
5	1.50	Phenolic Resin	1,200		6.50	1.75	52-05101-30-1		50	4.57	10.50
5	1.50	Standard Polyurethane	1,400		6.50	1.75	52-05101-60-1		50	4.57	11.50
6	2.00	Cast Iron	1,500		7.50	2.25	52-06201-10-1		50	5.75	21.00
6	2.00	Forged Steel	1,500		7.50	2.25	52-06201-20-1		50	5.75	20.00
6	2.00	Phenolic Resin	1,500		7.50	2.25	52-06201-30-1		50	5.75	13.00
6	2.00	Standard Polyurethane	1,500		7.50	2.25	52-06201-60-1		50	5.75	18.00
6	2.00	Mold On Rubber	820		7.50	2.25	52-06201-70-1		50	5.75	12.50
3	1.50	Standard Polyurethane	900		5.25	1.50	62-03101-60-1		60	3.44	9.00
4	1.50	Phenolic Resin	1,200		5.62	1.50	62-04101-30-1		60	3.89	9.50
4	1.50	Standard Polyurethane	1,350		5.62	1.50	62-04101-60-1		60	3.89	11.00
5	1.50	Phenolic Resin	1,200		6.50	1.75	62-05101-30-1		60	4.57	10.50
5	1.50	Standard Polyurethane	1,400		6.50	1.75	62-05101-60-1		60	4.57	11.50
4	1.50	Forged Steel	2,000		5.50	2.25	66-04101-20-1		65	4.57	14.00
4	2.00	Phenolic Resin	1,600		5.50	2.25	66-04201-30-1		65	4.85	11.00
4	2.00	Standard Polyurethane	1,500		5.50	2.25	66-04201-60-1		65	4.85	12.00
5	2.00	Forged Steel	2,000		6.50	2.25	66-05201-20-1		65	5.30	17.00
5	2.00	Phenolic Resin	2,000		6.50	2.25	66-05201-30-1		65	5.30	11.50
5	2.00	Standard Polyurethane	2,000		6.50	2.25	66-05201-60-1		65	5.30	15.00
6	2.00	Cast Iron	2,000		7.50	2.25	66-06201-10-1		65	5.75	21.00
6	2.00	Forged Steel	2,000		7.50	2.25	66-06201-20-1		65	5.75	20.00
6	2.00	Phenolic Resin	2,000		7.50	2.25	66-06201-30-1		65	5.75	13.00
6	2.00	Standard Polyurethane	2,000		7.50	2.25	66-06201-60-1		65	5.75	18.00
6	2.00	Mold on Rubber	820		7.50	2.25	66-06201-70-1		65	5.75	12.50
8	2.00	Cast Iron	2,000		10.12	2.25	66-08201-10-1		65	6.68	26.00
8	2.00	Phenolic Resin	2,000		10.12	2.25	66-08201-30-1		65	6.68	18.00
8	2.00	Standard Polyurethane	2,000		10.12	2.25	66-08201-60-1		65	6.68	25.00
8	2.00	Mold On Rubber	1,000		10.12	2.25	66-08201-70-1		65	6.68	35.00
6	2.50	Mold On Rubber	1,080	1,080	8.00	2.25	<u>72-06251-70-1</u>	72-06259-70-1	70	6.16	37.00
6	2.50	Standard Polyurethane	3,500	3,500	8.00	2.25	<u>72-06251-60-1</u>	72-06259-60-1	70	6.16	40.00
6	2.50	Phenolic Resin	3,500		8.00	2.25	<u>72-06251-30-1</u>	72-06259-30-1	70	6.16	26.00
6	2.50	Cast Iron	3,500	3,500	8.00	2.25	<u>72-06251-10-1</u>	72-06259-10-1	70	6.16	37.00
8	2.50	Mold On Rubber	1,340	1,340	10.50	2.50	<u>72-08251-70-1</u>	72-08259-70-1	70	7.25	38.00
8	2.50	Standard Polyurethane	3,500	3,500	10.50	2.50	<u>72-08251-60-1</u>	72-08259-60-1	70	7.25	40.00
8	2.50	Phenolic Resin	3,500		10.50	2.50	<u>72-08251-30-1</u>	72-08259-30-1	70	7.25	30.00
10	2.50	Mold On Rubber	1,550	1,550	12.50	2.50	<u>72-10251-70-1</u>	72-10259-70-1	70	8.16	42.00
10	2.50	Standard Polyurethane	3,500	3,500	12.50	2.50	<u>72-10251-60-1</u>	72-10259-60-1	70	8.16	52.00
10	2.50	Phenolic Resin	3,500	3,500	12.50	2.50	<u>72-10251-30-1</u>	72-10259-30-1	70	8.16	35.00
12	2.50	Mold On Rubber	1,800	1,800	14.00	2.50	<u>72-12251-70-1</u>	72-12259-70-1	70	9.09	51.00
12	2.50	Standard Polyurethane	3,500	3,500	14.00	2.50	<u>72-12251-60-1</u>	72-12259-60-1	70	9.09	58.00
12	2.50	Phenolic Resin	3,500	3,500	14.00	2.50	<u>72-12251-30-1</u>	72-12259-30-1	70	9.09	43.00



DUAL WHEEL 17,000 LBS

WHEEL			CAPACITY				PART NUMBER				
Dia.	Width	Material	Roller	Tapered	OAH	Swivel Lead	Straight Roller	Precision Tapered	Series	Swivel Radius	Wt.
6	3.00	Standard Polyurethane	4,100	4,100	9.00	2.50	82-06301-60-1	82-06309-60-1	80	6.54	44.00
6	3.00	Phenolic Resin	4,000	4,000	9.00	2.50	82-06301-30-1	82-06309-30-1	80	6.54	39.00
6	3.00	Forged Steel	5,000	5,000	9.00	2.50	82-06301-20-1	82-06309-20-1	80	6.54	65.00
8	3.00	Standard Polyurethane	5,000	5,000	11.00	2.50	82-08301-60-1	82-08309-60-1	80	7.40	50.00
8	3.00	Phenolic Resin	5,000	5,000	11.00	2.50	82-08301-30-1	82-08309-30-1	80	7.40	40.00
8	3.00	Forged Steel	5,000	5,000	11.00	2.50	82-08301-20-1	82-08309-20-1	80	7.40	62.00
8	3.00	Cast Iron	5,000	5,000	11.00	2.50	82-08301-10-1	82-08309-10-1	80	7.40	62.00
10	3.00	Standard Polyurethane	6,000	6,000	13.00	2.50	86-10301-60-1	86-10309-60-1	85	8.29	58.00
10	3.00	Phenolic Resin	5,800	5,800	13.00	2.50	86-10301-30-1	86-10309-30-1	85	8.29	45.00
10	3.00	H.D. Forged Steel	10,000	10,000	13.00	2.50	86-10301-21-1	86-10309-21-1	85	8.29	81.00
10	3.00	Cast Iron	6,000	6,000	13.00	2.50	86-10301-10-1	86-10309-10-1	85	8.29	71.00
6	3.00	Forged Steel	11,000	17,000	9.00	2.50	96-06301-20-1	96-06309-20-1	95	6.54	85.00
6	5.00	H.D. Standard Polyurethane		7,400	9.00	2.50		96-06509-65-1	95	7.80	90.00
8	3.00	H.D. Standard Polyurethane		6,200	11.00	2.50		96-08309-65-1	95	7.40	75.00
8	4.00	Standard Polyurethane	7,600	7,600	11.00	2.50	96-08401-60-1	96-08409-60-1	95	7.92	75.00
8	4.00	H.D. Forged Steel		17,000	11.00	2.50		96-08409-21-1	95	7.92	112.00
10	3.00	H.D. Standard Polyurethane	7,400	7,400	13.00	2.50	96-10301-65-1	96-10309-65-1	95	8.29	88.00
10	3.00	Laminated Phenolic	6,000	6,000	13.00	2.50	96-10301-35-1	96-10309-35-1	95	8.29	67.00
10	3.00	H.D. Forged Steel	12,000	13,000	13.00	2.50	96-10301-21-1	96-10309-21-1	95	8.29	123.00
10	4.00	H.D. Forged Steel		17,000	13.00	2.50		96-10409-21-1	95	8.76	140.00
10	4.00	H.D. Standard Polyurethane	10,000	10,000	13.00	2.50	96-10401-65-1	96-10409-65-1	95	8.76	103.00
10	4.00	Standard Polyurethane	8,400	8,400	13.00	2.50	96-10401-60-1	96-10409-60-1	95	8.76	90.00
10	5.00	H.D. Standard Polyurethane	12,000	12,000	13.00	2.50	96-10501-65-1	96-10509-65-1	95	9.32	103.00
12	3.00	H.D. Standard Polyurethane	7,700	7,700	15.50	2.50	96-12301-65-1	96-12309-65-1	95	9.20	108.00
12	3.50	Laminated Phenolic	8,500	8,500	15.50	2.50	96-12351-35-1	96-12359-35-1	95	9.52	97.00
12	4.00	H.D. Standard Polyurethane	11,000	11,000	15.50	2.50	96-12401-65-1	96-12409-65-1	95	9.52	120.00
12	4.00	H.D. Hard Polyurethane (70D)	13,000	13,000	15.50	2.50	96-12401-67-1	96-12409-67-1	95	9.52	100.00
12	5.00	H.D. Standard Polyurethane	12,500	12,500	15.50	2.50	96-12501-65-1	96-12509-65-1	95	10.14	150.00
12	5.00	H.D. Hard Polyurethane (70D)	15,000	15,000	15.50	2.50	96-12501-67-1	96-12509-67-1	95	10.14	130.00
16	5.00	H.D. Standard Polyurethane	16,000	16,000	19.00	4.00		96-16509-65-1	95	13.21	200.00
16	5.00	H.D. Hard Polyurethane (70D)	16,000	16,000	19.00	4.00		96-16509-67-1	95	13.21	200.00
18	5.00	H.D. Standard Polyurethane	17,000	17,000	23.00	4.00		96-18509-65-1	95	14.13	220.00
18	5.00	H.D. Hard Polyurethane (70D)	17,000	17,000	23.00	4.00		96-18509-67-1	95	14.13	220.00

Capacity listed is for manual operation. For powered operations, consult factory.

Part Numbers listed are for the swivel casters. For rigid casters, change the last digit from 1 to 2 (i.e. 96-10509-65-2)

See series codes for top plate and bolt hole dimensions.

All dimensions are in inches. All weights are in pounds.

DUAL WHEEL 20,000 LBS



DUAL WHEEL SERIES

CASTERS

WHEEL			CAPACITY				PART NUMBER				
Dia.	Width	Material	Roller	Tapered	OAH	Swivel Lead	Straight Roller	Precision Tapered	Swivel Radius	Series	Wt.
4	1.50	Phenolic Resin	1,200		5.63	2.25	2-51-04101-30-1		4.57	51	9.50
4	1.50	Standard Polyurethane	1,350		5.63	2.25	2-51-04101-60-1		4.57	51	11.00
5	1.50	Phenolic Resin	1,200		6.50	2.25	2-51-05101-30-1		5.04	51	10.50
5	1.50	Standard Polyurethane	1,400		6.50	2.25	2-51-05101-60-1		5.04	51	11.50
6	2.00	Cast Iron	1,500		7.50	2.50	2-51-06201-10-1		5.97	51	21.00
6	2.00	Forged Steel	1,500		7.50	2.50	2-51-06201-20-1		5.97	51	20.00
6	2.00	Phenolic Resin	1,500		7.50	2.50	2-51-06201-30-1		5.97	51	13.00
6	2.00	Polyurethane	1,500		7.50	2.50	2-51-06201-60-1		5.97	51	18.00
6	2.00	Mold On Rubber	820		7.50	2.50	2-51-06201-70-1		5.97	51	12.50
3	1.50	Standard Polyurethane	900		5.25	1.50	2-61-03101-60-1		3.44	61	9.00
4	1.50	Phenolic Resin	1,200		5.63	1.50	2-61-04101-30-1		3.88	61	9.50
4	1.50	Standard Polyurethane	1,350		5.63	1.50	2-61-04101-60-1		3.88	61	11.00
4	2.00	Phenolic Resin	1,600		5.88	2.25	2-61-04201-30-1		4.85	61	11.00
4	2.00	Standard Polyurethane	1,500		5.88	2.25	2-61-04201-60-1		4.85	61	12.00
5	1.50	Phenolic Resin	1,200		6.50	1.75	2-61-05101-30-1		4.57	61	10.50
5	1.50	Standard Polyurethane	1,400		6.50	1.75	2-61-05101-60-1		4.57	61	11.50
5	2.00	Forged Steel	3,000		6.88	2.25	2-61-05201-20-1		5.29	61	17.00
5	2.00	Phenolic Resin	2,000		6.88	2.25	2-61-05201-30-1		5.29	61	11.50
5	2.00	Standard Polyurethane	2,100		6.88	2.25	2-61-05201-60-1		5.29	61	15.00
5	2.00	Mold On Rubber	800		6.88	2.25	2-61-05201-70-1		5.29	61	12.50
6	2.00	Cast Iron	2,600		7.88	2.25	2-61-06201-10-1		5.74	61	21.00
6	2.00	Forged Steel	3,000		7.88	2.25	2-61-06201-20-1		5.74	61	20.00
6	2.00	Phenolic Resin	2,400		7.88	2.25	2-61-06201-30-1		5.74	61	13.00
6	2.00	Standard Polyurethane	2,400		7.88	2.25	2-61-06201-60-1		5.74	61	18.00
6	2.00	Mold On Rubber	850		7.88	2.25	2-61-06201-70-1		5.74	61	12.50
8	2.00	Cast Iron	3,000		10.13	2.25	2-61-08201-10-1		6.67	61	26.00
8	2.00	Phenolic Resin	2,800		10.13	2.25	2-61-08201-30-1		6.67	61	18.00
8	2.00	Standard Polyurethane	3,100		10.13	2.25	2-61-08201-60-1		6.67	61	25.00
8	2.00	Mold On Rubber	1,000		10.13	2.25	2-61-08201-70-1		6.67	61	35.00
6	3.00	Mold On Rubber	1,400	1,400	8.00	2.25	2-71-06301-70-1	2-71-06309-70-1	6.29	71	37.00
6	3.00	Standard Polyurethane	4,100	4,100	8.00	2.25	2-71-06301-60-1	2-71-06309-60-1	6.29	71	40.00
6	3.00	Phenolic Resin	4,000		8.00	2.25	2-71-06301-30-1		6.29	71	26.00
6	3.00	Cast Iron	4,500	4,500	8.00	2.25	2-71-06301-10-1	2-71-06309-10-1	6.29	71	37.00
8	3.00	Mold On Rubber	1,700	1,700	10.50	2.50	2-71-08301-70-1	2-71-08309-70-1	7.36	71	38.00
8	3.00	Standard Polyurethane	4,500	4,500	10.50	2.50	2-71-08301-60-1	2-71-08309-60-1	7.36	71	40.00
8	3.00	Phenolic Resin	4,500		10.50	2.50	2-71-08301-30-1		7.36	71	30.00
10	3.00	Mold On Rubber	2,000	2,000	12.50	2.50	2-71-10301-70-1	2-71-10309-70-1	8.26	71	42.00
10	3.00	Standard Polyurethane	4,500	4,500	12.50	2.50	2-71-10301-60-1	2-71-10309-60-1	8.26	71	52.00
10	3.00	Phenolic Resin	4,500	4,500	12.50	2.50	2-71-10301-30-1	2-71-10309-30-1	8.26	71	35.00
12	3.00	Mold On Rubber	2,250	2,250	14.00	2.50	2-71-12301-70-1	2-71-12309-70-1	9.18	71	51.00
12	3.00	Standard Polyurethane	4,500	4,500	14.00	2.50	2-71-12301-60-1	2-71-12309-60-1	9.18	71	58.00
12	3.00	Phenolic Resin	4,500	4,500	14.00	2.50	2-71-12301-30-1	2-71-12309-30-1	9.18	71	43.00



DUAL WHEEL 20,000 LBS

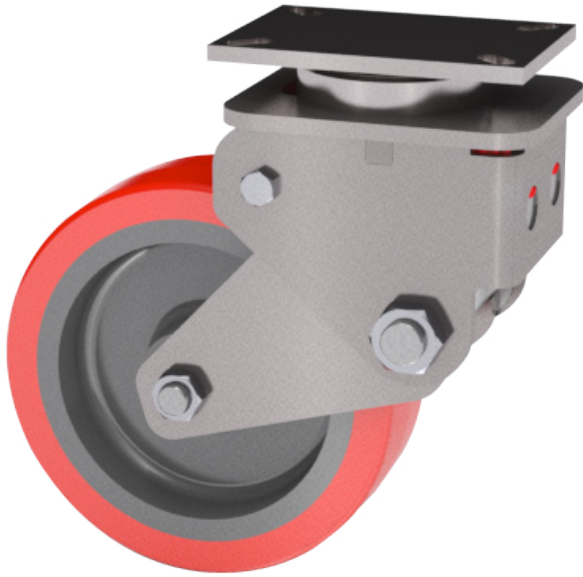
WHEEL			CAPACITY				PART NUMBER				
Dia.	Width	Material	Roller	Tapered	OAH	Swivel Lead	Straight Roller	Precision Tapered	Swivel Radius	Series	Wt.
6	3.00	Standard Polyurethane	4,100	4,100	9.00	2.50	2-81-06301-60-1	2-81-06309-60-1	6.53	81	44.00
6	3.00	Phenolic Resin	4,000	4,000	9.00	2.50	2-81-06301-30-1	2-81-06309-30-1	6.53	81	39.00
6	3.00	Forged Steel	10,000	10,000	9.00	2.50	2-81-06301-20-1	2-81-06309-20-1	6.53	81	65.00
8	3.00	Standard Polyurethane	5,000	5,000	11.00	2.50	2-81-08301-60-1	2-81-08309-60-1	7.39	81	50.00
8	3.00	Phenolic Resin	5,000	5,000	11.00	2.50	2-81-08301-30-1	2-81-08309-30-1	7.39	81	40.00
8	3.00	Forged Steel	9,000	9,000	11.00	2.50	2-81-08301-20-1	2-81-08309-20-1	7.39	81	62.00
8	3.00	Cast Iron	7,000	7,000	11.00	2.50	2-81-08301-10-1	2-81-08309-10-1	7.39	81	62.00
10	3.00	Standard Polyurethane	6,000	6,000	13.00	2.50	2-81-10301-60-1	2-81-10309-60-1	8.28	81	58.00
10	3.00	Phenolic Resin	5,800	5,800	13.00	2.50	2-81-10301-30-1	2-81-10309-30-1	8.28	81	45.00
10	3.00	H.D. Forged Steel	10,000	10,000	13.00	2.50	2-81-10301-21-1	2-81-10309-21-1	8.28	81	81.00
10	3.00	Cast Iron	7,000	7,000	13.00	2.50	2-81-10301-10-1	2-81-10309-10-1	8.28	81	71.00
6	3.00	Forged Steel	12,000	12,000	9.50	2.50	2-91-06301-20-1	2-91-06309-20-1	6.53	91	85.00
6	5.00	H.D. Standard Polyurethane		7,400	9.75	2.50		2-91-06509-65-1	7.80	91	90.00
8	3.00	H.D. Standard Polyurethane		6,200	11.50	2.50		2-91-08309-65-1	7.39	91	75.00
8	4.00	Standard Polyurethane	7,600	7,600	11.50	2.50	2-91-08401-60-1	2-91-08409-60-1	7.92	91	75.00
8	4.00	H.D. Forged Steel		20,000	11.50	2.50		2-91-08409-21-1	7.92	91	112.00
10	3.00	H.D. Standard Polyurethane	7,400	7,400	13.50	2.50	2-91-10301-65-1	2-91-10309-65-1	8.28	91	88.00
10	3.00	Laminated Phenolic	6,800	6,800	13.50	2.50	2-91-10301-35-1	2-91-10309-35-1	8.28	91	67.00
10	3.00	H.D. Forged Steel	12,000	12,000	13.50	2.50	2-91-10301-21-1	2-91-10309-21-1	8.28	91	123.00
10	4.00	H.D. Forged Steel		20,000	13.50	2.50		2-91-10409-21-1	8.76	91	140.00
10	4.00	H.D. Standard Polyurethane	10,000	10,000	13.50	2.50	2-91-10401-65-1	2-91-10409-65-1	8.76	91	103.00
10	4.00	Standard Polyurethane	8,400	8,400	13.50	2.50	2-91-10401-60-1	2-91-10409-60-1	8.76	91	90.00
10	5.00	H.D. Standard Polyurethane	12,000	12,000	13.75	2.50	2-91-10501-65-1	2-91-10509-65-1	9.31	91	103.00
12	3.00	H.D. Standard Polyurethane	7,700	7,700	15.50	2.50	2-91-12301-65-1	2-91-12309-65-1	9.20	91	108.00
12	3.50	Laminated Phenolic	8,500	8,500	15.50	2.50	2-91-12351-35-1	2-91-12359-35-1	9.51	91	97.00
12	4.00	H.D. Standard Polyurethane	11,000	11,000	15.50	2.50	2-91-12401-65-1	2-91-12409-65-1	9.63	91	120.00
12	4.00	H.D. Hard Polyurethane (70D)	13,000	13,000	15.50	2.50	2-91-12401-67-1	2-91-12409-67-1	10.14	91	120.00
12	5.00	H.D. Standard Polyurethane	12,500	12,500	15.75	2.50	2-91-12501-65-1	2-91-12509-65-1	10.14	91	150.00
12	5.00	H.D. Hard Polyurethane (70D)	15,000	15,000	15.75	2.50	2-91-12501-67-1	2-91-12509-67-1	10.14	91	130.00
16	5.00	H.D. Standard Polyurethane		16,000	19.75	4.00		2-91-16509-65-1	13.21	91	200.00
16	5.00	H.D. Hard Polyurethane (70D)		18,000	19.75	4.00		2-91-16509-67-1	13.21	91	200.00
18	5.00	H.D. Standard Polyurethane		17,000	21.75	4.00		2-91-18509-65-1	14.12	91	220.00
18	5.00	H.D. Hard Polyurethane (70D)		18,000	21.75	4.00		2-91-18509-67-1	14.12	91	220.00
20	5.00	H.D. Standard Polyurethane		18,000	23.75	4.00		2-91-20509-65-1	15.05	91	240.00
20	5.00	H.D. Hard Polyurethane (70D)		20,000	23.75	4.00		2-91-20509-67-1	15.05	91	240.00



SHOCK ABSORBING SERIES

20,000 LBS maximum capacity

SHOCK ABSORBING SERIES



Item Shown: 73-10302-66-1N

FEATURES

Our popular shock absorbing casters have swivel sections that are constructed of high alloy steel and are precision machined for close tolerances and long life. These casters feature legs of thick section plate steel. Integrally forged kingpins are available from 3/4" to 1-1/4" in diameter. In normal configurations, these swivel sections will carry 3 to 4 times their listed capacity.

CASTERS

BENEFITS

The high strength chrome vanadium springs provide longer life through constant flexing and compressing. The spring compression starts with as little as 25 pounds loading per caster resulting in cushioned loads and quiet empty returns. The long swivel lead reduces excessive shimmy and vibration while towing.

APPLICATIONS

Shock absorbing casters are ideal for jet engine dollies, aircraft jacks, in-plant trailers, trash gondolas, lift truck stabilizer casters, revolving signs and parade floats.

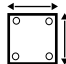
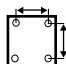

OPTIONS

Brakes:

Poly Lock: P
Face Contact: F

Swivel Locks:

Factory Installed: L
Demountable: DL

		
Top Plate Size	Bolt Hole Spacing	Bolt Diameter
Std. 53: 4.0 x 5.0	2.625 x 3.625 Slotted to 3.0 x 3.0	0.375
Std. 63/67: 4.5 x 6.25	2.438 x 4.938 Slotted to 3.375 x 5.25	0.5
Std. 73: 5.0 x 7.25	3.375 x 5.25 Slotted to 4.125 x 6.125	0.5
Std. 83: 6.0 x 7.5	4.5 x 6.0	0.5
Std. 93: 8.5 x 8.5	7.0 x 7.0	0.625



SHOCK ABSORBING 20,000 LBS

WHEEL			CAPACITY				PART NUMBER				
Dia.	Width	Material	Roller	Tapered	OAH	Swivel Lead	Straight Roller	Precision Tapered	Series	Swivel Radius	Wt.
4	2.00	Standard Polyurethane	500		7.31	1.75	53-04201-60-1		50	3.88	13.00
4	2.00	Mold On Rubber	400		7.31	1.75	53-04201-71-1		50	3.88	13.00
4	2.00	Phenolic Resin	500		7.31	1.75	53-04201-30-1		50	3.88	12.00
5	2.00	Standard Polyurethane	500		7.81	1.75	53-05201-60-1		50	4.37	13.00
5	2.00	Mold On Rubber	400		7.81	1.75	53-05201-71-1		50	4.37	13.00
5	2.00	Phenolic Resin	500		7.81	1.75	53-05201-30-1		50	4.37	12.00
6	2.00	Standard Polyurethane	500		9.25	2.25	53-06201-60-1		50	5.34	15.00
6	2.00	Mold On Rubber	425		9.25	2.25	53-06201-71-1		50	5.34	15.00
6	2.00	Phenolic Resin	500		9.25	2.25	53-06201-30-1		50	5.34	13.00
8	2.00	Standard Polyurethane	500		11.63	3.25	53-08201-60-1		50	7.32	16.00
8	2.00	Mold On Rubber	500		11.63	3.25	53-08201-71-1		50	7.32	16.00
8	2.00	Phenolic Resin	500		11.63	3.25	53-08201-30-1		50	7.32	13.00
5	2.00	Standard Polyurethane	400		7.50	2.75	63-05201-60-1		60	5.34	13.00
5	2.00	Mold On Rubber	400		7.50	2.75	63-05201-71-1		60	5.34	13.00
5	2.00	Phenolic Resin	400		7.50	2.75	63-05201-30-1		60	5.34	11.00
6	2.00	Standard Polyurethane	500		8.50	2.38	63-06201-60-1		60	5.47	15.00
6	2.00	Mold On Rubber	500		8.50	2.38	63-06201-71-1		60	5.47	15.00
6	2.00	Phenolic Resin	500		8.50	2.38	63-06201-30-1		60	5.47	13.00
8	2.00	Standard Polyurethane	500		10.50	3.50	63-08201-60-1		60	7.57	16.00
8	2.00	Mold On Rubber	410		10.50	3.50	63-08201-71-1		60	7.57	16.00
8	2.00	Phenolic Resin	500		10.50	3.50	63-08201-30-1		60	7.57	13.00
6	2.50	Standard Polyurethane	800	800	9.50	3.63	67-06255-60-1	67-06257-60-1	65	6.74	27.00
6	2.50	Mold On Rubber	670	670	9.50	3.63	67-06255-70-1	67-06257-70-1	65	6.74	26.00
6	2.50	Phenolic Resin	800	800	9.50	3.63	67-06255-30-1	67-06257-30-1	65	6.74	18.00
8	2.50	Standard Polyurethane	800	800	11.50	4.00	67-08255-60-1	67-08257-60-1	65	8.10	25.00
8	2.50	Mold On Rubber	670	670	11.50	4.00	67-08255-70-1	67-08257-70-1	65	8.10	25.00
8	2.50	Phenolic Resin	800	800	11.50	4.00	67-08255-30-1	67-08257-30-1	65	8.10	20.00
10	2.50	Standard Polyurethane	800	800	14.00	5.50	67-10255-60-1	67-10257-60-1	65	10.57	32.00
10	2.50	Mold On Rubber	800	800	14.00	5.50	67-10255-70-1	67-10257-70-1	65	10.57	27.00
10	2.50	Phenolic Resin	800	800	14.00	5.50	67-10255-30-1	67-10257-30-1	65	10.57	22.00
6	3.00	Standard Polyurethane	1,100	1,100	10.00	4.00	73-06301-60-1	73-06309-60-1	71	7.16	35.00
6	3.00	Mold On Rubber	700	700	10.00	4.00	73-06301-70-1	73-06309-70-1	71	7.16	34.00
6	3.00	Phenolic Resin	1,100	1,100	10.00	4.00	73-06301-30-1	73-06309-30-1	71	7.16	28.00
8	3.00	Standard Polyurethane	1,100	1,100	12.00	4.00	73-08301-60-1	73-08309-60-1	71	8.14	38.00
8	3.00	Mold On Rubber	850	850	12.00	4.00	73-08301-70-1	73-08309-70-1	71	8.14	38.00
8	3.00	H.D. T/R Polyurethane	1,100	1,100	12.00	4.00	73-08301-66-1	73-08309-66-1	71	8.14	32.00
10	3.00	Standard Polyurethane	1,100	1,100	13.50	4.50	73-10301-60-1	73-10309-60-1	71	9.62	45.00
10	3.00	Mold On Rubber	1,100	1,100	13.50	4.50	73-10301-70-1	73-10309-70-1	71	9.62	42.00
10	3.00	H.D. T/R Polyurethane	1,100	1,100	13.50	4.50	73-10301-66-1	73-10309-66-1	71	9.62	38.00

SHOCK ABSORBING 20,000 LBS



SHOCK ABSORBING SERIES

CASTERS

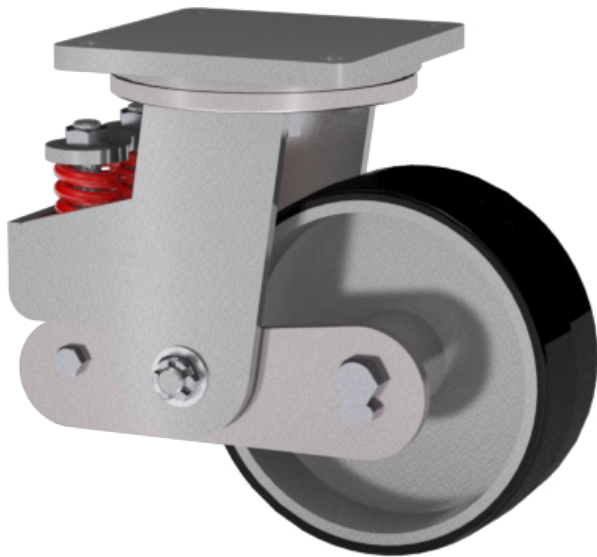
WHEEL			CAPACITY				PART NUMBER				
Dia.	Width	Material	Roller	Tapered	OAH	Swivel Lead	Straight Roller	Precision Tapered	Series	Swivel Radius	Wt.
8	3.00	Standard Polyurethane	1,700	1,700	12.00	4.00	<u>83-08301-60-1</u>	83-08309-60-1	80	8.14	58.00
8	3.00	Mold On Rubber	825	825	12.00	4.00	<u>83-08301-70-1</u>	83-08309-70-1	80	8.14	58.00
8	3.00	H.D. T/R Polyurethane	1,700	1,700	12.00	4.00	<u>83-08301-66-1</u>	83-08309-66-1	80	8.14	48.00
10	3.00	Standard Polyurethane	1,700	1,700	14.50	4.50	<u>83-10301-60-1</u>	83-10309-60-1	80	9.62	65.00
10	3.00	Mold On Rubber	1,000	1,000	14.50	4.50	<u>83-10301-70-1</u>	83-10309-70-1	80	9.62	55.00
10	3.00	H.D. T/R Polyurethane	1,700	1,700	14.50	4.50	<u>83-10301-66-1</u>	83-10309-66-1	80	9.62	50.00
12	3.00	Standard Polyurethane	1,500	1,500	17.00	5.50	<u>83-12301-60-1</u>	83-12309-60-1	80	11.60	65.00
12	3.00	Mold On Rubber	1,150	1,150	17.00	5.50	<u>83-12301-70-1</u>	83-12309-70-1	80	11.60	62.00
12	3.00	Phenolic Resin	1,500	1,500	17.00	5.50	<u>83-12301-30-1</u>	83-12309-30-1	80	11.60	64.00
10	4.00	Standard Polyurethane	4,000	4,000	16.25	3.50		93-10409-60-1	91	8.73	100.00
10	4.00	Forged Steel	4,000	4,000	16.25	3.50		93-10409-20-1	91	8.73	110.00
10	5.00	H.D. Standard Polyurethane	4,000	4,000	16.25	3.50		93-10509-65-1	91	8.86	110.00
Super Duty Shock Absorbing Dual Wheel Casters											
10	5.00	H.D. Standard Polyurethane		8,000	16.25	3.50		2-93-10509-65-1	91		250.00
18	5.00	H.D. Standard Polyurethane		20,000	25.50	4.50		103-18509-65-1	91		400.00

Capacity listed is for manual operation. For powered operations, consult factory.
 Part Numbers listed are for the swivel casters. For rigid casters, change the last digit from 1 to 2 (i.e. 83-12309-30-2)
 Estimated weight is for swivel caster. Deduct 20 percent for rigid casters.
 All dimensions are in inches. All weights are in pounds.
 # Swivel radius for unloaded casters.



VERTICAL MOUNTED SERIES

3,800 LBS maximum capacity



Item Shown: 94-10401-70-1

FEATURES

Vertical mounted spring (VMS) casters offer the highest flexibility in design. Each caster features springs that are retained on threaded rod ends for pre-load capabilities. Pre-loading the caster causes the caster to stand strong to a predetermined load before any deflection.

The VMS caster can be built with standard components and varying capacities by simply changing out the springs.

OPTIONS

Brakes:

- Poly Lock: P
- Face Contact: F
- Single Side: SS

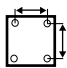
Swivel Locks:

- Factory Installed: L
- Demountable: DL

Available with dual wheels and pneumatic tires.

APPLICATIONS

VMS casters are ideal for jet engine dollies, aircraft jacks, in-plant trailers, trash gondolas, lift truck stabilizer casters, revolving signs and parade floats.

		
Top Plate Size	Bolt Hole Spacing	Bolt Diameter
Std. 34: 4.0 x 4.5	2.625 x 3.625 Slotted to 3.0 x 3.0	0.375
Std. 54: 4.0 x 5.0	2.625 x 3.625 Slotted to 3.0 x 3.0	0.375
Std. 64: 4.5 x 6.25	2.438 x 4.938 Slotted to 3.375 x 5.25	0.5
Std. 74: 5.25 x 7.25	3.375 x 5.25 Slotted to 4.125 x 6.125	0.5
Std. 84: 6.0 x 7.5	4.5 x 6.0	0.5
Std. 94: 8.5 x 8.5	7.0 x 7.0	0.625

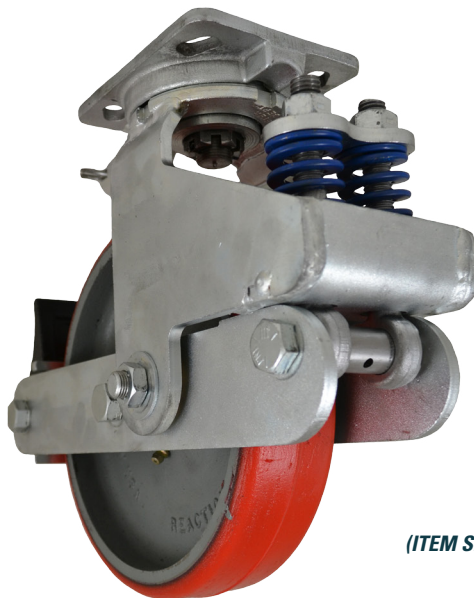
WHEEL			CAPACITY			PART NUMBER				
Dia.	Width	Material	Roller Bearing	OAH	Swivel Lead	Straight Roller	Precision Tapered	Series	Swivel Radius	Wt.
6	2.00	Standard Polyurethane	500	8.50	2.30	34-06201-60-1		30	5.39	14.00
6	2.00	Phenolic Resin	500	8.50	2.30	34-06201-30-1		30	5.39	9.50
6	2.00	Mold On Rubber	425	8.50	2.30	34-06201-70-1		30	5.39	9.00
6	2.00	T/R Polyurethane	500	8.50	2.30	34-06201-61-1		30	5.39	14.00
8	2.00	Standard Polyurethane	500	9.75	2.75	34-08201-60-1		30	6.82	16.00
8	2.00	Phenolic Resin	500	9.75	2.75	34-08201-30-1		30	6.82	11.00
8	2.00	Mold On Rubber	425	9.75	2.75	34-08201-70-1		30	6.82	11.00
8	2.00	T/R Polyurethane	500	9.75	2.75	34-08201-61-1		30	6.82	16.00
6	2.00	Standard Polyurethane	500	8.50	1.75	54-06201-60-1		50	4.85	16.00
6	2.00	Phenolic Resin	500	8.50	1.75	54-06201-30-1		50	4.85	12.00
6	2.00	Mold On Rubber	425	8.50	1.75	54-06201-70-1		50	4.85	11.50
6	2.00	T/R Polyurethane	500	8.50	1.75	54-06201-61-1		50	4.85	16.00
8	2.00	Standard Polyurethane	500	10.50	1.75	54-08201-60-1		50	5.84	18.00
8	2.00	Phenolic Resin	500	10.50	1.75	54-08201-30-1		50	5.84	13.00
8	2.00	Mold On Rubber	425	10.50	1.75	54-08201-70-1		50	5.84	13.00
8	2.00	T/R Polyurethane	500	10.50	1.75	54-08201-61-1		50	5.84	18.00
8	2.50	Standard Polyurethane	800	11.50	2.25	64-08255-60-1		60	6.37	23.00
8	2.50	Phenolic Resin	800	11.50	2.25	64-08255-30-1		60	6.37	20.00
8	2.50	Mold On Rubber	700	11.50	2.25	64-08255-70-1		60	6.37	25.00
8	2.50	T/R Polyurethane	800	11.50	2.25	64-08255-61-1		60	6.37	23.00
10	2.50	Standard Polyurethane	800	13.50	2.25	64-10255-60-1		60	7.36	32.00
10	2.50	Phenolic Resin	800	13.50	2.25	64-10255-30-1		60	7.36	22.00
10	2.50	Mold On Rubber	700	13.50	2.25	64-10255-70-1		60	7.36	32.00
10	2.50	T/R Polyurethane	800	13.50	2.25	64-10255-61-1		60	7.36	32.00
8	3.00	Standard Polyurethane	1,500	11.50	3.00	74-08301-60-1	74-08309-60-1	70	7.16	44.00
8	3.00	Phenolic Resin	1,500	11.50	3.00	74-08301-30-1	74-08309-30-1	70	7.16	35.00
8	3.00	Mold On Rubber	850	11.50	3.00	74-08301-70-1	74-08309-70-1	70	7.16	45.00
8	3.00	H.D. T/R Polyurethane	1,500	11.50	3.00	74-08301-66-1	74-08309-66-1	70	7.16	45.00
10	3.00	Standard Polyurethane	1,500	13.50	3.00	74-10301-60-1	74-10309-60-1	70	8.14	49.00
10	3.00	Phenolic Resin	1,500	13.50	3.00	74-10301-30-1	74-10309-30-1	70	8.14	39.00
10	3.00	Mold On Rubber	1,000	13.50	3.00	74-10301-70-1	74-10309-70-1	70	8.14	49.00
10	3.00	H.D. T/R Polyurethane	1,500	13.50	3.00	74-10301-66-1	74-10309-66-1	70	8.14	49.00
12	3.00	Standard Polyurethane	1,500	15.50	3.00	74-12301-60-1	74-12309-60-1	70	9.12	58.00
12	3.00	Phenolic Resin	1,500	15.50	3.00	74-12301-30-1	74-12309-30-1	70	9.12	43.00
12	3.00	Mold On Rubber	1,000	15.50	3.00	74-12301-70-1	74-12309-70-1	70	9.12	52.00
12	3.00	H.D. T/R Polyurethane	1,500	15.50	3.00	74-12301-66-1	74-12309-66-1	70	9.12	62.00



VERTICAL MOUNTED 3,800 LBS

WHEEL			CAPACITY			PART NUMBER				
Dia.	Width	Material	Roller Bearing	OAH	Swivel Lead	Straight Roller	Precision Tapered	Series	Swivel Radius	Wt.
8	3.00	Standard Polyurethane	2,500	11.50	3.00	<u>84-08301-60-1</u>	84-08309-60-1	80	7.16	50.00
8	3.00	Phenolic Resin	2,500	11.50	3.00	<u>84-08301-30-1</u>	84-08309-30-1	80	7.16	42.00
8	3.00	Mold On Rubber	850	11.50	3.00	<u>84-08301-70-1</u>	84-08309-70-1	80	7.16	47.00
8	3.00	H.D. T/R Polyurethane	2,500	11.50	3.00	84-08301-66-1	84-08309-66-1	80	7.16	55.00
10	3.00	Standard Polyurethane	2,500	13.50	4.00	84-10301-60-1	84-10309-60-1	80	9.12	59.00
10	3.00	Phenolic Resin	2,500	13.50	4.00	84-10301-30-1	84-10309-30-1	80	9.12	46.00
10	3.00	Mold On Rubber	1,000	13.50	4.00	84-10301-70-1	84-10309-70-1	80	9.12	60.00
12	3.00	Standard Polyurethane	2,500	15.50	4.00	84-12301-60-1	84-12309-60-1	80	10.11	67.00
12	3.00	Phenolic Resin	2,500	15.50	4.00	84-12301-30-1	84-12309-30-1	80	10.11	56.00
12	3.00	Mold On Rubber	1,150	15.50	4.00	84-12301-70-1	84-12309-70-1	80	10.11	65.00
12	3.00	H.D. T/R Polyurethane	2,500	15.50	4.00	84-12301-66-1	84-12309-66-1	80	10.11	70.00
10	4.00	Standard Polyurethane	3,800	13.50	4.00	94-10401-60-1	94-10409-60-1	90	9.22	70.00
10	4.00	Mold On Rubber	1,500	13.50	4.00	94-10401-70-1	94-10409-70-1	90	9.22	77.00
10	4.00	H.D. Standard Polyurethane	3,800	13.50	4.00	94-10401-65-1	94-10409-65-1	90	9.22	79.00
12	4.00	H.D. Standard Polyurethane	3,800	15.50	4.00	94-12401-65-1	94-12409-65-1	90	10.20	86.00
12	4.00	Mold On Rubber	1,600	15.50	4.00	94-12401-70-1	94-12409-70-1	90	10.20	86.00
12	4.00	H.D. T/R Polyurethane	3,800	15.50	4.00	94-12401-66-1	94-12409-66-1	90	10.20	86.00

All dimensions are in inches. All weights are in pounds.
 # Swivel radius for unloaded casters.



(ITEM SHOWN: 54-08201-61-1P)



PNEUMATIC WHEEL SERIES

7,260 LBS maximum capacity



Item Shown: 70-18609-76-1

FEATURES

The complete line of single or dual-wheel pneumatic casters offers load carrying capacities from 320 pounds to 7,260. The swivel sections are constructed of C-1045 hot forged steel with double row ball bearing swivels for long service life. The 80 Series and larger casters have tapered thrust bearings in the swivel. The legs are continuously welded both inside and outside for added strength. Standard: Wheels 16" and larger are supplied with high-speed tapered bearings standard.

BENEFITS

These casters offer the greatest possible protection to both loads and floors. The pneumatic tires cushion the load and roll over obstructions with ease. These casters provide longer wheel life, less maintenance and high shock absorbency. The long swivel offset aids in swiveling and tracking in towing applications. When the caster is subjected to towing, tapered bearings are recommended.

APPLICATIONS

Excellent shock absorbing benefits make these casters ideal for uneven floors and indoor and outdoor rough terrain. They are ideal on aircraft ground support equipment, helicopter dollies, roof maintenance equipment, mobile construction shelters, and other equipment carrying electronics or other highly sensitive materials.

OPTIONS

Brakes:

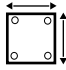
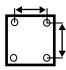

Pneumatic Poly Cam:..... PP
Face Contact:..... F

Swivel Locks:

Factory Installed:..... L
Demountable:..... DL

Sealed Swivel:..... SSW

Toe Guard:..... TG

 Top Plate Size	 Bolt Hole Spacing	 Bolt Diameter
Std. 30: 4.0 x 4.5	2.625 x 3.625 Slotted to 3.0 x 3.0	0.375
Std. 50: 4.0 x 5.0	2.625 x 3.625 Slotted to 3.0 x 3.0	0.375
Std. 51: 4.0 x 5.0	2.625 x 3.625 Slotted to 3.0 x 3.0	0.375
Std. 60: 4.5 x 6.25	2.438 x 4.93 Slotted to 3.375 x 5.25	0.5
Std. 61: 4.5 x 6.25	2.438 x 4.938 Slotted to 3.375 x 5.25	0.5
Std. 70: 5.25 x 7.5	3.375 x 5.25 Slotted to 4.125 x 6.125	0.625
Std. 71: 5.0 x 7.25 x 0.38	3.375 x 5.25 Slotted to 4.125 x 6.125	0.5
Std. 80: 6.0 x 7.5	4.5 x 6.0	0.5
Std. 81: 6.25 x 7.63	4.5 x 6.0	0.5
Std. 90: 8.5 x 8.5	7.0 x 7.0	0.625
Std. 91: 8.5 x 8.5	7.0 x 7.0	0.625



PNEUMATIC WHEEL 7,260 LBS

WHEEL			CAPACITY			PART NUMBER			
Dia.	Size	Ply Rating	Capacity	OAH	Swivel Lead	Bearing	Series	Swivel Radius	Wt.
8	2.80/4	4	295	11.00	2.63	30-08301-76-1	30	6.79	13.00
8	2.80/4	4	295	11.00	2.63	50-08301-76-1	50	6.79	13.00
8	2.80/4	4	295	11.00	2.63	51-08301-76-1	51	6.79	13.00
8	2.80/4	4	295	11.00	2.63	60-08301-76-1	60	6.79	13.00
8	2.80/4	4	295	11.00	2.63	61-08301-76-1	61	6.79	13.00
10	4.10/4	4	352	13.00	3.25	30-10351-76-1	30	8.43	15.00
10	4.10/4	4	352	13.00	3.25	50-10351-76-1	50	8.43	15.00
10	4.10/4	4	352	13.00	3.25	51-10351-76-1	51	8.43	15.00
10	4.10/4	4	352	13.00	3.25	60-10351-76-1	60	8.43	15.00
10	4.10/4	4	352	13.00	3.25	61-10351-76-1	61	8.43	15.00
12	4.10/6	4	675	15.50	3.50	30-12401-76-1	30	9.71	18.00
12	4.10/6	4	675	15.50	3.50	50-12401-76-1	50	9.71	18.00
12	4.10/6	4	675	15.50	3.50	51-12401-76-1	51	9.71	18.00
12	4.10/6	4	675	15.50	3.50	60-12401-76-1	60	9.71	18.00
12	4.10/6	4	675	15.50	3.50	61-12401-76-1	61	9.71	18.00
14	5.30/6	4	710	17.75	4.00	70-14451-76-1	70	11.23	31.00
14	5.30/6	4	710	17.75	4.00	71-14451-76-1	71	11.23	31.00
Deluxe Type with Tapered Roller Wheel Bearings									
16	4.80/8	6	1,230	19.13	4.50	70-16609-76-1	70	12.73	37.00
16	4.80/8	6	1,230	19.13	4.50	71-16609-76-1	71	12.73	37.00
16	4.80/8	6	1,230	19.13	4.00	80-16609-76-1	80	12.24	45.00
16	4.80/8	6	1,230	19.13	4.00	81-16609-76-1	81	12.24	45.00
18	5.70/8	6	1,560	21.50	4.50	80-18609-76-1	80	13.83	55.00
18	5.70/8	6	1,560	21.50	4.50	81-18609-76-1	81	13.83	56.00
18	5.70/8	8	1,655	21.50	4.50	80-18609-77-1	80	13.83	56.00
18	5.70/8	8	1,655	21.50	4.50	81-18609-77-1	81	13.83	56.00
21	6.90/9	10	2,420	24.25	5.00	90-21609-76-1	90	15.88	80.00
21	6.90/9	10	2,420	24.25	5.00	91-21609-76-1	91	15.88	80.00
23	6.50/10	10	2,775	26.25	5.00	90-23609-76-1	90	16.82	87.00
23	6.50/10	10	2,775	26.25	5.00	91-23609-76-1	91	16.82	87.00
25	7.50/10	10	3,630	28.75	5.00	90-25609-76-1	90	17.90	90.00
25	7.50/10	10	3,630	28.75	5.00	91-25609-76-1	91	17.90	90.00

PNEUMATIC WHEEL 7,260 LBS



PNEUMATIC WHEEL SERIES

CASTERS

WHEEL			CAPACITY			PART NUMBER		
Dia.	Size	Ply Rating	Capacity	OAH	Swivel Lead	Bearing	Series	Wt.
Dual Wheel Pneumatic Casters								
8	2.80/4	4	590	11.00	2.63	32-08301-76-1	30	20.00
8	2.80/4	4	590	11.00	2.63	2-51-08301-76-1	50	20.00
8	2.80/4	4	590	11.00	2.63	52-08301-76-1	51	20.00
8	2.80/4	4	590	11.00	2.63	2-61-08301-76-1	61	20.00
8	2.80/4	4	590	11.00	2.63	62-08301-76-1	60	20.00
10	4.10/4	4	900	13.00	3.25	32-10351-76-1	30	22.50
10	4.10/4	4	704	13.00	3.25	2-51-10351-76-1	51	22.50
10	4.10/4	4	704	13.00	3.25	52-10351-76-1	50	22.50
10	4.10/4	4	704	13.00	3.25	2-61-10351-76-1	61	22.50
10	4.10/4	4	704	13.00	3.25	62-10351-76-1	60	22.50
12	4.10/6	4	900	15.50	3.50	32-12401-76-1	30	30.00
12	4.10/6	4	1,350	15.50	3.50	2-51-12401-76-1	51	33.00
12	4.10/6	4	1,350	15.50	3.50	52-12401-76-1	50	33.00
12	4.10/6	4	1,350	15.50	3.50	2-61-12401-76-1	61	30.00
12	4.10/6	4	1,350	15.50	3.50	62-12401-76-1	60	30.00
12	4.10/6	4	1,350	15.50	4.00	2-71-12401-76-1	71	36.00
12	4.10/6	4	1,350	15.50	4.00	72-12401-76-1	70	36.00
14	5.30/6	4	1,420	17.75	4.00	2-71-14451-76-1	71	45.00
14	5.30/6	4	1,420	17.75	4.00	72-14451-76-1	70	45.00
Dual Wheel Deluxe Type with Tapered Roller Wheel Bearings								
16	4.80/8	6	2,460	19.13	4.50	2-71-16609-76-1	71	55.00
16	4.80/8	6	2,460	19.13	4.50	72-16609-76-1	70	55.00
16	4.80/8	6	2,460	19.13	4.50	2-81-16609-76-1	81	71.00
16	4.80/8	6	2,460	19.13	4.50	82-16609-76-1	80	71.00
18	5.70/8	6	3,120	21.50	4.50	2-81-18609-76-1	81	82.00
18	5.70/8	6	3,120	21.50	4.50	82-18609-76-1	80	82.00
18	5.70/8	8	3,310	21.50	4.50	2-81-18609-77-1	81	84.00
18	5.70/8	8	3,310	21.50	4.50	82-18609-77-1	80	84.00
21	6.90/9	10	4,840	24.25	5.00	2-91-21609-76-1	91	130.00
21	6.90/9	10	4,840	24.25	5.00	92-21609-76-1	90	130.00
23	6.50/10	10	5,550	26.25	5.00	2-91-23609-76-1	91	135.00
23	6.50/10	10	5,550	26.25	5.00	92-23609-76-1	90	135.00
25	7.50/10	10	7,260	28.75	5.00	2-91-25609-76-1	91	142.00
25	7.50/10	10	7,260	28.75	5.00	92-25609-76-1	90	142.00

All dimensions are in inches. All weights are in pounds.

V-GROOVE WHEEL SERIES

15,000 lbs maximum capacity



Item Shown: 80-06309-25-2

FEATURES

V-groove caster swivel sections are hot forged from C-1045 steel. The wheels are highly adaptable and can operate on angle iron track or on normal floor surfaces. A relief groove at the base of the "V" equalizes the load to each face of the angle track. In addition, all wheel faces and "V" grooves are machined concentric to the bore for proper tracking. The wheel bearings are either straight roller bearings or precision tapered roller bearings.

APPLICATIONS

V-groove wheels are used for exceptionally heavy loads where precise alignment or indexing or equipment is necessary. These casters are capable of guiding industrial ovens, paint booths and other similar equipment.

WHEEL			CAPACITY				PART NUMBER			
Dia.	Width	Material	Roller	Tapered	OAH	Swivel Lead	Straight Roller	Precision Tapered	Series	Wt.
4	2.00	Cast Iron	1,000		5.63	1.50	50-04201-15-1		50	7.00
4	2.00	Cast Iron	1,000		5.63	1.50	60-04201-15-1		60	10.00
6	2.50	Cast Iron	2,000	2,000	7.50	2.50	65-06251-15-1	65-06259-15-1	65	23.00
6	2.50	Cast Iron	2,500	2,500	8.00	2.50	70-06251-15-1	70-06259-15-1	70	27.00
6	3.00	Forged Steel	5,000	5,000	8.50	2.50	80-06301-25-1	80-06309-25-1	80	45.00
6	3.00	Forged Steel	6,000	10,000	8.50	2.50	85-06301-25-1	85-06309-25-1	85	45.00
6	3.00	Forged Steel	6,000	10,000	9.00	2.25	90-06301-25-1	90-06309-25-1	90	60.00
6	3.00	H.D. Forged Steel	15,000		9.00	2.25		95-06309-26-1	95	50.00
8	2.50	Cast Iron	2,500	2,500	10.50	2.50	70-08251-15-1	70-08259-15-1	70	35.00
8	3.00	Cast Iron	2,000	2,000	10.13	2.50	65-08301-15-1	65-08309-15-1	65	36.00
8	3.00	Cast Iron	3,500	3,500	10.50	2.50	70-08301-15-1	70-08309-15-1	70	40.00
8	3.00	Forged Steel	3,500	3,500	10.50	2.50	70-08301-25-1	70-08309-25-1	70	33.00
8	3.00	Forged Steel	5,000	5,000	10.50	2.50	80-08301-25-1	80-08309-25-1	80	45.00
8	4.00	Forged Steel	5,000	5,000	10.50	2.50	80-08401-25-1	80-08409-25-1	80	55.00
8	4.00	Forged Steel	8,000	8,000	11.00	2.25	90-08401-25-1	90-08409-25-1	90	73.00
8	4.00	Forged Steel	8,400	10,000	10.50	2.50	85-08401-25-1	85-08409-25-1	85	55.00
8	4.00	Forged Steel	8,400	10,000	11.00	2.25	95-08401-25-1	95-08409-25-1	95	73.00
8	4.00	H.D. Forged Steel		15,000	11.00	2.25		95-08409-26-1	95	73.00
10	3.00	Cast Iron	3,500	3,500	12.50	2.50	70-10301-15-1	70-10309-15-1	70	45.00
10	3.00	H.D. Cast Iron	4,000	4,000	12.50	2.50	80-10301-16-1	80-10309-16-1	80	55.00
10	3.00	H.D. Cast Iron	4,000	4,000	13.00	2.50	90-10301-16-1	90-10309-16-1	90	65.00
10	3.00	H.D. Forged Steel	5,000	5,000	12.50	2.50	80-10301-26-1	80-10309-26-1	80	55.00
10	3.00	H.D. Forged Steel	6,000	6,000	12.50	2.50	85-10301-26-1	85-10309-26-1	85	53.00
10	3.00	H.D. Forged Steel	8,000	8,400	13.00	2.50	90-10301-26-1	90-10309-26-1	90	68.00
10	4.00	Forged Steel	5,000	5,000	12.50	2.50	80-10401-25-1	80-10409-25-1	80	74.00
10	4.00	Forged Steel	8,400	10,000	12.50	2.50	85-10401-25-1	85-10409-25-1	85	74.00
10	4.00	Forged Steel	8,000	8,000	13.00	2.50	90-10401-25-1	90-10409-25-1	90	89.00
10	4.00	Forged Steel	8,400	10,000	13.00	2.50	95-10401-25-1	95-10409-25-1	95	89.00
10	4.00	H.D. Forged Steel		15,000	13.00	2.50		95-10409-26-1	95	89.00
12	4.00	Ductile Iron	8,400	10,000	15.50	2.50	91-12401-16-1	91-12409-16-1	91	141.00
12	5.00	Ductile Iron	9,500	10,000	15.50	2.50	91-12501-16-1	91-12509-16-1	91	157.00

Capacity listed is for manual operation. For powered operations, consult factory.

Part Numbers listed are for the swivel casters. For rigid casters, change the last digit from 1 to 2 (i.e. 95-10409-26-1-2)

Estimated weight is for swivel caster. Deduct 20 percent for rigid casters.

For specific V-groove dimensions, see page 52. All dimensions are in inches. All weights are in pounds.

FLANGED WHEEL SERIES

10,000 LBS maximum capacity



Item Shown: 60-03101-18-2

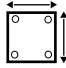
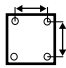

FEATURES

The flanged wheels are constructed of premium cast iron, ductile iron, or forged steel for high strength and long wear. These wheels are designed to operate on a steel track for minimal guidance and rolling effort. The flanged wheel casters are rigid casters used for locating fixtures in a precise position for indexing through a work cycle.

APPLICATIONS

Applications include production lines, foundry cooling lines, mobile cranes, amusement parks, trollies, autoclave tooling, etc.

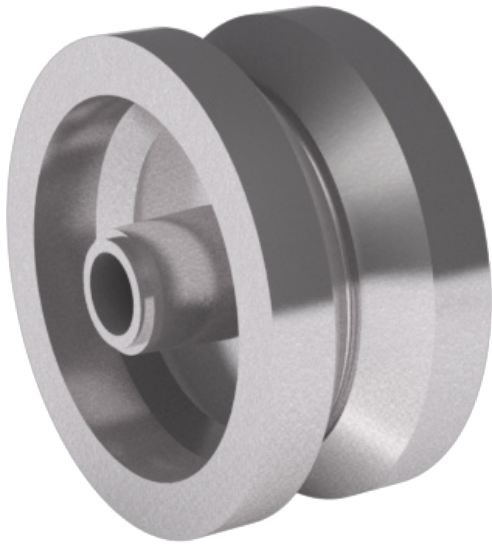
Note: No brake options for Taper bearings on these casters.

 Top Plate Size	 Bolt Hole Spacing	 Bolt Diameter
Std. 30: 4.0 x 4.5	2.625 x 3.625 Slotted to 3.0 x 3.0	0.375
Std. 50: 4.0 x 5.0	2.625 x 3.625 Slotted to 3.0 x 3.0	0.375
Std. 60: 4.5 x 6.25	2.438 x 4.93 Slotted to 3.375 x 5.25	0.5
Std. 70: 5.0 x 7.25	3.375 x 5.25 Slotted to 4.125 x 6.125	0.5
Std. 80: 6.0 x 7.5	4.5 x 6.0	0.5
Std. 90/91/95: 8.5 x 8.5	7.0 x 7.0	0.625

WHEEL			CAPACITY			PART NUMBER			
Dia.	Width	Material	Roller Bearing	Precision Tapered	OAH	Straight Roller	Precision Tapered	Series	Wt.
Single Flanged Rigid Casters									
3.50	1.30	Cast Iron	1,000		5.38	50-03101-18-2		50	10.00
3.50	1.30	Cast Iron	1,000		5.38	60-03101-18-2		60	10.00
5.00	2.06	Forged Steel	6,000	10,000	8.00	80-05201-28-2	80-05209-28-2	80	30.00
5.00	2.06	Forged Steel	6,000	10,000	8.50	90-05201-28-2	90-05209-28-2	90	30.00
6.13	1.69	Cast Iron	3,000	3,500	8.06	70-06201-18-2	70-06209-18-2	70	36.00
6.13	1.69	Cast Iron	3,000	5,000	8.56	80-06201-18-2	80-06209-18-2	80	39.00
7.87	1.75	Cast Iron	2,500	2,500	10.06	65-08201-18-2	65-08209-18-2	65	29.00
7.87	1.75	Cast Iron	2,500	2,500	10.44	70-08201-18-2	70-08209-18-2	70	30.00
7.87	2.25	Cast Iron	3,500	3,500	10.44	70-07251-18-2	70-07259-18-2	70	30.00
7.87	2.25	Cast Iron	3,500	3,500	10.44	80-07251-18-2	80-07259-18-2	80	33.00
8.00	2.25	Cast Iron	3,500	3,500	10.50	70-08251-18-2	70-08259-18-2	70	34.00
8.00	2.25	Cast Iron	3,500	3,500	10.50	80-08251-18-2	80-08259-18-2	80	37.00
8.00	2.38	Forged Steel	6,000	10,000	10.50	80-08201-28-2	80-08209-28-2	80	63.00
8.00	2.38	Forged Steel	6,000	10,000	11.00	90-08201-28-2	90-08209-28-2	90	63.00
10.00	4.00	Ductile Iron		12,000	14.50		95-10409-18-2	95	150.00
15.00	2.50	Ductile Iron	8,000		18.44	95-15251-18-2		95	
Dual Flanged Rigid Casters									
5.00	1.69	Forged Steel	6,000	10,000	8.00	80-05201-29-2	80-05209-29-2	80	32.00
5.00	1.69	Forged Steel	6,000	10,000	8.50	90-05201-29-2	90-05209-29-2	90	32.00
6.00	2.13	Cast Iron	3,500	3,500	8.00	70-06201-19-2	70-06209-19-2	70	38.00
6.00	2.13	Cast Iron	5,000	6,000	8.50	80-06201-19-2	80-06209-19-2	80	41.00
8.00	1.76	Forged Steel	6,000	10,000	10.50	80-08201-29-2	80-08209-29-2	80	65.00
8.00	1.76	Forged Steel	6,000	10,000	11.00	90-08201-29-2	90-08209-29-2	90	65.00
10.00	3.00	Ductile Iron		12,000	14.50		95-10309-19-2	95	150.00
Capacity listed is for manual operation. For powered operations, consult factory.									
All dimensions are in inches. All weights are in pounds. For rail information and flanged wheel dimensions see page 54.									

V-GROOVE WHEELS

15,000 ^{lb} maximum capacity



Item Shown: 06309-25-16

FEATURES

Bearings: Roller, tapered, plain.

Temperature: Maximum to 800° F with proper bearing and lubrication.

Standard: All 1-1/2" and 2" width wheels with 3/4" roller bearings are supplied with 1/2" spanner bushing.

BENEFITS

V-groove wheels are constructed of premium G-3000 gray iron castings or hot forged C-1030 steel. The 90 degree grooves are accurately machined into the face of the wheels. A relief groove at the base of the "V" directs the load to each face of the angle track when in use.

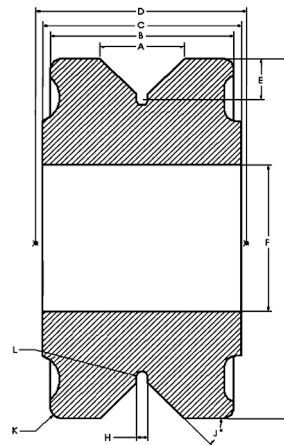
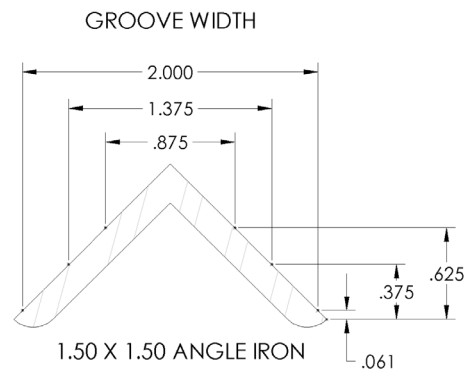
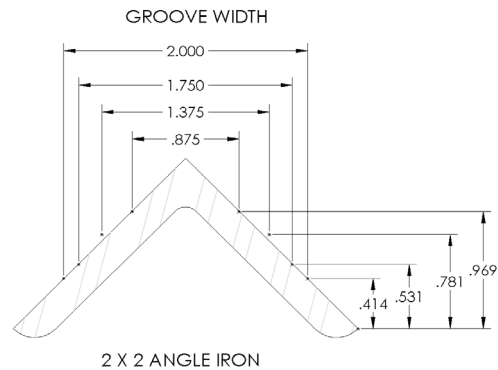
V-groove wheels can be used on a track, flat surface or both without fear of damage.

Exceptionally strong and ideal for heavy loads, the V-groove wheels are able to be machined out for keyway or various bore sizes.

Wheel material codes: Cast iron (15); heavy duty cast iron (16); forged steel (25); heavy duty forged steel (26).

APPLICATIONS

Excellent for guided industrial applications, assembly lines, paint lines and material handling where precise alignment is necessary.



WHEEL						PART NUMBER			
Dia.	Width	Capacity	Hub Length	Bore	Width x Depth	Straight Roller	Precision Tapered	Less Bearing	Wt.
4	2.00	1,000	2 3/16	1 3/16	7/8 x 7/16			04200-15-19	5.00
4	2.00	1,000	2 3/16	3/4	7/8 x 7/16	04201-15-12			5.00
6	2.00	1,000	2 3/16	1 3/16	7/8 x 7/16			06200-15-19	5.00
6	2.00	1,000	2 3/16	3/4	7/8 x 7/16	06201-15-12			5.00
6	2.50	2,500	3 1/4	1 15/16	7/8 x 7/16			06250-15-31	10.00
6	2.50	2,500	3 1/4	1	7/8 x 7/16	06251-15-16			10.00
6	2.50	2,500	3 1/4	1 1/4	7/8 x 7/16	06251-15-20			10.00
6	2.50	2,500	3 1/2	3/4	7/8 x 7/16		06259-15-12		10.00
6	3.00	15,000	3 1/4	2 7/16	1-3/8 x 11/16			06300-25-39	20.00
6	3.00	6,000	3 1/4	1 1/4	1-3/8 x 11/16	06301-25-20			20.00
6	3.00	6,000	3 1/4	1 1/2	1-3/8 x 11/16	06301-25-24			20.00
6	3.00	10,000	3 1/2	1	1-3/8 x 11/16		06309-25-16		20.00
6	3.00	10,000	3 1/2	1 1/4	1-3/8 x 11/16		06309-25-20		20.00
6	3.00	15,000	3 1/4	3 1/8^	1-3/8 x 11/16			06308-26-50	20.00
6	3.00	15,000	3 1/2	1 1/4	1-3/8 x 11/16		06309-26-20		20.00
6	3.00	15,000	3 1/2	1 1/2	1-3/8 x 11/16		06309-26-24		20.00
8	2.50	2,500	3 1/4	1 15/16	7/8 x 7/16			08250-15-31	20.00
8	2.50	2,500	3 1/4	1	7/8 x 7/16	08251-15-16			20.00
8	2.50	2,500	3 1/4	1 1/4	7/8 x 7/16	08251-15-20			20.00
8	2.50	2,500	3 1/2	3/4	7/8 x 7/16		08259-15-12		20.00
8	3.00	4,000	3 1/4	1 15/16	7/8 x 7/16			08300-15-31	22.00
8	3.00	4,000	3 1/4	1	7/8 x 7/16	08301-15-16			22.00
8	3.00	4,000	3 1/4	1 1/4	7/8 x 7/16	08301-15-20			22.00
8	3.00	4,000	3 1/2	1	7/8 x 7/16		08309-15-16		22.00
8	3.00	4,000	3 1/2	1 1/4	7/8 x 7/16		08309-15-20		22.00
8	3.00	4,500	3 1/4	2 7/16	1-3/8 x 11/16			08300-16-39	24.00
8	3.00	4,500	3 1/4	1 1/4	1-3/8 x 11/16	08301-16-20			24.00
8	3.00	4,500	3 1/4	1 1/2	1-3/8 x 11/16	08301-16-24			24.00
8	3.00	4,500	3 1/2	1	1-3/8 x 11/16		08309-16-16		24.00
8	3.00	4,500	3 1/2	1 1/4	1-3/8 x 11/16		08309-16-20		24.00
8	3.00	5,000	3 1/4	1 15/16	7/8 x 7/16			08300-25-31	24.00
8	3.00	5,000	3 1/4	1	7/8 x 7/16	08301-25-16			24.00
8	3.00	5,000	3 1/4	1 1/4	7/8 x 7/16	08301-25-20			24.00
8	3.00	5,000	3 1/2	3/4	7/8 x 7/16		08309-25-12		24.00
8	3.00	5,000	3 1/2	1	7/8 x 7/16		08309-25-16		24.00
8	4.00	8,400	4 1/4	2 7/16	1-3/4 x 7/8			08400-25-39	30.00
8	4.00	8,400	4 1/4	1 1/4	1-3/4 x 7/8	08401-25-20			30.00
8	4.00	8,400	4 1/4	1 1/2	1-3/4 x 7/8	08401-25-24			30.00
8	4.00	10,000	4 1/2	1	1-3/4 x 7/8		08409-25-16		30.00
8	4.00	10,000	4 1/2	1 1/4	1-3/4 x 7/8		08409-25-20		30.00
8	4.00	15,000	4 1/4	3 1/8^	1-3/4 x 7/8			08408-26-50	31.00
8	4.00	15,000	4 1/2	1 1/4	1-3/4 x 7/8		08409-26-20		31.00
8	4.00	15,000	4 1/2	1 1/2	1-3/4 x 7/8		08409-26-24		31.00



V-GROOVE WHEELS 15,000 LBS

WHEEL						PART NUMBER			
Dia.	Width	Capacity	Hub Length	Bore	Width x Depth	Straight Roller	Precision Tapered	Less Bearing	Wt.
10	3.00	3,000	3 1/4	1 15/16	1-3/8 x 11/16			10300-15-31	25.00
10	3.00	3,000	3 1/4	1	1-3/8 x 11/16	10301-15-16			25.00
10	3.00	3,000	3 1/4	1 1/4	1-3/8 x 11/16	10301-15-20			25.00
10	3.00	3,000	3 1/2	3/4	1-3/8 x 11/16		10309-15-12		25.00
10	3.00	3,500	3 1/4	2 7/16	1-3/8 x 11/16			10300-16-39	25.00
10	3.00	3,500	3 1/4	1 1/4	1-3/8 x 11/16	10301-16-20			25.00
10	3.00	3,500	3 1/4	1 1/2	1-3/8 x 11/16	10301-16-24			25.00
10	3.00	3,500	3 1/2	1	1-3/8 x 11/16		10309-16-16		25.00
10	3.00	3,500	3 1/2	1 1/4	1-3/8 x 11/16		10309-16-20		25.00
10	3.00	5,000	3 1/4	1 15/16	1-3/8 x 11/16			10300-25-31	27.00
10	3.00	5,000	3 1/4	1	1-3/8 x 11/16	10301-25-16			27.00
10	3.00	5,000	3 1/4	1 1/4	1-3/8 x 11/16	10301-25-20			27.00
10	3.00	5,000	3 1/2	3/4	1-3/8 x 11/16		10309-25-12		27.00
10	3.00	5,000	3 1/2	1	1-3/8 x 11/16		10309-25-16		27.00
10	3.00	6,000	3 1/4	2 7/16	1-3/8 x 11/16			10300-26-39	27.00
10	3.00	6,000	3 1/4	1 1/4	1-3/8 x 11/16	10301-26-20			27.00
10	3.00	6,000	3 1/4	1 1/2	1-3/8 x 11/16	10301-26-24			27.00
10	3.00	6,000	3 1/2	1	1-3/8 x 11/16		10309-26-16		27.00
10	3.00	6,000	3 1/2	1 1/4	1-3/8 x 11/16		10309-26-20		27.00
10	4.00	8,400	4 1/4	2 7/16	1-3/4 x 7/8			10400-25-39	48.00
10	4.00	8,400	4 1/4	1 1/4	1-3/4 x 7/8	10401-25-20			48.00
10	4.00	8,400	4 1/4	1 1/2	1-3/4 x 7/8	10401-25-24			48.00
10	4.00	10,000	4 1/2	1	1-3/4 x 7/8		10409-25-16		48.00
10	4.00	10,000	4 1/2	1 1/4	1-3/4 x 7/8		10409-25-20		48.00
10	4.00	15,000	4 1/4	3 1/8^	1-3/4 x 7/8			10408-26-50	48.00
10	4.00	15,000	4 1/2	1 1/4	1-3/4 x 7/8		10409-26-20		48.00
10	4.00	15,000	4 1/2	1 1/2	1-3/4 x 7/8		10409-26-24		48.00
12	5.00	9,500	5 1/4	1 1/4	2 x 1	12501-16-20*			110.00
12	5.00	9,500	5 1/4	1 1/2	2 x 1	12501-16-24*			110.00
12	5.00	12,000	5 1/2	1 1/4	2 x 1		12509-16-20*		110.00
12	5.00	12,000	5 1/2	1 1/2	2 x 1		12509-16-24*		110.00

Capacity listed is for manual operation.

For powered operations, consult factory.

^ Dimensions for tapered bearing bore.

* These wheels are ductile iron.

All dimensions are in inches. All weights are in pounds.



FLANGED WHEELS

12,000 LBS maximum capacity



Item Shown: 08209-28-16

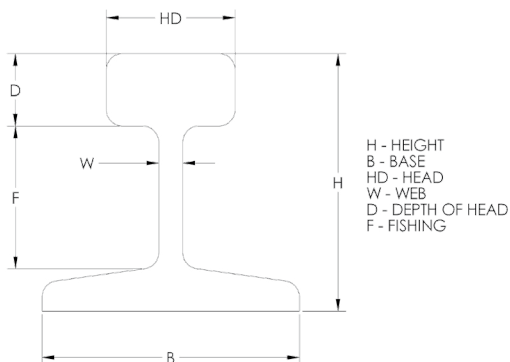
BENEFITS

The flanged wheel is designed to operate on steel tracking to minimize guidance and rolling effort. These wheels are constructed of premium cast iron and steel for high strength and long wear.

Various bore sizes are available for use with keyway or a variety of bearings.

APPLICATIONS

Flanged wheels are excellent for precise alignment of work, captive turntables or repetitive processes, including foundry cooling lines.

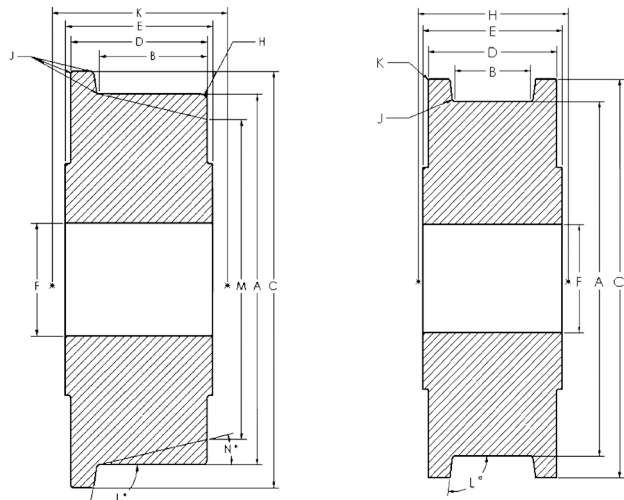


FEATURES

Bearings: Roller, tapered.

Temperature: Maximum to 800° F with proper bearing and lubrication.

Standard: All 1-1/2" and 2" width wheels with 3/4" roller bearing are supplied with 1/2" spanner bushing.



Rail Sizes						
Weight	Dimensions					
LB/FT	H	B	HD	W	D	F
12	2	2	1	3/16	9/16	1-1/32
16	2-3/8	2-3/8	1-11/64	7/32	41/64	1-23/64
20	2-5/8	2-5/8	1-11/32	1/4	23/32	1-15/32
25	2-3/4	2-3/4	1-1/2	19/64	25/32	1-31/64
30	3-1/8	3-1/8	1-11/16	21/64	7/8	1-23/32
40	3-1/2	3-1/2	1-7/8	25/64	1-1/64	1-55/64
60	4-1/4	4-1/4	2-3/8	31/64	1-7/32	2-17/64
80	5	5	2-1/2	35/64	1-1/2	2-5/8
85	5-3/16	5-3/16	2-9/16	9/16	1-35/64	2-3/4
90	5-5/8	5-1/8	2-9/16	9/16	1-15/32	3-5/32
100	6	5-3/8	2-11/16	9/16	1-21/32	3-9/32



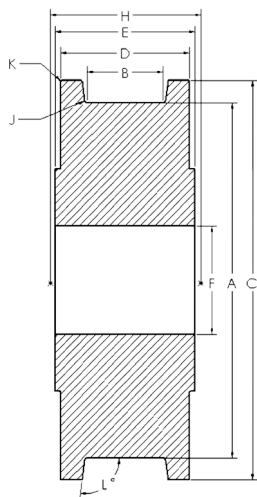
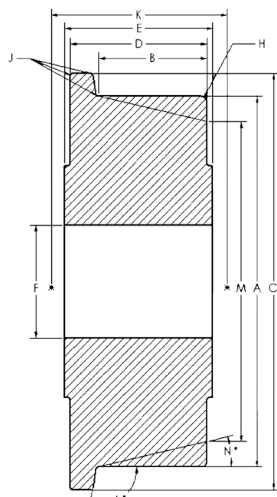
FLANGED WHEELS 12,000 LBS

WHEEL								PART NUMBER			
Dia. A	Width B	Dia. C	Width D	Capacity	Hub Length E	Bore F	Hub Dia. G	Straight Roller	Precision Tapered	Less Bearing	Wt.
Single Flanged Wheels											
3.50	1.31	4.50	1.69	1,000	1 15/16	3/4	2 1/8	<u>03101-18-12</u>			5.00
3.50	1.31	4.50	1.69	1,000	1 15/16	1 3/16	2 1/8			<u>03100-18-19</u>	5.00
4.00	2.00	5.25	3.00	5,000	3 1/2	1	2 1/2		<u>04209-18-16</u>		10.00
4.50	2.25	5.50	3.00	5,000	3 1/4	2 7/16	2 1/2			<u>04258-18-39</u>	15.00
4.50	2.25	5.50	3.00	5,000	3 1/2	1	3 3/4		<u>04259-18-16</u>		15.00
4.50	2.25	5.50	3.00	5,000	3 1/2	1 1/4	3 3/4		<u>04259-18-20</u>		15.00
4.50	2.25	5.50	3.00	5,000	3 1/4	1 15/16	3 3/4			<u>04250-18-31</u>	15.00
4.50	2.25	5.50	3.00	4,000	3 1/4	1	3 3/4	<u>04251-18-16</u>			15.00
4.50	2.25	5.50	3.00	4,000	3 1/4	1 1/4	3 3/4	<u>04251-18-20</u>			15.00
5.00	2.06	6.00	2.69	6,000	3 1/4	1 1/4	3 7/8	<u>05201-28-20</u>			15.00
5.00	2.06	6.00	2.69	6,000	3 1/4	1 1/2	3 7/8	<u>05201-28-24</u>			15.00
5.00	2.06	6.00	2.69	10,000	3 1/4	2 7/16	3 7/8			<u>05208-28-39</u>	15.00
5.00	2.06	6.00	2.69	10,000	3 1/2	1	3 7/8		<u>05209-28-16</u>		15.00
5.00	2.06	6.00	2.69	10,000	3 1/2	1 1/4	3 7/8		<u>05209-28-20</u>		15.00
6.00	1.63	6.75	2.00	900	2 3/16	1 3/16	1 3/4			<u>06150-18-19</u>	18.00
6.00	1.63	6.75	2.00	900	2 3/16	3/4	1 3/4	<u>06151-18-12</u>			18.00
6.13	1.69	7.00	2.13	5,000	2 3/4	1 15/16	3			<u>06200-18-31</u>	24.00
6.13	1.69	7.00	2.13	4,000	2 3/4	1 1/4	3	<u>06201-18-20</u>			24.00
6.13	1.69	7.00	2.13	5,000	3	3/4	3		<u>06209-18-12</u>		24.00
6.13	1.69	7.00	2.13	5,000	3	1	3		<u>06209-18-16</u>		24.00
6.00	2.00	7.00	2.75	3,500	3 1/4	1 15/16	3			<u>06250-18-31</u>	20.50
6.00	2.00	7.00	2.75	3,500	3 1/4	1	3	<u>06251-18-16</u>			20.50
6.00	2.00	7.00	2.75	3,500	3 1/4	1 1/4	3	<u>06251-18-20</u>			20.50
6.00	2.00	7.00	2.75	3,500	3 1/2	3/4	3		<u>06259-18-12</u>		20.50
6.00	2.00	7.00	2.75	3,500	3 1/2	1	3		<u>06259-18-16</u>		20.50
7.87	2.25	9.25	2.75	3,500	3 1/4	2 7/16	3 3/4			<u>07250-18-39</u>	29.00
7.87	2.25	9.25	2.75	3,500	3 1/4	1 1/4	3 3/4	<u>07251-18-20</u>			29.00
7.87	2.25	9.25	2.75	3,500	3 1/4	1 1/2	3 3/4	<u>07251-18-24</u>			29.00
7.87	2.25	9.25	2.75	3,500	3 1/2	1	3 3/4		<u>07259-18-16</u>		29.00
7.87	2.25	9.25	2.75	3,500	3 1/2	1 1/4	3 3/4		<u>07259-18-20</u>		29.00
7.87	1.75	8.63	2.25	3,000	2 1/2	1 3/16	2 7/8			<u>08200-18-19</u>	27.00
7.87	1.75	8.63	2.25	3,000	2 1/2	1 15/16	2 7/8			<u>08200-18-31</u>	27.00
7.87	1.75	8.63	2.25	3,000	2 1/2	3/4	2 7/8	<u>08201-18-12</u>			27.00
7.87	1.75	8.63	2.25	3,000	2 1/2	1	2 7/8	<u>08201-18-16</u>			27.00
7.87	1.75	8.63	2.25	3,000	2 1/2	1 1/4	2 7/8	<u>08201-18-20</u>			27.00
7.87	1.75	8.63	2.25	3,000	2 3/4	3/4	2 7/8		<u>08209-18-12</u>		27.00
8.00	2.38	9.00	3.00	15,000	3 1/4	2 7/16	5			<u>08200-28-39</u>	48.00
8.00	2.38	9.00	3.00	6,000	3 1/4	1 1/4	5	<u>08201-28-20</u>			48.00
8.00	2.38	9.00	3.00	6,000	3 1/4	1 1/2	5	<u>08201-28-24</u>			48.00
8.00	2.38	9.00	3.00	10,000	3 1/2	1	5		<u>08209-28-16</u>		48.00
8.00	2.38	9.00	3.00	10,000	3 1/2	1 1/4	5		<u>08209-28-20</u>		48.00

WHEEL								PART NUMBER			
Dia. A	Width B	Dia. C	Width D	Capacity	Hub Length E	Bore F	Hub Dia. G	Straight Roller	Precision Tapered	Less Bearing	Wt.
8.00	2.25	9.50	3.00	3,500	3 1/4	2 7/16	3 3/4			<u>08250-18-39</u>	33.00
8.00	2.25	9.50	3.00	3,500	3 1/4	1 1/4	3 3/4	<u>08251-18-20</u>			33.00
8.00	2.20	9.50	3.00	3,500	3 1/4	1 1/2	3 3/4	<u>08251-18-24</u>			33.00
8.00	2.25	9.50	3.00	3,500	3 1/2	1	3 3/4		<u>08259-18-16</u>		33.00
8.00	2.25	9.50	3.00	3,500	3 1/2	1 1/4	3 3/4		<u>08259-18-20</u>		33.00
10.00	4.00	12.00	5.00	12,000	6	3 1/8	4 1/2			<u>10408-18-50</u>	90.00
10.00	4.00	12.00	5.00	12,000	6 1/4	1 1/4	4 1/2		<u>10409-18-20</u>		90.00
10.00	4.00	12.00	5.00	12,000	6 1/4	1 1/2	4 1/2		<u>10409-18-24</u>		90.00
14.88	2.56	16.88	3.38	8,000	4 1/4	2 7/16	4 1/2			<u>15250-18-39</u>	100.00
14.88	2.56	16.88	3.38	8,000	4 1/4	1 1/4	4 1/2	<u>15251-18-20</u>			100.00
14.88	2.56	16.88	3.38	8,000	4 1/4	1 1/2	4 1/2	<u>15251-18-24</u>			100.00
14.88	2.56	16.88	3.38	8,000	4 1/2	1	4 1/2		<u>15259-18-16</u>		100.00
14.88	2.56	16.88	3.38	8,000	4 1/2	1 1/4	4 1/2		<u>15259-18-20</u>		100.00

Dual Flanged Wheels

5.00	1.69	6.00	3.00	10,000	3 1/4	2 7/16	3 7/8			<u>05200-29-39</u>	17.00
5.00	1.69	6.00	3.00	6,000	3 1/4	1 1/4	3 7/8	<u>05201-29-20</u>			17.00
5.00	1.69	6.00	3.00	6,000	3 1/4	1 1/2	3 7/8	<u>05201-29-24</u>			17.00
5.00	1.69	6.00	3.00	10,000	3 1/2	1	3 7/8		<u>05209-29-16</u>		17.00
5.00	1.69	6.00	3.00	10,000	3 1/2	1 1/4	3 7/8		<u>05209-29-20</u>		17.00
6.00	2.13	7.25	3.00	6,000	3 1/4	1 15/16	3			<u>06200-19-31</u>	26.00
6.00	2.13	7.25	3.00	5,000	3 1/4	1	3	<u>06201-19-16</u>			26.00
6.00	2.13	7.25	3.00	5,000	3 1/4	1 1/4	3	<u>06201-19-20</u>			26.00
6.00	2.13	7.25	3.00	5,000	3 1/2	3/4	3		<u>06209-19-12</u>		26.00
6.00	2.13	7.25	3.00	6,000	3 1/2	1	3		<u>06209-19-16</u>		26.00
8.00	1.76	9.00	3.00	15,000	3 1/4	2 7/16	5			<u>08200-29-39</u>	50.00
8.00	1.76	9.00	3.00	6,000	3 1/4	1 1/4	5	<u>08201-29-20</u>			50.00
8.00	1.76	9.00	3.00	6,000	3 1/4	1 1/2	5	<u>08201-29-24</u>			50.00
8.00	1.76	9.00	3.00	15,000	3 1/4	2 7/16	5			<u>08208-29-39</u>	50.00
8.00	1.76	9.00	3.00	10,000	3 1/2	1	5		<u>08209-29-16</u>		50.00
8.00	1.76	9.00	3.00	10,000	3 1/2	1 1/4	5		<u>08209-29-20</u>		50.00
10.00	3.00	12.00	5.00	12,000	6	3 1/8	4 1/2			<u>10308-19-50</u>	95.00
10.00	3.00	12.00	5.00	12,000	6 1/4	1 1/4	4 1/2		<u>10309-19-20</u>		95.00
10.00	3.00	12.00	5.00	12,000	6 1/4	1 1/2	4 1/2		<u>10309-19-24</u>		95.00



(ITEM SHOWN: 05201-29-20)

FORGED STEEL WHEELS

20,000 ^{LBS} maximum capacity



Item Shown: 05201-20-12

BENEFITS

Forged steel wheels are hot forged from high carbon steel billets heated to 2,400 degrees Fahrenheit then repeatedly hit by high tonnage forging hammers. This process enhances the grain structure and increases the ductility and tensile strength (64,000 psi) of the wheel. The wheels are then precision machined flat with rounded edges to finished tolerances.

Forged steel wheels offer the greatest load capacity, impact strength and rollability of all caster wheels.

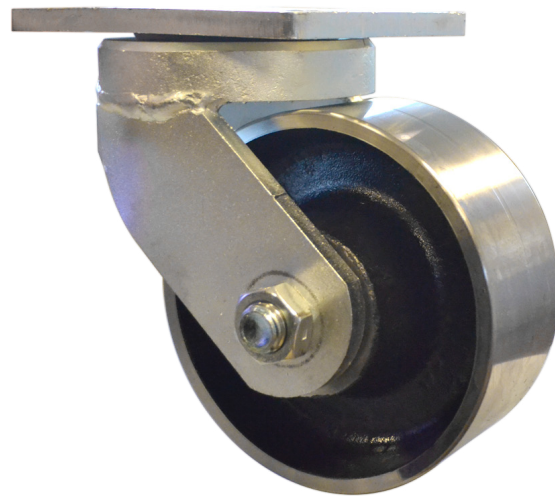
Wheel material codes: forged steel (20); heavy duty forged steel (21); ductile iron (12).

FEATURES

Bearings: Roller, tapered, plain, teflon.

Temperature: Maximum to 800 degrees with proper bearings and lubrication.

Standard: All 1-1/2" and 2" wide wheels are supplied with 1/2" spanner standard.



Forged steel wheels allow users to achieve a greater load capacity as well as being more resistant to heat.

WHEEL					PART NUMBER			
Dia.	Width	Capacity	Hub Length	Bore	Straight Roller	Precision Tapered	Less Bearing	Wt.
4	1.50	1,400	2 3/16	1 3/16			04100-20-19	3.25
4	1.50	1,400	2 3/16	3/4	04101-20-12			3.25
4	1.50	1,400	2 7/16	1/2		04109-20-08		3.25
5	1.75	1,500	2 3/16	1 3/16			05200-20-19	5.25
5	1.75	1,500	2 3/16	3/4	05201-20-12			5.25
5	1.75	1,800	2 7/16	1/2		05209-20-08		5.25
6	2.00	1,500	2 3/16	1 3/16			06200-20-19	6.25
6	2.00	1,500	2 3/16	3/4	06201-20-12			6.25
6	2.00	2,500	2 7/16	1/2		06209-20-08		6.25
6	2.50	4,000	3 1/4	1 15/16			06250-20-31	12.00
6	2.50	4,000	3 1/4	1 1/4	06251-20-20			12.00
6	2.50	4,000	3 1/4	1	06251-20-16			12.00
6	2.50	5,000	3 1/2	3/4	06259-20-12			12.00
6	2.50	5,000	3 1/2	1		06259-20-16		12.00
6	3.00	6,000	3 1/4	2 7/16			06300-20-39	20.00
6	3.00	6,000	3 1/4	1 1/4	06301-20-20			20.00
6	3.00	6,000	3 1/4	1 1/2	06301-20-24			20.00
6	3.00	10,000	3 1/2	1 1/4		06309-20-20		21.00
6	3.00	10,000	3 1/2	1		06309-20-16		21.00
6	3.00	17,000	3 1/4	3 1/8^			06308-21-50	22.00
6	3.00	17,000	3 1/2	1 1/4		06309-21-20		22.00
6	3.00	17,000	3 1/2	1 1/2		06309-21-24		22.00
8	2.50	4,000	3 1/4	1 15/16			08250-20-31	12.00
8	2.50	4,000	3 1/4	1	08251-20-16			12.00
8	2.50	4,000	3 1/4	1 1/4	08251-20-20			12.00
8	2.50	5,000	3 1/2	3/4		08259-20-12		12.00
8	3.00	4,500	3 1/4	1 15/16			08300-20-31	18.50
8	3.00	4,500	3 1/4	1	08301-20-16			18.50
8	3.00	4,500	3 1/4	1 1/4	08301-20-20			18.50
8	3.00	5,500	3 1/2	3/4		08309-20-12		18.50
8	3.00	5,500	3 1/2	1		08309-20-16		18.50
8	4.00	8,400	4 1/4	2 7/16			08400-20-39	37.00
8	4.00	8,400	4 1/4	1 1/4	08401-20-20			37.00
8	4.00	8,400	4 1/4	1 1/2	08401-20-24			37.00
8	4.00	10,000	4 1/2	1		08409-20-16		37.00
8	4.00	10,000	4 1/2	1 1/4		08409-20-20		37.00
8	4.00	20,000	4 1/4	3 1/8^			08408-21-50^	37.00
8	4.00	20,000	4 1/2	1 1/4		08409-21-20		37.00
8	4.00	20,000	4 1/2	1 1/2		08409-21-24		37.00



FORGED STEEL WHEELS 20,000 LBS

WHEEL					PART NUMBER			
Dia.	Width	Capacity	Hub Length	Bore	Straight Roller	Precision Tapered	Less Bearing	Wt.
10	3.00	5,000	3 1/4	1 15/16			<u>10300-20-31</u>	28.00
10	3.00	5,000	3 1/4	1	<u>10301-20-16</u>			28.00
10	3.00	5,000	3 1/4	1 1/4	<u>10301-20-20</u>			28.00
10	3.00	6,000	3 1/2	3/4		<u>10309-20-12</u>		28.00
10	3.00	6,000	3 1/2	1		<u>10309-20-16</u>		28.00
10	3.00	6,000	3 1/4	2 7/16			<u>10300-21-39</u>	28.00
10	3.00	6,000	3 1/4	1 1/4	<u>10301-21-20</u>			28.00
10	3.00	6,000	3 1/4	1 1/2	<u>10301-21-24</u>			28.00
10	3.00	6,500	3 1/2	1		<u>10309-21-16</u>		28.00
10	3.00	6,500	3 1/2	1 1/4		<u>10309-21-20</u>		28.00
10	4.00	8,400	4 1/4	2 7/16			<u>10400-20-39</u>	48.00
10	4.00	8,400	4 1/4	1 1/4	<u>10401-20-20</u>			48.00
10	4.00	8,400	4 1/4	1 1/2	<u>10401-20-24</u>			48.00
10	4.00	10,000	4 1/2	1		<u>10409-20-16</u>		48.00
10	4.00	10,000	4 1/2	1 1/4		<u>10409-20-20</u>		48.00
10	4.00	20,000	4 1/4	3 1/8 [^]			<u>10408-21-50</u>	48.00
10	4.00	20,000	4 1/2	1 1/4		<u>10409-21-20</u>		48.00
10	4.00	20,000	4 1/2	1 1/2		<u>10409-21-24</u>		48.00
12	4.00	7,500	4 1/4	2 7/16			<u>12400-12-39*</u>	53.00
12	4.00	7,500	4 1/4	1 1/4	<u>12401-12-20*</u>			53.00
12	4.00	7,500	4 1/4	1 1/2	<u>12401-12-24*</u>			53.00
12	4.00	7,500	4 1/2	1		<u>12409-12-16*</u>		53.00
12	4.00	7,500	4 1/2	1 1/4		<u>12409-12-20*</u>		53.00
12	5.00	10,000	5 1/4	1 1/4	<u>12501-12-20*</u>			98.00
12	5.00	10,000	5 1/4	1 1/2	<u>12401-12-24*</u>			98.00
12	5.00	10,000	5 1/2	1 1/4		<u>12509-12-20*</u>		98.00
12	5.00	10,000	5 1/2	1 1/2		<u>12509-12-24*</u>		98.00

[^] Dimensions for tapered bearing bore.

* These wheels are cast ductile iron.

All dimensions are in inches. All weights are in pounds.

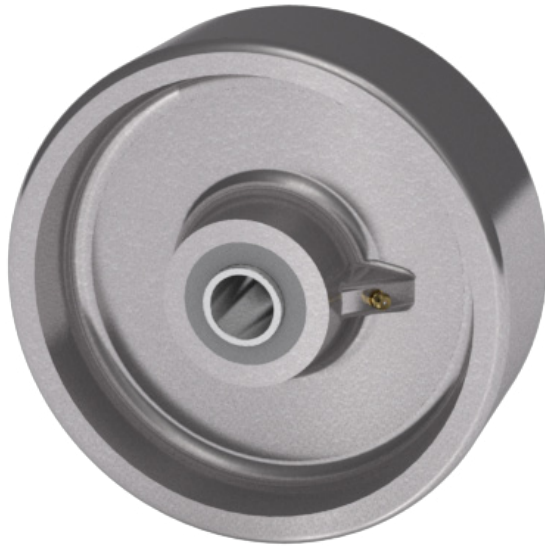


PREMIUM CAST IRON WHEELS

15,000 lbs maximum capacity

PREMIUM CAST IRON WHEELS

WHEELS



Item Shown: 08301-10-20-SB162057

BENEFITS

Built for high capacity applications, the cast iron wheels can withstand extreme heat. Precision tapered bearings are available to complement the characteristics of the wheels.

OPTIONS

Wheel material codes: cast iron (10); heavy duty cast iron (11); ductile iron (12).

FEATURES

These cast iron wheels are constructed of premium Class 30 gray iron for maximum load capacity and impact strength. The wheels feature heavy cross section castings for heavy duty use, abrasion resistance and a long service life. Each wheel is precision machined with rounded edges to finished tolerances.

Standard: All 1-1/2" and 2" wide wheels with 3/4" roller bearings are supplied with 1/2" spanner standard.



PREMIUM CAST IRON WHEELS 15,000 LBS

WHEEL					PART NUMBER			
Dia.	Width	Capacity	Hub Length	Bore	Straight Roller	Precision Tapered	Less Bearing	Wt.
3	1.25	450	1 1/2	3/8			<u>03120-10-06</u>	2.00
3.25	1.50	400	1 5/8	3/4	<u>03151-10-12</u>			3.40
3.25	1.50	400	1 5/8	5/8	<u>03151-10-10</u>			3.40
3.25	2.00	700	2 3/16	3/4	<u>03201-10-12</u>			3.40
4	1.50	600	1 11/16	1/2			<u>04150-10-08</u>	3.40
4	1.50	600	1 5/8	5/8	<u>04151-10-10</u>			3.40
4	2.00	1,000	2 3/16	1 3/16			<u>04200-10-19</u>	4.00
4	2.00	1,000	2 3/16	3/4	<u>04201-10-12</u>			4.00
4	3.00	2,000	3 1/4	1 15/16			<u>04300-10-31</u>	7.00
4	3.00	2,000	3 1/4	1	<u>04301-10-16</u>			7.00
4	3.00	2,000	3 1/4	1 1/4	<u>04301-10-20</u>			7.00
4	3.00	2,000	3 1/2	3/4		<u>04309-10-12</u>		7.00
4	4.00	4,000	4 1/4	2 7/16			<u>04400-10-39</u>	11.00
4	4.00	4,000	4 1/4	1 1/4	<u>04401-10-20</u>			11.00
4	4.00	4,000	4 1/2	1		<u>04409-10-16</u>		11.00
4	4.00	4,000	4 1/2	1 1/4		<u>04409-10-20</u>		11.00
5	1.50	600	1 5/8	3/4	<u>05151-10-12</u>			
5	1.50	600	1 5/8	5/8	<u>05151-10-10</u>			
5	2.00	1,500	2 3/16	1 3/16			<u>05200-10-19</u>	6.00
5	2.00	1,200	2 3/16	3/4	<u>05201-10-12</u>			6.00
5	2.00	1,200	2 3/16	5/8	<u>05201-10-20</u>			
5	2.50	2,000	3 1/4	1 15/16			<u>05250-10-31</u>	7.50
5	2.50	2,000	3 1/4	1	<u>05251-10-16</u>			7.50
5	2.50	2,000	3 1/4	1 1/4	<u>05251-10-20</u>			7.50
5	2.50	2,000	3 1/2	3/4		<u>05259-10-12</u>		7.50
6	1.50	800	1 5/8	3/4	<u>06151-10-12</u>			
6	1.50	800	1 5/8	5/8	<u>06151-10-10</u>			
6	2.00	1,300	2 3/16	1 3/16		<u>06200-10-12</u>		6.80
6	2.00	1,300	2 3/16	3/4	<u>06201-10-12</u>			6.80
6	2.50	2,500	3 1/4	1 15/16			<u>06250-10-31</u>	12.00
6	2.50	2,500	3 1/4	1 1/4	<u>06251-10-20</u>			12.00
6	2.50	2,500	3 1/4	1	<u>06251-10-16</u>			12.00
6	2.50	2,500	3 1/2	3/4		<u>06259-10-12</u>		12.00
6	2.50	2,500	3 1/2	1		<u>06259-10-16</u>		12.00
6	3.00	2,500	3 1/4	1 15/16			<u>06300-10-31</u>	12.00
6	3.00	2,500	3 1/4	1	<u>06301-10-16</u>			12.00
6	3.00	2,500	3 1/4	1 1/4	<u>06301-10-20</u>			12.00
6	3.00	2,500	3 1/2	3/4		<u>06309-10-12</u>		12.00
6	3.00	2,500	3 1/2	1		<u>06309-10-16</u>		12.00

PREMIUM CAST IRON WHEELS 15,000 LBS



PREMIUM CAST IRON WHEELS

WHEELS

WHEEL					PART NUMBER			
Dia.	Width	Capacity	Hub Length	Bore	Straight Roller	Precision Tapered	Less Bearing	Wt.
7	3.00	4,000	3 1/4	1 15/16			<u>07300-10-31</u>	27.00
7	3.00	4,000	3 1/4	1	<u>07301-10-16</u>			27.00
7	3.00	4,000	3 1/4	1 1/4	<u>07301-10-20</u>			27.00
7	3.00	4,000	3 1/2	3/4		<u>07309-10-12</u>		27.00
7	3.00	6,000	3 1/4	2 7/16			<u>07300-11-39</u>	27.00
7	3.00	6,000	3 1/4	1 1/4	<u>07301-11-20</u>			27.00
7	3.00	6,000	3 1/4	1 1/2	<u>07301-11-24</u>			27.00
7	3.00	6,000	3 1/2	1		<u>07309-11-16</u>		27.00
7	3.00	6,000	3 1/2	1 1/4		<u>07309-11-20</u>		27.00
8	2.00	1,500	2 3/16	1 3/16			<u>08200-10-19</u>	7.50
8	2.00	1,500	2 3/16	3/4	<u>08201-10-12</u>			7.50
8	2.00	1,500	2 3/16	5/8	<u>08201-10-10</u>			7.50
8	3.00	3,500	3 1/4	1 15/16			<u>08300-10-31</u>	15.00
8	3.00	3,500	3 1/4	1	<u>08301-10-16</u>			15.00
8	3.00	3,500	3 1/4	1 1/4	<u>08301-10-20</u>			15.00
8	3.00	4,500	3 1/2	3/4		<u>08309-10-12</u>		15.00
8	3.00	4,500	3 1/4	1 1/4	<u>08301-11-20</u>			25.00
8	3.00	4,500	3 1/2	1		<u>08309-11-20</u>		25.00
8	3.00	4,500	3 1/2	1 1/4		<u>08309-11-20</u>		25.00
8	4.00	5,000	4 1/4	2 7/16			<u>08400-10-39</u>	28.00
8	4.00	5,000	4 1/4	1 1/4	<u>08401-10-20</u>			28.00
8	4.00	5,000	4 1/2	1		<u>08409-10-16</u>		28.00
8	4.00	5,000	4 1/2	1 1/4		<u>08409-10-20</u>		28.00
10	3.00	3,500	3 1/4	1 15/16			<u>10300-10-31</u>	30.00
10	3.00	3,500	3 1/4	1	<u>10301-10-16</u>			30.00
10	3.00	3,500	3 1/4	1 1/4	<u>10301-10-20</u>			30.00
10	3.00	3,500	3 1/2	3/4		<u>10309-10-12</u>		30.00
10	3.00	3,500	3 1/2	1		<u>10309-10-16</u>		30.00
10	3.00	4,000	3 1/4	2 7/16			<u>10300-11-39</u>	30.00
10	3.00	4,000	3 1/4	1 1/4	<u>10301-11-20</u>			30.00
10	3.00	4,000	3 1/4	1 1/2	<u>10301-11-24</u>			30.00
10	3.00	4,000	3 1/2	1		<u>10309-11-16</u>		30.00
10	3.00	4,000	3 1/2	1 1/4		<u>10309-11-20</u>		30.00
10	4.00	6,000	4 1/4	2 7/16			<u>10400-10-39</u>	32.00
10	4.00	6,000	4 1/4	1 1/4	<u>10401-10-20</u>			32.00
10	4.00	6,000	4 1/2	1		<u>10409-10-16</u>		32.00
10	4.00	6,000	4 1/2	1 1/4		<u>10409-10-20</u>		32.00



PREMIUM CAST IRON WHEELS 15,000 LBS

WHEEL					PART NUMBER			
Dia.	Width	Capacity	Hub Length	Bore	Straight Roller	Precision Tapered	Less Bearing	Wt.
12	2.50	2,500	3 1/4	1	<u>12251-10-16</u>			37.00
12	2.50	2,500	3 1/4	1 1/4	<u>12251-10-20</u>			37.00
12	3.00	3,000	3 1/4	1	<u>12301-10-16</u>			39.00
12	3.00	3,000	3 1/4	1 1/4	<u>12301-10-20</u>			39.00
12	3.00	3,000	3 1/2	3/4		<u>12309-10-12</u>		39.00
12	3.00	3,000	3 1/2	1		<u>12309-10-16</u>		39.00
12	4.00	7,500	4 1/4	1 1/4	<u>12401-12-20*</u>			53.00
12	4.00	7,500	4 1/4	2 7/16			<u>12400-12-39*</u>	53.00
12	4.00	7,500	4 1/4	1 1/2	<u>12401-12-24*</u>			53.00
12	4.00	7,500	4 1/2	1		<u>12409-12-16*</u>		53.00
12	4.00	7,500	4 1/2	1 1/4		<u>12409-12-20*</u>		53.00
12	5.00	10,000	5 1/4	1 1/4	<u>12501-12-20*</u>			98.00
12	5.00	10,000	5 1/4	1 1/2	<u>12501-12-24*</u>			98.00
12	5.00	15,000	5 1/2	1 1/4		<u>12509-12-20*</u>		98.00
12	5.00	15,000	5 1/2	1 1/2		<u>12509-12-24*</u>		98.00
12	6.00	10,000	6 1/2	1 1/4		<u>12609-10-20</u>		75.00
12	6.00	10,000	6 1/2	1 1/2		<u>12609-10-24</u>		75.00
14	4.00	7,000	4 1/4	1 1/4	<u>14401-10-20</u>			60.00
14	4.00	7,000	4 1/4	2 7/16			<u>14400-10-39</u>	60.00
14	4.00	7,000	4 1/2	1		<u>14409-10-16</u>		60.00
14	4.00	7,000	4 1/2	1 1/4		<u>14409-10-20</u>		60.00
16	3.00	3,000	3 1/4	1	<u>16301-10-16</u>			64.00
16	3.00	3,000	3 1/4	1 1/4	<u>16301-10-20</u>			64.00
16	3.00	3,000	3 1/2	1		<u>16309-10-16</u>		64.00
16	4.00	7,500	4 1/4	2 7/16			<u>16400-10-39</u>	72.00
16	4.00	7,500	4 1/4	1 1/4	<u>16401-10-20</u>			72.00
16	4.00	7,500	4 1/4	1 1/2	<u>16401-10-24</u>			72.00
16	4.00	7,500	4 1/2	1		<u>16409-10-16</u>		72.00
16	4.00	7,500	4 1/2	1 1/4		<u>16409-10-20</u>		72.00
16	4.00	7,500	4 1/2	1 1/2		<u>16409-10-24</u>		72.00

Capacity listed is for manual operation. For powered operations, consult factory.
 * These wheels are cast ductile iron. All dimensions are in inches. All weights are in pounds.



PHENOLIC RESIN WHEELS

8,000 LBS maximum capacity



Item Shown: 08201-30-12

FEATURES

Bearings: Precision ball, delrin, straight roller and tapered.

Standard: All 1-1/2" and 2" wide wheels with 3/4" roller bearings are supplied with 1/2" spanner standard.

BENEFITS

A wide selection of phenolic resin wheels are available in inventory. The wheels shown in the chart are laminated phenolic.

Standard black phenolic wheels (30) feature macerated canvas duck compression molded with premium phenolic resins to produce a value/price relationship.

High temperature phenolic wheels (32) provide continuous service up to 425° Fahrenheit and intermittently to 500° Fahrenheit.

Laminated phenolic wheels (35) feature a continuous wound tread with a macerated canvas center. The wheels have a 40% higher impact resistance and carry up to 25% higher load than standard phenolic wheels.

APPLICATIONS

Phenolic wheels are excellent for waste bins, platform trucks, heavy material handling, autoclaves, baking ovens, curing ovens and high temperature bakery applications.



THE CONTINUOUS WRAP PROCESS OF A PHENOLIC WHEEL MAKES IT LONGER WEARING PRODUCT THAT HAS A HIGHER RESISTANCE TO CHIPPING AND FRAYING. (ITEM SHOWN: 70-12301-30-1LP)



PHENOLIC RESIN WHEELS 8,000 LBS

WHEEL							PART NUMBER			
Dia.	Width	Standard Capacity	Laminated Capacity	High Temp Capacity	Hub Length	Bore	Straight Roller	Precision Tapered	Ball Bearing	Wt.
5	2.00	1,000	1,200	750	2 3/16	1/2			05204-30-08*	2.25
5	2.00	1,000	1,200	750	2 3/16	3/4	<u>05201-30-12</u>			2.25
6	2.00	1,200	1,500	900	2 3/16	3/4	<u>06201-30-12</u>			3.00
6	2.00	1,200	1,500	900	2 7/16	1/2			06204-30-08*	3.00
6	3.00	2,000	2,000	1,700	3 1/2	3/4			<u>06302-30-12</u>	5.00
6	3.00	2,000	2,000	1,700	3 1/4	1	<u>06301-30-16</u>			5.00
6	3.00	2,000	2,000	1,700	3 1/4	1 1/4	<u>06301-30-20</u>			5.00
6	3.00	2,000	2,000	1,700	3 1/2	3/4		<u>06309-30-12</u>		5.00
6	3.00	2,000	2,000	1,700	3 1/2	1		<u>06309-30-16</u>		5.00
8	2.00	1,400	1,400	1,100	2 7/16	1/2			08204-30-08*	4.00
8	2.00	1,400	1,400	1,100	2 3/16	3/4	<u>08201-30-12</u>			4.00
8	3.00	2,500	3,000	1,900	3 1/2	3/4			<u>08302-30-12</u>	7.00
8	3.00	2,500	3,000	1,900	3 1/4	1	<u>08301-30-16</u>			7.00
8	3.00	2,500	3,000	1,900	3 1/4	1 1/4	<u>08301-30-20</u>			7.00
8	3.00	2,500	3,000	1,900	3 1/2	3/4		<u>08309-30-12</u>		7.00
8	3.00	2,500	3,000	1,900	3 1/2	1		<u>08309-30-16</u>		7.00
10	3.00	2,900	3,400	2,400	3 1/2	3/4			<u>10302-30-12</u>	9.75
10	3.00	2,900	3,400	2,400	3 1/4	1	<u>10301-30-16</u>			9.75
10	3.00	2,900	3,400	2,400	3 1/4	1 1/4	<u>10301-30-20</u>			9.75
10	3.00	2,900	3,400	2,400	3 1/2	3/4		<u>10309-30-12</u>		9.75
10	3.00	2,900	3,400	2,400	3 1/2	1		<u>10309-30-16</u>		9.75
10	3.00	2,900	3,400	2,400	3 1/2	1 1/4		<u>10309-30-20</u>		9.75
12	3.00	3,500	4,200	2,600	3 1/2	3/4			<u>12302-30-12</u>	13.00
12	3.00	3,500	4,200	2,600	3 1/4	1	<u>12301-30-16</u>			13.00
12	3.00	3,500	4,200	2,600	3 1/4	1 1/4	<u>12301-30-20</u>			13.00
12	3.00	3,500	4,200	2,600	3 1/2	3/4		<u>12309-30-12</u>		13.00

All dimensions are in inches. All weights are in pounds.

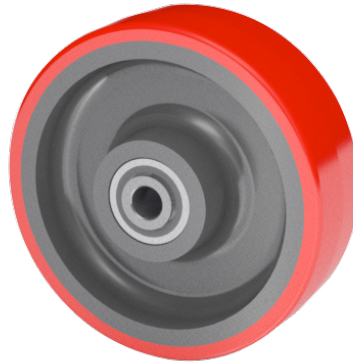
* These casters have annular ball bearings.

Note: part numbers listed are for Standard Phenolic wheels, for High Temp use "32" in place of "30" and for Laminated Phenolic use "35" in place of "30"

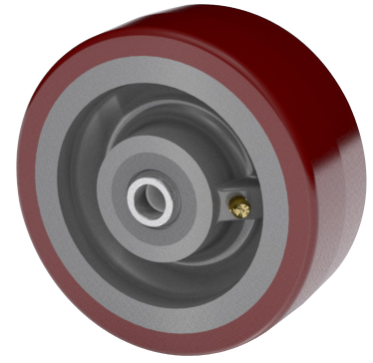


Caster Concepts has gained a reputation in the industry for application-oriented solutions to tough material handling and mobility problems. Establishing a market for custom and special casters and wheels has driven the need for developing expertise in engineering application solutions with a variety of premium urethane elastomers.

Caster Concepts, in partnership with leading producers of polyurethane prepolymers, is continually working to develop products for a wide range of customer specific needs. While there are standard “go to” products that work in a variety of applications, Caster Concepts is expanding its market reach by applying its application knowledge to solve tough performance applications in a variety of industries. Success in this area includes:



T/R Compound Ergonomic wheels, excellent for manual pushed loads up to 1,500 pounds per dolly



95A durometer high load capacity economic floor protective wheel.

T/R COMPOUND URETHANE WHEELS

This material produces a softer durometer wheel that resists the accumulation of metal chips, sheet metal screws, and foreign objects often found in manufacturing facilities. The high rebound of this material provides increased rollability in ergonomic in-plant applications, and has become a favorite in production line delivery systems across the country.

HIGH SPEED WHEELS

Caster Concepts has worked to develop a line of wheels that will withstand the rigors of higher loads and speeds found in today's lift truck industries. These wheels are able to dissipate the heat being generated through the load, the speed, or a combination of both.



70D durometer for heavy loads, floor protection and ease of movement.

STANDARD POLYURETHANE

Caster Concepts' standard durometer 95A polyurethane is easily identified by its Maroon color. This material is economical, provides, lower rolling resistance than rubber wheels and are floor protective.

ELASTOMERS

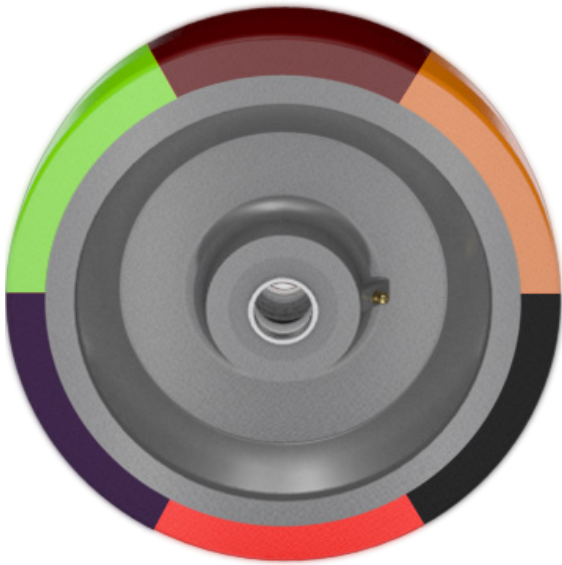
Processed in-house, elastomers provide flexibility in material choice, hardness, and finished size. Caster Concepts is adept at processing MDI polyesters, and TDI polyesters and polyesters, in a wide range of durometers from 50 durometer shore A to 70 durometer shore D scale.



High speed urethane offers performance under sever applications

POLYURETHANE WHEELS

11,250 LBS maximum capacity



BEARINGS

SEALED PRECISION BALL: Precision ball bearings offer the lowest rolling resistance for ergonomic applications. These bearings are often referred to as “sealed for life” due to their being rubber seals on both sides. These bearings are capable of applications where towing up to 5 mph is present, please consult the factory.

ROLLER BEARING: These commercial bearings are used when a low cost anti-friction bearing is required, they provide excellent load carrying capacity, at an economical cost.

PRECISION TAPERED: Tapered bearings are used in applications where towing and capacity are present. Tapered bearings do to their nature are adjusted tight at the factory to provide a preload thrust component to the wheel. Tapered bearings are not recommended for applications where there is a high amount of manual movement required.

DELRIN: Delrin bearings are a friction type bearing used in wet applications where light loads and infrequent movement is present.

OILITE: Oilite bearings offer a low cost friction bearing where heat, moisture, infrequent movement or lighter loads are part of the application.

TESTING

In-house test dynamometers, with sophisticated metering equipment, allow Caster Concepts to develop test parameters for product duty – life cycle profile testing and performance evaluations prior to delivery to the field.

METRIC WHEELS

The capability to control the production of wheels through design, production, product testing and final shipment, has driven Caster Concepts to design and develop a full line of metric wheels for replacement on equipment produced in Europe and Asia.

Metric wheel diameters available include:

50 mm	180 mm	230 mm
80 mm	200 mm	250 mm
125 mm	220 mm	300 mm

ROUND TREAD POLY WHEELS 3,600 LBS



ROUND TREAD POLY WHEELS

RUEDA					PART NUMBER		PART NUMBER		PART NUMBER		PART NUMBER		PART NUMBER		
Dia.	Width	Hub Length	Bore	Bearing	T/R-85	Cap.	Std. Poly	Cap.	Hard Poly	Cap.	ErgoTread	Cap.	TR-95	Cap.	Wt.
4	2.00	2 7/16	1/2	Precision	04202-51-08	500	04202-50-08	600	04202-53-08	700	04202-43-08	475	04202-56-08	650	3.00
6	2.00	2 7/16	1/2	Precision	06202-51-08	800	06202-50-08	1,000	06202-53-08	1,200	06202-43-08	760	06202-56-08	1,100	4.00
8	2.00	2 7/16	1/2	Precision	08202-51-08	1,000	08202-50-08	1,000	08202-53-08	1,500	08202-43-08	950	08202-56-08	1,400	5.50

(ITEM SHOWN: SP141204)



WHEELS



STANDARD PROFILE POLY WHEELS 5,040 LBS

WHEEL					PART NUMBER		PART NUMBER		PART NUMBER		PART NUMBER		PART NUMBER		
Dia.	Width	Hub Length	Bore	Bearing	T/R-85	Cap.	Std. Poly	Cap.	Hard Poly	Cap.	HPPT	Cap.	TR-95	Cap.	Wt.
4	2.00	2 3/16	1 3/16		04200-61-19	600	04200-60-19	750	04200-63-19	900	04200-90-19	1,100	04200-91-19	1,000	3.00
4	2.00	2 3/16	3/4	Roller	04201-61-12	600	04201-60-12	750	04201-63-12	900	04201-90-12	1,100	04201-91-12	1,000	3.00
4	2.00	2 7/16	1/2	Tapered	04209-61-08	600	04209-60-08	750	04209-63-08	900	04209-90-08	1,100	04209-91-08	1,000	3.00
4	3.25	3 1/4	1 15/16		04320-61-31	1,020	04320-60-31	1,275	04320-63-31	1,530	04320-90-31	1,750	04320-91-31	1,575	5.00
4	3.25	3 1/4	1	Roller	04321-61-16	1,020	04321-60-16	1,275	04321-63-16	1,530	04321-90-16	1,750	04321-91-16	1,575	5.00
4	3.25	3 1/4	1 1/4	Roller	04321-61-20	1,020	04321-60-20	1,275	04321-63-20	1,530	04321-90-20	1,750	04321-91-20	1,575	5.00
4	3.25	3 1/2	3/4	Tapered	04329-61-12	1,020	04329-60-12	1,275	04329-63-12	1,530	04329-90-12	1,750	04329-91-12	1,575	5.00
4	3.25	3 1/2	1	Tapered	04329-61-16	1,020	04329-60-16	1,275	04329-63-16	1,530	04329-90-16	1,750	04329-91-16	1,575	5.00
4	4.00	4 1/4	2 7/16		04400-61-39	1,280	04400-60-39	1,600	04400-63-39	1,920	04400-90-39	2,100	04400-91-39	1,890	10.00
4	4.00	4 1/4	1 1/4	Roller	04401-61-20	1,280	04401-60-20	1,600	04401-63-20	1,920	04401-90-20	2,100	04401-91-20	1,890	10.00
4	4.00	4 1/4	1 1/2	Roller	04401-61-24	1,280	04401-60-24	1,600	04401-63-24	1,920	04401-90-24	2,100	04401-91-24	1,890	10.00
4	4.00	4 1/2	1	Tapered	04409-61-16	1,280	04409-60-16	1,600	04409-63-16	1,920	04409-90-16	2,100	04409-91-16	1,890	10.00
4	4.00	4 1/2	1 1/4	Tapered	04409-61-20	1,280	04409-60-20	1,600	04409-63-20	1,920	04409-90-20	2,100	04409-91-20	1,890	10.00
5	2.00	2 3/16	1 3/16		05200-61-19	840	05200-60-19	1,050	05200-63-19	1,260	05200-90-19	1,300	05200-91-19	1,170	3.00
5	2.00	2 3/16	3/4	Roller	05201-61-12	840	05201-60-12	1,050	05201-63-12	1,260	05201-90-12	1,300	05201-91-12	1,170	3.00
5	2.00	2 7/16	1/2	Tapered	05209-61-08	840	05209-60-08	1,050	05209-63-08	1,260	05209-90-08	1,300	05209-91-08	1,170	3.00
5	2.50	3 1/4	1 15/16		05250-61-31	1,060	05250-60-31	1,325	05250-63-31	1,590	05250-90-31	1,600	05250-91-31	1,440	7.00
5	2.50	3 1/4	1	Roller	05251-61-16	1,060	05251-60-16	1,325	05251-63-16	1,590	05251-90-16	1,600	05251-91-16	1,440	7.00
5	2.50	3 1/4	1 1/4	Roller	05251-61-20	1,060	05251-60-20	1,325	05251-63-20	1,590	05251-90-20	1,600	05251-91-20	1,440	7.00
5	2.50	3 1/2	3/4	Tapered	05259-61-12	1,060	05259-60-12	1,325	05259-63-12	1,590	05259-90-12	1,600	05259-91-12	1,440	7.00
5	2.50	3 1/2	1	Tapered	05259-61-16	1,060	05259-60-16	1,325	05259-63-16	1,590	05259-90-16	1,600	05259-91-16	1,440	7.00
5	3.00	3 1/4	1 15/16		05300-61-31	1,225	05300-60-31	1,530	05300-63-31	1,836	05300-90-31	1,950	05300-91-31	1,755	9.00
5	3.00	3 1/4	1	Roller	05301-61-16	1,225	05301-60-20	1,530	05301-63-20	1,836	05301-90-16	1,950	05301-91-16	1,755	9.00
5	3.00	3 1/4	1 1/4	Roller	05301-61-20	1,225	05301-60-20	1,530	05301-63-20	1,836	05301-90-20	1,950	05301-91-20	1,755	9.00
5	3.00	3 1/4	3/4	Tapered	05309-61-12	1,225	05309-60-12	1,530	05309-60-12	1,836	05309-90-12	1,950	05309-91-12	1,755	9.00
5	3.00	3 1/4	1	Tapered	05309-61-16	1,225	05309-60-16	1,530	05309-60-16	1,836	05309-90-16	1,950	05309-91-16	1,755	9.00

STANDARD PROFILE POLY WHEELS 5,040 LBS



STANDARD PROFILE POLY WHEELS

WHEELS

WHEEL					PART NUMBER		PART NUMBER		PART NUMBER		PART NUMBER		PART NUMBER		
Dia.	Width	Hub Length	Bore	Bearing	T/R-85	Cap.	Std. Poly	Cap.	Hard Poly	Cap.	HPPT	Cap.	TR-95	Cap.	Wt.
6	2.00	2 3/16	1 1/5		<u>06200-61-19</u>	960	<u>06200-60-19</u>	1,200	<u>06200-63-19</u>	1,440	<u>06200-90-19</u>	1,525	<u>06200-91-19</u>	1,400	4.50
6	2.00	2 3/16	3/4	Roller	<u>06201-61-12</u>	960	<u>06201-60-12</u>	1,200	<u>06201-63-12</u>	1,440	<u>06201-90-12</u>	1,525	<u>06201-91-12</u>	1,400	4.50
6	2.00	2 7/16	1/2	Tapered	<u>06209-61-08</u>	960	<u>06209-60-08</u>	1,200	<u>06209-63-08</u>	1,440	<u>06209-90-08</u>	1,525	<u>06209-91-08</u>	1,400	4.50
6	2.00	2 7/16	3/4	Tapered	<u>06209-61-12</u>	960	<u>06209-60-12</u>	1,200	<u>06209-63-12</u>	1,440	<u>06209-90-12</u>	1,525	<u>06209-91-12</u>	1,400	4.50
6	2.50	3 1/4	1 15/16		<u>06250-61-31</u>	1,300	<u>06250-60-31</u>	1,625	<u>06250-63-31</u>	1,950	<u>06250-90-31</u>	1,925	<u>06250-91-31</u>	1,800	6.50
6	2.50	3 1/4	1	Roller	<u>06251-61-16</u>	1,300	<u>06251-60-16</u>	1,625	<u>06251-63-16</u>	1,950	<u>06251-90-16</u>	1,925	<u>06251-91-16</u>	1,800	6.50
6	2.50	3 1/4	1 1/4	Roller	<u>06251-61-20</u>	1,300	<u>06251-60-20</u>	1,625	<u>06251-63-20</u>	1,950	<u>06251-90-20</u>	1,925	<u>06251-91-20</u>	1,800	6.50
6	2.50	3 1/2	3/4	Tapered	<u>06259-61-12</u>	1,300	<u>06259-60-12</u>	1,625	<u>06259-63-12</u>	1,950	<u>06259-90-12</u>	1,925	<u>06259-91-12</u>	1,800	6.50
6	2.50	3 1/2	1	Tapered	<u>06259-61-16</u>	1,300	<u>06259-60-16</u>	1,625	<u>06259-63-16</u>	1,950	<u>06259-90-16</u>	1,925	<u>06259-91-16</u>	1,800	6.50
6	3.00	3 1/4	1 15/16		<u>06300-61-31</u>	1,640	<u>06300-60-31</u>	2,050	<u>06300-63-31</u>	2,460	<u>06300-90-31</u>	2,300	<u>06300-91-31</u>	2,070	9.50
6	3.00	3 1/4	1	Roller	<u>06301-61-16</u>	1,640	<u>06301-60-16</u>	2,050	<u>06301-63-16</u>	2,460	<u>06301-90-16</u>	2,300	<u>06301-91-16</u>	2,070	9.50
6	3.00	3 1/4	1 1/4	Roller	<u>06301-61-20</u>	1,640	<u>06301-60-20</u>	2,050	<u>06301-63-20</u>	2,460	<u>06301-90-20</u>	2,300	<u>06301-91-20</u>	2,070	9.50
6	3.00	3 1/2	3/4	Tapered	<u>06309-61-12</u>	1,640	<u>06309-60-12</u>	2,050	<u>06309-63-12</u>	2,460	<u>06309-90-12</u>	2,300	<u>06309-91-12</u>	2,070	9.50
6	3.00	3 1/2	1	Tapered	<u>06309-61-16</u>	1,640	<u>06309-60-16</u>	2,050	<u>06309-63-16</u>	2,460	<u>06309-90-16</u>	2,300	<u>06309-91-16</u>	2,070	9.50
6	3.00	3 1/2	1 1/4	Tapered	<u>06309-61-20</u>	1,640	<u>06309-60-20</u>	2,050	<u>06309-63-20</u>	2,460	<u>06309-90-20</u>	2,300	<u>06309-91-20</u>	2,070	9.50
8	2.00	2 3/16	1 3/16		<u>08200-61-19</u>	1,240	<u>08200-60-19</u>	1,550	<u>08200-63-19</u>	1,860	<u>08200-90-19</u>	2,050	<u>08200-91-19</u>	1,800	8.00
8	2.00	2 3/16	3/4	Roller	<u>08201-61-12</u>	1,240	<u>08201-60-12</u>	1,550	<u>08201-63-12</u>	1,860	<u>08201-90-12</u>	2,050	<u>08201-91-12</u>	1,800	8.00
8	2.00	2 7/16	3/4	Tapered	<u>08209-61-12</u>	1,240	<u>08209-60-12</u>	1,550	<u>08209-63-12</u>	1,860	<u>08209-90-12</u>	2,050	<u>08209-91-12</u>	1,800	8.00
8	2.50	3 1/4	1 15/16		<u>08250-61-31</u>	1,640	<u>08250-60-31</u>	2,050	<u>08250-63-31</u>	2,460	<u>08250-90-31</u>	2,575	<u>08250-91-31</u>	2,300	9.50
8	2.50	3 1/4	1	Roller	<u>08251-61-16</u>	1,640	<u>08251-60-16</u>	2,050	<u>08251-63-16</u>	2,460	<u>08251-90-16</u>	2,575	<u>08251-91-16</u>	2,300	9.50
8	2.50	3 1/4	1 1/4	Roller	<u>08251-61-20</u>	1,640	<u>08251-60-20</u>	2,050	<u>08251-63-20</u>	2,460	<u>08251-90-20</u>	2,575	<u>08251-91-20</u>	2,300	9.50
8	2.50	3 1/2	3/4	Tapered	<u>08259-61-12</u>	1,640	<u>08259-60-12</u>	2,050	<u>08259-63-12</u>	2,460	<u>08259-90-12</u>	2,575	<u>08259-91-12</u>	2,300	9.50
8	2.50	3 1/2	1	Tapered	<u>08259-61-16</u>	1,640	<u>08259-60-16</u>	2,050	<u>08259-63-16</u>	2,460	<u>08259-90-16</u>	2,575	<u>08259-91-16</u>	2,300	9.50
8	3.00	3 1/4	1 15/16		<u>08300-61-31</u>	2,000	<u>08300-60-31</u>	2,500	<u>08300-63-31</u>	3,000	<u>08300-90-31</u>	3,100	<u>08300-91-31</u>	2,800	12.50
8	3.00	3 1/4	1	Roller	<u>08301-61-16</u>	2,000	<u>08301-60-16</u>	2,500	<u>08301-63-16</u>	3,000	<u>08301-90-16</u>	3,100	<u>08301-91-16</u>	2,800	12.50
8	3.00	3 1/4	1 1/4	Roller	<u>08301-61-20</u>	2,000	<u>08301-60-20</u>	2,500	<u>08301-63-20</u>	3,000	<u>08301-90-20</u>	3,100	<u>08301-91-20</u>	2,800	12.50
8	3.00	3 1/2	3/4	Tapered	<u>08309-61-12</u>	2,000	<u>08309-60-12</u>	2,500	<u>08309-63-12</u>	3,000	<u>08309-90-12</u>	3,100	<u>08309-91-12</u>	2,800	12.50
8	3.00	3 1/2	1	Tapered	<u>08309-61-16</u>	2,000	<u>08309-60-16</u>	2,500	<u>08309-63-16</u>	3,000	<u>08309-90-16</u>	3,100	<u>08309-91-16</u>	2,800	12.50
8	3.00	3 1/2	1 1/4	Tapered	<u>08309-61-20</u>	2,000	<u>08309-60-20</u>	2,500	<u>08309-63-20</u>	3,000	<u>08309-90-20</u>	3,100	<u>08309-91-20</u>	2,800	12.50
8	4.00	4 1/4	2 7/16		<u>08400-61-39</u>	3,040	<u>08400-60-39</u>	3,800	<u>08400-63-39</u>	4,560	<u>08400-90-39</u>	4,100	<u>08400-91-39</u>	3,700	20.00
8	4.00	4 1/4	1 1/4	Roller	<u>08401-61-20</u>	3,040	<u>08401-60-20</u>	3,800	<u>08401-63-20</u>	4,560	<u>08401-90-20</u>	4,100	<u>08401-91-20</u>	3,700	20.00
8	4.00	4 1/4	1 1/2	Roller	<u>08401-61-24</u>	3,040	<u>08401-60-24</u>	3,800	<u>08401-63-24</u>	4,560	<u>08401-90-24</u>	4,100	<u>08401-91-24</u>	3,700	20.00
8	4.00	4 1/2	1	Tapered	<u>08409-61-16</u>	3,040	<u>08409-60-16</u>	3,800	<u>08409-63-16</u>	4,560	<u>08409-90-16</u>	4,100	<u>08409-91-19</u>	3,700	20.00
8	4.00	4 1/2	1 1/4	Tapered	<u>08409-61-20</u>	3,040	<u>08409-60-20</u>	3,800	<u>08409-63-20</u>	4,560	<u>08409-90-20</u>	4,100	<u>08409-91-20</u>	3,700	20.00



STANDARD PROFILE POLY WHEELS 5,040 LBS

WHEEL					PART NUMBER		PART NUMBER		PART NUMBER		PART NUMBER		PART NUMBER		
Dia.	Width	Hub Length	Bore	Bearing	T/R-85	Cap.	Std. Poly	Cap.	Hard Poly	Cap.	HPPT	Cap.	TR-95	Cap.	Wt.
10	3.00	3 1/4	1 8/9		10300-61-31	2,400	10300-60-31	3,000	10300-63-31	3,600	10300-90-31	3,450	10300-91-31	3,100	16.00
10	3.00	3 1/4	1	Roller	10301-61-16	2,400	10301-60-16	3,000	10301-63-16	3,600	10301-90-16	3,450	10301-91-16	3,100	16.00
10	3.00	3 1/4	1 1/4	Roller	10301-61-20	2,400	10301-60-20	3,000	10301-63-20	3,600	10301-90-20	3,450	10301-91-20	3,100	16.00
10	3.00	3 1/2	3/4	Tapered	10309-61-12	2,400	10309-60-12	3,000	10309-63-12	3,600	10309-90-12	3,450	10309-91-12	3,100	16.00
10	3.00	3 1/2	1	Tapered	10309-61-16	2,400	10309-60-16	3,000	10309-63-16	3,600	10309-90-16	3,450	10309-91-16	3,100	16.00
10	3.00	3 1/2	1 1/4	Tapered	10309-61-20	2,400	10309-60-20	3,000	10309-63-20	3,600	10309-90-20	3,450	10309-91-20	3,100	16.00
10	4.00	4 1/4	2 7/16		10400-61-39	3,360	10400-60-39	4,200	10400-63-39	5,040	10400-90-39	4,600	10400-91-39	4,140	23.00
10	4.00	4 1/4	1 1/4	Roller	10401-61-20	3,360	10401-60-20	4,200	10401-63-20	5,040	10401-90-20	4,600	10401-91-20	4,140	23.00
10	4.00	4 1/4	1 1/2	Roller	10401-61-24	3,360	10401-60-24	4,200	10401-63-24	5,040	10401-90-24	4,600	10401-91-24	4,140	23.00
10	4.00	4 1/2	1	Tapered	10409-61-16	3,360	10409-60-16	4,200	10409-63-16	5,040	10409-90-16	4,600	10409-91-16	4,140	23.00
10	4.00	4 1/2	1 1/4	Tapered	10409-61-20	3,360	10409-60-20	4,200	10409-63-20	5,040	10409-90-20	4,600	10409-91-20	4,140	23.00
12	3.00	3 1/4	1 15/16		12300-61-31	2,800	12300-60-31	3,500	12300-63-31	4,200	12300-90-31	3,800	12300-91-31	3,400	21.00
12	3.00	3 1/4	1	Roller	12301-61-16	2,800	12301-60-16	3,500	12301-63-16	4,200	12301-90-16	3,800	12301-91-16	3,400	21.00
12	3.00	3 1/4	1 1/4	Roller	12301-61-20	2,800	12301-60-20	3,500	12301-63-20	4,200	12301-90-20	3,800	12301-91-20	3,400	21.00
12	3.00	3 1/2	3/4	Tapered	12309-61-12	2,800	12309-60-12	3,500	12309-63-12	4,200	12309-90-12	3,800	12309-91-12	3,400	21.00
12	3.00	3 1/2	1	Tapered	12309-61-16	2,800	12309-60-16	3,500	12309-63-16	4,200	12309-90-16	3,800	12309-91-16	3,400	21.00
12	3.00	3 1/2	1 1/4	Tapered	12309-61-20	2,800	12309-60-20	3,500	12309-63-20	4,200	12309-90-20	3,800	12309-91-20	3,400	21.00

(ITEM SHOWN: 08300-66-16-KWC)



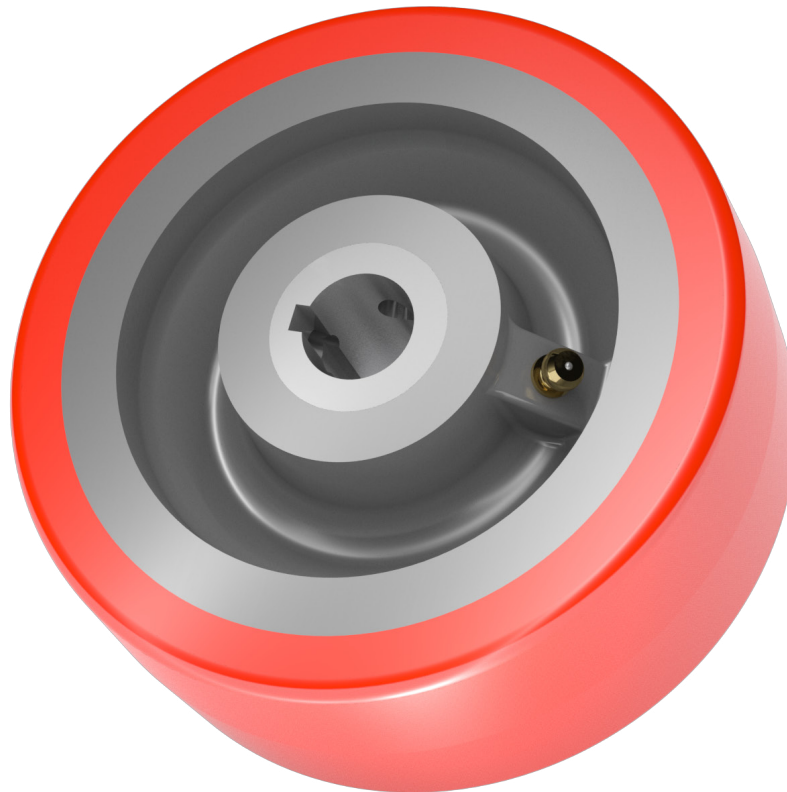
STANDARD PROFILE POLY WHEELS 5,040 LBS



STANDARD PROFILE POLY WHEELS

WHEEL					PART NUMBER		PART NUMBER		PART NUMBER		PART NUMBER		
Dia.	Width	Hub Length	Bore	Ball Bearing	T/R-85	Cap.	Std. Poly	Cap.	Hard Poly	Cap.	HPPT	Cap.	Wt.
5	2.00	2 7/16	1/2	Precision	05202-61-08	840	05202-60-08	1,050			05202-90-08	1,300	3.00
6	2.00	2 7/16	1/2	Precision	06202-61-08	960	06202-60-08	1,200	06202-63-08	1,440	06202-90-08	1,525	4.50
6	3.00	3 1/2	3/4	Precision	06302-61-12	1,640	06302-60-12	2,050	06302-63-12	2,460	06302-90-12	2,300	9.50
8	2.00	2 7/16	1/2	Precision	08202-61-08	1,240	08202-60-08	1,550	08202-63-08	1,860	08202-90-08	2,050	8.00
8	2.50	3 1/2	3/4	Precision	08252-61-12	1,640	08252-60-12	2,050			08252-90-12	2,575	9.50
8	3.00	3 1/2	3/4	Precision	08302-61-12	2,000	08302-60-12	2,500	08302-63-12	3,000	08302-90-12	3,100	12.50
8	3.00	3 1/2	1	Precision	08302-61-16	2,000	08302-60-16	2,500	08302-63-16	3,000	08302-90-16	3,100	12.50
10	3.00	3 1/2	3/4	Precision	10302-61-12	2,400	10302-60-12	3,000	10302-63-12	3,600	10302-90-12	3,450	16.00
10	3.00	3 1/2	1	Precision	10302-61-16	2,400	10302-60-16	3,000	10302-63-16	3,600	10302-90-16	3,450	16.00
12	1.75	3 1/2	3/4	Precision	12172-61-12	1,500	12172-60-12	1,700			12172-90-12	1,900	18.00
12	3.00	3 1/2	3/4	Precision	12302-61-12	2,800	12302-60-12	3,500	12302-63-12	3,540	12302-90-12	3,540	21.00
12	3.00	3 1/2	1	Precision	12302-61-16	2,800	12302-60-16	3,500	12302-63-16	3,720	12302-90-16	3,720	21.00
12	3.00	3 1/2	1 1/4	Precision	12302-61-20	2,800	12302-60-20	3,500			12302-90-16	3,800	21.00

(PRODUCTO DEMOSTRADO: 08300-66-16-KWC)



WHEELS



HIGH PROFILE POLY WHEELS 11,250 LBS

WHEEL					PART NUMBER		PART NUMBER		PART NUMBER		PART NUMBER		PART NUMBER		
Dia.	Width	Hub Length	Bore	Bearing	T/R-85	Cap.	Std. Poly	Cap.	Hard Poly	Cap.	HPPT	Cap.	TR-95	Cap.	Wt.
4	2.00	2 7/16	1/2	Precision	04202-66-08	600	04202-65-08	750	04202-67-08	1,200	04202-95-08	1,400	04202-96-08	1,260	3.00
6	3.00	3 1/4	1 15/16		06300-66-31	2,050	06300-65-31	2,450	06300-67-31	2,950	06300-95-31	3,600	06300-96-31	3,240	9.50
6	3.00	3 1/4	1	Roller	06301-66-16	2,050	06301-65-16	2,450	06301-67-16	2,950	06301-95-16	3,600	06301-96-16	3,240	9.50
6	3.00	3 1/4	1 1/4	Roller	06301-66-20	2,050	06301-65-20	2,450	06301-67-20	2,950	06301-95-20	3,600	06301-96-20	3,240	9.50
6	3.00	3 1/2	3/4	Tapered	06309-66-12	2,050	06309-65-12	2,450	06309-67-12	2,950	06309-95-12	3,600	06309-96-12	3,240	9.50
6	4.00	3 1/2	1	Tapered	06309-66-16	2,050	06309-65-16	2,450	06309-67-16	2,950	06309-95-16	3,600	06309-96-16	3,240	9.50
6	4.00	4 1/4	2 7/16		06400-66-39	2,400	06400-65-39	3,000	06400-67-39	3,600	06400-95-39	4,600	06400-96-39	4,140	17.00
6	4.00	4 1/4	1 1/4	Roller	06401-66-20	2,400	06401-65-20	3,000	06401-67-20	3,600	06401-95-20	4,600	06401-96-20	4,140	17.00
6	4.00	4 1/4	1 1/2	Roller	06401-66-24	2,400	06401-65-24	3,000	06401-67-24	3,600	06401-95-24	4,600	06401-96-24	4,140	17.00
6	4.00	4 1/2	1	Tapered	06409-66-16	2,400	06409-65-16	3,000	06409-67-16	3,600	06409-95-16	4,600	06409-96-16	4,140	17.00
6	4.00	4 1/2	1 1/4	Tapered	06409-66-20	2,400	06409-65-20	3,000	06409-67-20	3,600	06409-95-20	4,600	06409-96-20	4,140	17.00
6	5.00	5 1/4	2 7/16		06500-66-39	2,960	06500-65-39	3,700	06500-67-39	4,400	06500-95-39	5,800	06500-96-39	5,200	20.00
6	5.00	5 1/4	1 1/4	Roller	06501-66-20	2,960	06501-65-20	3,700	06501-67-20	4,400	06501-95-20	5,800	06501-96-20	5,200	20.00
6	5.00	5 1/4	1 1/2	Roller	06501-66-24	2,960	06501-65-24	3,700	06501-67-24	4,400	06501-95-24	5,800	06501-96-24	5,200	20.00
6	5.00	5 1/2	1	Tapered	06509-66-16	2,960	06509-65-16	3,700	06509-67-16	4,400	06509-95-16	5,800	06509-96-16	5,200	20.00
6	5.00	5 1/2	1 1/4	Tapered	06509-66-20	2,960	06509-65-20	3,700	06509-67-20	4,400	06509-95-20	5,800	06509-96-20	5,200	20.00
8	3.00	3 1/4	1 15/16		08300-66-31	2,480	08300-65-31	3,100	08300-67-31	3,500	08300-95-31	4,300	08300-96-31	3,900	17.00
8	3.00	3 1/4	1	Roller	08301-66-16	2,480	08301-65-16	3,100	08301-67-16	3,500	08301-95-16	4,300	08301-96-16	3,900	17.00
8	3.00	3 1/4	1 1/4	Roller	08301-66-20	2,480	08301-65-20	3,100	08301-67-20	3,500	08301-95-20	4,300	08301-96-20	3,900	17.00
8	3.00	3 1/2	3/4	Tapered	08309-66-12	2,480	08309-65-12	3,100	08309-67-12	3,500	08309-95-12	4,300	08309-96-12	3,900	17.00
8	3.00	3 1/2	1	Tapered	08309-66-16	2,480	08309-65-16	3,100	08309-67-16	3,500	08309-95-16	4,300	08309-96-16	3,900	17.00
10	3.00	3 1/4	2 7/16		10300-69-39	2,960	10300-68-39	3,700	10300-67-39	4,440	10300-98-39	4,800	10300-96-39	4,300	24.00
10	3.00	3 1/4	1 15/16		10300-66-31	2,960	10300-65-31	3,700	10300-67-31	4,400	10300-95-31	4,800	10300-96-31	4,300	24.00
10	3.00	3 1/4	1	Roller	10301-66-16	2,960	10301-65-16	3,700	10301-67-16	4,400	10301-95-16	4,800	10301-96-16	4,300	24.00
10	3.00	3 1/4	1 1/4	Roller	10301-66-20	2,960	10301-65-20	3,700	10301-67-20	4,400	10301-95-20	4,800	10301-96-20	4,300	24.00
10	3.00	3 1/4	1 1/2	Roller	10301-69-24	2,960	10301-68-24	3,700	10301-67-24	4,400	10301-98-24	4,800	10301-96-24	4,300	24.00
10	3.00	3 1/2	3/4	Tapered	10309-66-12	2,960	10309-65-12	3,700	10309-67-12	4,440	10309-95-12	4,800	10309-96-12	4,300	24.00
10	3.00	3 1/2	1	Tapered	10309-66-16	2,960	10309-65-16	3,700	10309-67-16	4,440	10309-95-16	4,800	10309-96-16	4,300	24.00
10	3.00	3 1/2	1 1/4	Tapered	10309-69-20	2,960	10309-68-20	3,700	10309-67-20	4,440	10309-98-20	4,800	10309-96-20	4,300	24.00
10	4.00	4 1/4	2 7/16		10400-66-39	4,000	10400-65-39	5,000	10400-67-39	6,000	10400-95-39	6,500	10400-96-39	5,850	33.00
10	4.00	4 1/4	1 1/4	Roller	10401-66-20	4,000	10401-65-20	5,000	10401-67-20	6,000	10401-95-20	6,500	10401-96-20	5,850	33.00
10	4.00	4 1/4	1 1/2	Roller	10401-66-24	4,000	10401-65-24	5,000	10401-67-24	6,000	10401-95-24	6,500	10401-96-24	5,850	33.00
10	4.00	4 1/2	1	Tapered	10409-66-16	4,000	10409-65-16	5,000	10409-67-16	6,000	10409-95-16	6,500	10409-96-16	5,850	33.00
10	4.00	4 1/2	1 1/4	Tapered	10409-66-20	4,000	10409-65-20	5,000	10409-67-20	6,000	10409-95-20	6,500	10409-96-20	5,850	33.00
10	5.00	5 1/4	2 7/16		10500-66-39	4,800	10500-65-39	6,000	10500-67-39	7,200	10500-95-39	7,900	10500-96-39	7,100	45.00
10	5.00	5 1/4	1 1/4	Roller	10501-66-20	4,800	10501-65-20	6,000	10501-67-20	7,200	10501-95-20	7,900	10501-96-20	7,100	45.00

HIGH PROFILE POLY WHEELS 11,250 LBS



HIGH PROFILE POLY WHEELS

WHEELS

WHEEL					PART NUMBER		PART NUMBER		PART NUMBER		PART NUMBER		PART NUMBER		
Dia.	Width	Hub Length	Bore	Bearing	T/R-85	Cap.	Std. Poly	Cap.	Hard Poly	Cap.	HPPT	Cap.	TR-95	Cap.	Wt.
12	3.00	3 1/4	2 7/16		12300-66-39	3,080	12300-65-39	3,850	12300-67-39	4,620	12300-95-39	5,250	12300-96-39	4,725	24.00
12	3.00	3 1/4	1 1/4	Roller	12301-66-20	3,080	12301-65-20	3,850	12301-67-20	4,620	12301-95-20	5,250	12301-96-20	4,725	24.00
12	3.00	3 1/4	1 1/2	Roller	12301-66-24	3,080	12301-65-24	3,850	12301-67-24	4,620	12301-95-24	5,250	12301-96-24	4,725	24.00
12	3.00	3 1/2	1	Tapered	12309-66-16	3,080	12309-65-16	3,850	12309-67-16	4,620	12309-95-16	5,250	12309-96-16	4,725	24.00
12	3.00	3 1/2	1 1/4	Tapered	12309-66-20	3,080	12309-65-20	3,850	12309-67-20	4,620	12309-95-20	5,250	12309-96-20	4,725	24.00
12	4.00	4 1/4	2 7/16		12400-66-39	4,400	12400-65-39	5,500	12400-67-39	6,600	12400-95-39	7,000	12400-96-39	6,300	30.00
12	4.00	4 1/4	1 1/4	Roller	12401-66-20	4,400	12401-65-20	5,500	12401-67-20	6,600	12401-95-20	7,000	12401-96-20	6,300	30.00
12	4.00	4 1/4	1 1/2	Roller	12401-66-24	4,400	12401-65-24	5,500	12401-67-24	6,600	12401-95-24	7,000	12401-96-24	6,300	30.00
12	4.00	4 1/2	1	Tapered	12409-66-16	4,400	12409-65-16	5,500	12409-67-16	6,600	12409-95-16	7,000	12409-96-16	6,300	30.00
12	4.00	4 1/2	1 1/4	Tapered	12409-66-20	4,400	12409-65-20	5,500	12409-67-20	6,600	12409-95-20	7,000	12409-96-20	6,300	30.00
12	5.00	5 1/4	2 7/16		12500-66-39	5,200	12500-65-39	6,500	12500-67-39	7,800	12500-95-39	8,400	12500-96-39	7,560	45.00
12	5.00	5 1/4	1 1/4	Roller	12501-66-20	5,200	12501-65-20	6,500	12501-67-20	7,800	12501-95-20	8,400	12501-96-20	7,560	45.00
12	5.00	5 1/4	1 1/2	Roller	12501-66-24	5,200	12501-65-24	6,500	12501-67-24	7,800	12501-95-24	8,400	12501-96-24	7,560	45.00
12	5.00	5 1/2	1	Tapered	12509-66-16	5,200	12509-65-16	6,500	12509-67-16	7,800	12509-95-16	8,400	12509-96-16	7,560	45.00
12	5.00	5 1/2	1 1/4	Tapered	12509-66-20	5,200	12509-65-20	6,500	12509-67-20	7,800	12509-95-20	8,400	12509-96-20	7,560	45.00
16	4.00	4 1/4	2 7/16		16400-66-39	4,825	16400-65-39	6,000	16400-67-39	8,000	16400-95-39	8,125	16400-96-39	7,300	40.00
16	4.00	4 1/4	1 1/4	Roller	16401-66-20	4,825	16401-65-20	6,000	16401-67-20	8,000	16401-95-20	8,125	16401-96-20	7,300	40.00
16	4.00	4 1/4	1 1/2	Roller	16401-66-24	4,825	16401-65-24	6,000	16401-67-24	8,000	16401-95-24	8,125	16401-96-24	7,300	40.00
16	4.00	4 1/2	1	Tapered	16409-66-16	4,825	16409-65-16	6,000	16409-67-16	8,000	16409-95-16	8,125	16409-96-16	7,300	40.00
16	4.00	4 1/2	1 1/4	Tapered	16409-66-20	4,825	16409-65-20	6,000	16409-67-20	8,000	16409-95-20	8,125	16409-96-20	7,300	40.00
16	5.00	5 1/4	2 7/16		16500-66-39	6,000	16500-65-39	8,000	16500-67-39	9,000	16500-95-39	9,125	16500-96-39	8,200	72.00
16	5.00	5 1/4	1 1/4	Roller	16501-66-20	6,000	16501-65-20	8,000	16501-67-20	9,000	16501-95-20	9,125	16501-96-20	8,200	72.00
16	5.00	5 1/4	1 1/2	Roller	16501-66-24	6,000	16501-65-24	8,000	16501-67-24	9,000	16501-95-24	9,125	16501-96-24	8,200	72.00
16	5.00	5 1/2	1	Tapered	16509-66-16	6,000	16509-65-16	8,000	16509-67-16	9,000	16509-95-16	9,125	16509-96-16	8,200	72.00
16	5.00	5 1/2	1 1/4	Tapered	16509-66-20	6,000	16509-65-20	8,000	16509-67-20	9,000	16509-95-20	9,125	16509-96-20	8,200	72.00
18	5.00	5 1/4	2 7/16		18500-66-39	6,400	18500-65-39	8,500	18500-67-39	9,000	18500-95-39	9,500	18500-96-39	8,550	90.00
18	5.00	5 1/4	1 1/4	Roller	18501-66-20	6,400	18501-65-20	8,500	18501-67-20	9,000	18501-95-20	9,500	18501-96-20	8,550	90.00
18	5.00	5 1/4	1 1/2	Roller	18501-66-24	6,400	18501-65-24	8,500	18501-67-24	9,000	18501-95-24	9,500	18501-96-24	8,550	90.00
18	5.00	5 1/2	1	Tapered	18509-66-16	6,400	18509-65-16	8,500	18509-67-16	9,000	18509-95-16	9,500	18509-96-16	8,550	90.00
18	5.00	5 1/2	1 1/4	Tapered	18509-66-20	6,400	18509-65-20	8,500	18509-67-20	9,000	18509-95-20	9,500	18509-96-20	8,550	90.00
20	5.00	5 1/4	2 7/16		20500-66-39	6,750	20500-65-39	9,000	20500-67-39	10,500	20500-95-39	11,250	20500-96-39	10,125	110.00
20	5.00	5 1/4	1 1/4	Roller	20501-66-20	6,750	20501-65-20	9,000	20501-67-20	10,500	20501-95-20	11,250	20501-96-20	10,125	110.00
20	5.00	5 1/4	1 1/2	Roller	20501-66-24	6,750	20501-65-24	9,000	20501-67-24	10,500	20501-95-24	11,250	20501-96-24	10,125	110.00
20	5.00	5 1/4	2	Roller	20501-66-32	6,750	20501-65-32	9,000	20501-67-32	10,500	20501-95-32	11,250	20501-96-32	10,125	110.00
20	5.00	5 1/2	1	Tapered	20509-66-16	6,750	20509-65-16	9,000	20509-67-16	10,500	20509-95-16	11,250	20509-96-16	10,125	110.00
20	5.00	5 1/2	1 1/4	Tapered	20509-66-20	6,750	20509-65-20	9,000	20509-67-20	10,500	20509-95-20	11,250	20509-96-20	10,125	110.00
20	5.00	5 1/2	1 1/2	Tapered	20509-66-24	6,750	20509-65-24	9,000	20509-67-24	10,500	20509-95-24	11,250	20509-96-24	10,125	110.00
20	5.00	5 1/2	2	Tapered	20509-66-32	6,750	20509-65-32	9,000	20509-67-32	10,500	20509-95-32	11,250	20509-96-32	10,125	110.00



Caster Concepts has developed a wide range of industrial application solutions using engineered plastics. Some of these applications include:

VERTICAL DROP LIFT GUIDE AND ROLLER ASSEMBLIES

CONVEYOR ACCUMULATION ROLLERS

TURN TABLE SUPPORT AND LOAD WHEELS

HIGH LOAD CAPACITY CASTER WHEELS

Caster Concepts chooses materials, which are suited to the customer's specific application, where duty cycle, environment and loads are fully understood. Engineered plastics offer lower coefficient of friction and good abrasion resistance, and excellent structural rigidity in a wide variety of applications where cast iron or steel were previously used.

Many of the compositions are filled with lubricating materials which allow applications in situations where maintenance is an issue. Materials can be dynamically tested in the Caster Concepts Engineering Test facility to duplicate duty cycle and loads prior to installation in the field.

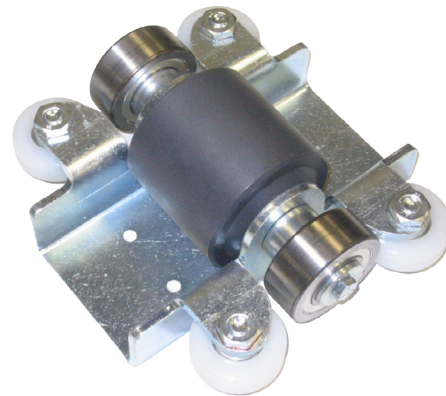
Caster Concepts' NYTEC- MD materials are widely used as idlers and support wheels in many large turn table applications. They provide a high load capacity while also offering a material that will provide reduced noise when compared to steel.

The Caster Concepts NYTEC- HS is a heat stabilized material which is suited for higher loads, with thermal stability up to 260 degrees Fahrenheit. This material is excellent in applications where continual use is necessary. Wheels manufactured in NYTEC- HS material have been tested under load to 2 million revolutions and have shown little or no wear to the tread surface.

Engineered Plastic Wheels and Rollers offer you additional solution opportunities for your specific application needs. Contact Caster Concepts for assistance in designing a rolling solution for you.



Floor-to-floor elevator guide wheel of NYTEC-HS



Automotive Assembly line roller flight accumulation conveyor roller



Belt Conveyor take up assembly with belt guard

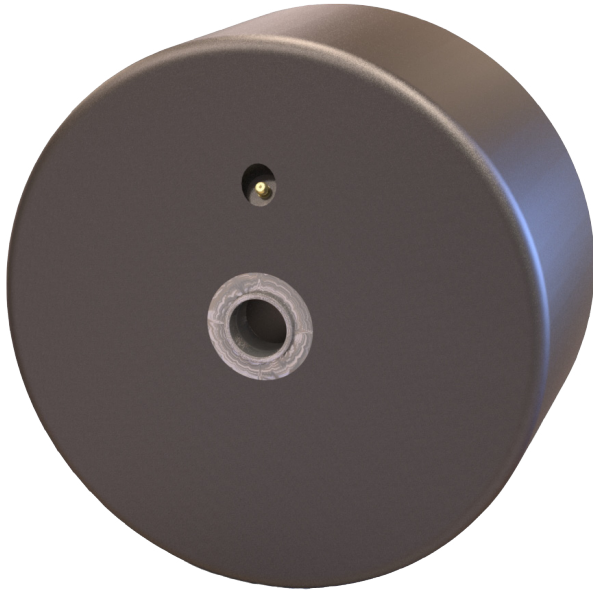


NYTEC-MD WHEELS

9,360 LBS maximum capacity

NYTEC-MD WHEELS

WHEELS



FEATURES

NyTec-MD is a nylon filled material which provides a high load capacity, floor protective wheel. Wheel capacities approach those of similar cast iron and steel wheels. Nytec-MD material is resistant to most harsh environments. The non-abrasive and vibration dampening material actually provides a quieter operation when compared to steel or cast iron wheels. When used in wet environments, plain bore NyTec-MD wheels can be used as the material is self lubricating. NyTec wheels are offered with precision tapered, precision ball, and straight roller bearings. For special applications, contact the factory.

WHEEL				PART NUMBER			CAPACITY
Dia.	Width	Hub Length	Bore	Roller	Ball	Tapered	Capacity
3	2.19	2 7/16	1/2	03201-39-12	03202-39-08	03209-39-08	1,560
3	3.25	3 1/2	1	03301-39-16*		03309-39-16	2,340
3	3.25	3 1/4	1 1/4	03301-39-20			2,340
3	4.25	4 1/2	3/4		03402-39-12	03409-39-12	2,340
3	4.25	4 1/2	1			03409-39-16	3,120
4	2.19	2 7/16	1/2	04201-39-12	04202-39-08	04209-39-08	2,080
4	3.25	3 1/2	3/4		04302-39-12	04309-39-12	3,120
4	3.25	3 1/2	1	04301-39-16*		04309-39-16	3,120
4	3.25	3 1/2	1 1/4	04301-39-20*		04309-39-20	3,120
4	4.25	4 1/2	3/4		04402-39-12	04409-39-12	4,160
4	4.25	4 1/2	1		04402-39-16	04409-39-16	4,160
4	4.25	4 1/2	1 1/4	04401-39-20*	04402-39-20	04409-39-20	4,160
4	4.25	4 1/4	1 1/2	04401-39-24			4,160



NYTEC-MD WHEELS 9,360 LBS

WHEEL				PART NUMBER			CAPACITY
Dia.	Width	Hub Length	Bore	Roller	Ball	Tapered	Capacity
6	2.19	2 7/16	1/2	<u>06201-39-12</u>	<u>06202-39-08</u>	<u>06209-39-08</u>	3,120
6	3.25	3 1/2	3/4		<u>06302-39-12</u>	<u>06309-39-12</u>	4,680
6	3.25	3 1/2	1	<u>06301-39-16*</u>	<u>06302-39-16</u>	<u>06309-39-16</u>	4,680
6	3.25	3 1/2	1 1/4	<u>06301-39-20*</u>	<u>06302-39-20</u>	<u>06309-39-20</u>	4,680
6	4.25	4 1/2	1		<u>06402-39-16</u>	<u>06409-39-16</u>	6,240
6	4.25	4 1/2	1 1/4	<u>06401-39-20*</u>	<u>06402-39-20</u>	<u>06409-39-20</u>	6,240
6	4.25	4 1/4	1 1/2	<u>06401-39-24</u>			6,240
6	5.25	5 1/2	1		<u>06502-39-16</u>	<u>06509-39-16</u>	7,800
6	5.25	5 1/2	1 1/4	<u>06501-39-20*</u>	<u>06502-39-20</u>	<u>06509-39-20</u>	7,800
6	5.25	5 1/4	1 1/2	<u>06501-39-24</u>			7,800
8	2.19	2 7/16	1/2	<u>08201-39-12</u>	<u>08202-39-08</u>	<u>08209-39-08</u>	4,160
8	3.25	3 1/2	3/4		<u>08302-39-12</u>	<u>08309-39-12</u>	6,240
8	3.25	3 1/2	1	<u>08301-39-16*</u>	<u>08302-39-16</u>	<u>08309-39-16</u>	6,240
8	3.25	3 1/2	1 1/4	<u>08301-39-20*</u>	<u>08302-39-20</u>	<u>08309-39-20</u>	6,240
8	4.25	4 1/2	1		<u>08402-39-16</u>	<u>08409-39-16</u>	8,320
8	4.25	4 1/2	1 1/4	<u>08401-39-20*</u>	<u>08402-39-20</u>	<u>08409-39-20</u>	8,320
8	4.25	4 1/4	1 1/2	<u>08401-39-24</u>			8,320
8	5.25	5 1/2	1		<u>08502-39-16</u>	<u>08509-39-16</u>	10,400
8	5.25	5 1/2	1 1/4	<u>08501-39-20*</u>	<u>08502-39-20</u>	<u>08509-39-20</u>	10,400
8	5.25	5 1/4	1 1/2	<u>08501-39-24</u>			10,400
10	3.25	3 1/2	3/4		<u>10302-39-12</u>	<u>10309-39-12</u>	7,800
10	3.25	3 1/2	1	<u>10301-39-16*</u>	<u>10302-39-16</u>	<u>10309-39-16</u>	7,800
10	3.25	3 1/2	1 1/4	<u>10301-39-20*</u>	<u>10302-39-20</u>	<u>10309-39-20</u>	7,800
10	4.25	4 1/2	1		<u>10402-39-16</u>	<u>10409-39-16</u>	10,400
10	4.25	4 1/2	1 1/4	<u>10401-39-20*</u>	<u>10402-39-20</u>	<u>10409-39-20</u>	10,400
10	4.25	4 1/4	1 1/2	<u>10401-39-24</u>			10,400
10	5.25	5 1/2	1		<u>10502-39-16</u>	<u>10509-39-16</u>	13,000
10	5.25	5 1/2	1 1/4	<u>10501-39-20*</u>	<u>10502-39-20</u>	<u>10509-39-20</u>	13,000
10	5.25	5 1/4	1 1/2	<u>10501-39-24</u>			13,000
12	3.25	3 1/2	3/4		<u>12302-39-12</u>	<u>12309-39-12</u>	11,440
12	3.25	3 1/2	1	<u>12301-39-16*</u>	<u>12302-39-16</u>	<u>12309-39-16</u>	11,440
12	3.25	3 1/2	1 1/4	<u>12301-39-20*</u>	<u>12302-39-20</u>	<u>12309-39-20</u>	11,440
12	4.25	3 1/2	1		<u>12402-39-16</u>	<u>12409-39-16</u>	12,480
12	4.25	3 1/2	1 1/4	<u>12401-39-20*</u>	<u>12402-39-20</u>	<u>12409-39-20</u>	12,480
12	4.25	3 1/4	1 1/2	<u>12401-39-24</u>			12,480
12	5.25	5 1/2	1		<u>12502-39-16</u>	<u>12509-39-16</u>	15,600
12	5.25	5 1/2	1 1/4	<u>12501-39-20*</u>	<u>12502-39-20</u>	<u>12509-39-20</u>	15,600
12	5.25	5 1/2	1 1/2	<u>12501-39-24</u>			15,600
12	6.25	6 1/2	1		<u>12602-39-16</u>	<u>12609-39-16</u>	18,720
12	6.25	6 1/2	1 1/4		<u>12602-39-20</u>	<u>12609-39-20</u>	18,720

* These wheels have .25 shorter hub length.



KEYWAY WHEELS

3,000 LBS maximum capacity



FEATURES

A wide variety of keyway drive wheels are available. Keyway drive wheels are used in various power transmission applications. The keyways are cut to fit a keywayed shaft and are held in place with two set screws. One set screw is placed over the key and one at 90 degrees to the keyway. The most popular models in rubber and soft polyurethane are shown in the charts. Keyway wheels are manufactured in other materials, forged steel or cast iron, are available. Check the wheel widths on the chart and select the appropriate bushing. Costing for specific requirements is also readily available.

WHEEL

Dia.	Width	Hub Length	Bore	Keyway Size	Part Number	Capacity
Drive Rollers - Mold on Rubber Roller Surfaces - Durometer hardness is 70-75A						
3	2.00	3 1/4 offset	1/2	1/8 x 1/16	03200-70-08-KWA	300
3	2.00	3 1/4 offset	3/4	3/16 x 3/32	03200-70-12-KWB	300
4	2.00	3 1/4 offset	1/2	1/8 x 1/16	04200-70-08-KWA	350
4	2.00	3 1/4 offset	3/4	3/16 x 3/32	04200-70-12-KWB	350
5	2.00	2 3/16	1/2	1/8 x 1/16	05200-70-08-KWAA	400
5	2.00	2 3/16	3/4	3/16 x 3/32	05200-70-12-KWBB	400
6	2.00	2 3/16	1/2	1/8 x 1/16	06200-70-08-KWAA	425
6	2.00	2 3/16	3/4	3/16 x 3/32	06200-70-12-KWBB	425
6	3.00	3 1/4	1/2	1/8 x 1/16	06300-70-08-KWA	500
6	3.00	3 1/4	3/4	3/16 x 3/32	06300-70-12-KWB	500
6	3.00	3 1/4	1	1/4 x 1/8	06300-70-16-KWC	500
6	3.00	3 1/4	1 1/4	1/4 x 1/8	06300-70-20-KWD	500
8	2.00	2 3/16	1/2	1/8 x 1/16	08200-70-08-KWAA	500
8	2.00	2 3/16	3/4	3/16 x 3/32	08200-70-12-KWBB	500
8	3.00	3 1/4	1/2	1/8 x 1/16	08300-70-08-KWA	850
8	3.00	3 1/4	3/4	3/16 x 3/32	08300-70-12-KWB	850
8	3.00	3 1/4	1	1/4 x 1/8	08300-70-16-KWC	850
8	3.00	3 1/4	1 1/4	1/4 x 1/8	08300-70-20-KWD	850
10	3.00	3 1/4	1/2	1/8 x 1/16	10300-70-08-KWA	800
10	3.00	3 1/4	3/4	3/16 x 3/32	10300-70-12-KWB	800
10	3.00	3 1/4	1	1/4 x 1/8	10300-70-16-KWC	1,000
10	3.00	3 1/4	1 1/4	1/4 x 1/8	10300-70-20-KWD	1,000
10	4.00	4 1/4	1 1/2	3/8 x 3/16	10400-70-24-KWE	1,400



KEYWAY WHEELS 3,000 LBS

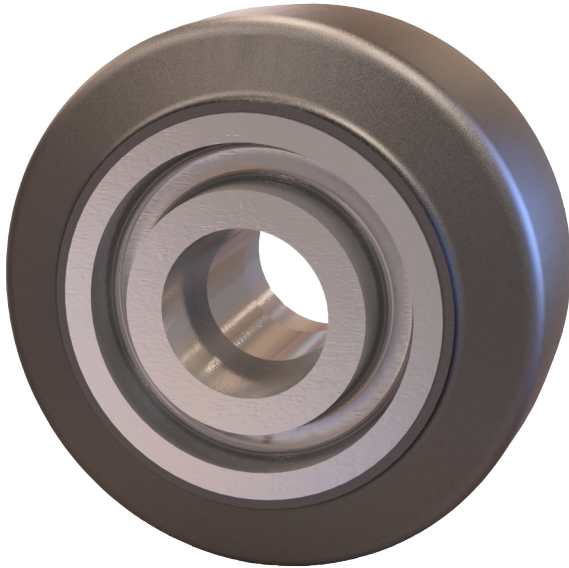
WHEEL						
Dia.	Width	Hub Length	Bore	Keyway Size	Part Number	Capacity
Drive Rollers - Soft Polyurethane Roller Surfaces - Durometer Hardness is 85A						
3	2.00	3 1/4 offset	1/2	1/8 x 1/16	03200-61-08-KWA	300
3	2.00	3 1/4 offset	3/4	3/16 x 3/32	03200-61-12-KWB	300
4	2.00	3 1/4 offset	1/2	1/8 x 1/16	04200-66-08-KWA	350
4	2.00	3 1/4 offset	3/4	3/16 x 3/32	04200-66-12-KWB	350
5	2.00	2 3/16	1/2	1/8 x 1/16	05200-61-08-KWAA	400
5	2.00	2 3/16	3/4	3/16 x 3/32	05200-61-12-KWBB	400
6	2.00	2 3/16	1/2	1/8 x 1/16	06200-61-08-KWAA	425
6	2.00	2 3/16	3/4	3/16 x 3/32	06200-61-12-KWBB	425
6	3.00	3 1/4	1/2	1/8 x 1/16	06300-66-08-KWA	800
6	3.00	3 1/4	3/4	3/16 x 3/32	06300-66-12-KWB	800
6	3.00	3 1/4	1	1/4 x 1/8	06300-66-16-KWC	1,600
6	3.00	3 1/4	1 1/4	1/4 x 1/8	06300-66-20-KWD	1,600
8	2.00	2 3/16	1/2	1/8 x 1/16	08200-61-08-KWAA	500
8	2.00	2 3/16	3/4	3/16 x 3/32	08200-61-12-KWBB	500
8	3.00	3 1/4	1/2	1/8 x 1/16	08300-66-08-KWA	800
8	3.00	3 1/4	3/4	3/16 x 3/32	08300-66-12-KWB	800
8	3.00	3 1/4	1	1/4 x 1/8	08300-66-16-KWC	1,600
8	3.00	3 1/4	1 1/4	1/4 x 1/8	08300-66-20-KWD	1,600
10	3.00	3 1/4	3/4	3/16 x 3/32	10300-66-12-KWB	800
10	3.00	3 1/4	1	1/4 x 1/8	10300-66-16-KWC	1,600
10	3.00	3 1/4	1 1/4	1/4 x 1/8	10300-66-20-KWD	1,600
10	4.00	4 1/4	1 1/2	3/8 x 3/16	10400-66-24-KWE	2,500
10	5.00	5 1/4	1 1/2	3/8 x 3/16	10500-66-24-KWEE	2,500
12	4.00	4 1/4	1 1/2	3/8 x 3/16	12400-66-24-KWE	3,000

BUSHINGS FOR MOTORIZED/KEYWAY WHEELS					
Part	Inner Diameter	Outer Diameter	Length	Keyway	Wheel Width
KWAA	0.5	1.19	2.44	0.125	2"
KWBB	0.75	1.19	2.44	0.188	2"
KWA	0.5	1.94	3.25	0.125	2-1/2" or 3"
KWB	0.75	1.94	3.25	0.188	2-1/2" or 3"
KWC	1	1.94	3.25	0.25	2-1/2" or 3"
KWD	1.25	1.94	3.25	0.25	2-1/2" or 3"
KWE	1.5	2.44	4.25	0.375	4"
KWEE	1.5	2.44	5.25	0.375	5"



MOLD ON RUBBER WHEELS

3,000 LBS maximum capacity



FEATURES

Bearings: Delrin, oilite, roller, precision ball, tapered.

Temperature: Maximum to 180° F

Durometer: 70 Durometer Shore A

Standard: All 1-1/2" and 2" width wheels with 3/4" roller bearings are supplied with 1/2" spanner bushing.

Caster Concepts offers the highest quality domestic Mold On Rubber wheels. Our mold-on rubber wheels consist of a soft black, 70 durometer rubber tread permanently bonded Class 30 gray iron centers. Mold-on rubber wheels provide excellent floor protection, a cushioned and quiet ride for the product being transported, and they absorb shock and vibration.

APPLICATIONS

Excellent for moist and wet environments, food service equipment, small waste bins, factory use, platform trucks and hotel equipment.



MOLD ON RUBBER WHEELS 3,000 LBS

WHEEL					PART NUMBER			
Dia.	Width	Capacity	Hub Length	Bore	Straight Roller	Precision Tapered	Less Bearing	Wt.
5	2.00	400	2 3/16	1 3/16			<u>05200-70-19</u>	2.50
5	2.00	400	2 3/16	3/4	<u>05201-70-12</u>			2.50
6	2.00	425	2 3/16	1 3/16			<u>06200-70-19</u>	4.50
6	2.00	425	2 3/16	3/4	<u>06201-70-12</u>			4.50
6	2.50	550	3 1/4	1 15/16			<u>06250-70-31</u>	6.50
6	2.50	550	3 1/4	1	<u>06251-70-16</u>			6.50
6	2.50	550	3 1/4	1 1/4	<u>06251-70-20</u>			6.50
6	2.50	550	3 1/2	3/4		<u>06259-70-12</u>		6.50
6	2.50	550	3 1/2	1		<u>06259-70-16</u>		6.50
6	3.00	700	3 1/4	1 15/16			<u>06300-70-31</u>	9.50
6	3.00	700	3 1/4	1	<u>06301-70-16</u>			9.50
6	3.00	700	3 1/4	1 1/4	<u>06301-70-20</u>			9.50
6	3.00	700	3 1/2	3/4		<u>06309-70-12</u>		9.50
6	3.00	700	3 1/2	1		<u>06309-70-16</u>		9.50
8	2.00	500	2 3/16	1 3/16			<u>08200-70-19</u>	7.00
8	2.00	500	2 3/16	3/4	<u>08201-70-12</u>			7.00
8	2.50	700	3 1/4	1 15/16			<u>08250-70-31</u>	9.50
8	2.50	700	3 1/4	1	<u>08251-70-16</u>			9.50
8	2.50	700	3 1/4	1 1/4	<u>08251-70-20</u>			9.50
8	2.50	700	3 1/2	3/4		<u>08259-70-12</u>		9.50
8	3.00	850	3 1/4	1 15/16			<u>08300-70-31</u>	12.50
8	3.00	850	3 1/4	1	<u>08301-70-16</u>			12.50
8	3.00	850	3 1/4	1 1/4	<u>08301-70-20</u>			12.50
8	3.00	850	3 1/2	3/4		<u>08309-70-12</u>		12.50
8	3.00	850	3 1/2	1		<u>08309-70-16</u>		12.50
8	3.00	850	3 1/2	1 1/4		<u>08309-70-20</u>		12.50
10	2.50	800	3 1/4	1 15/16			<u>10250-70-31</u>	13.00
10	2.50	800	3 1/4	1	<u>10251-70-16</u>			13.00
10	2.50	800	3 1/4	1 1/4	<u>10251-70-20</u>			13.00
10	2.50	800	3 1/2	3/4		<u>10259-70-12</u>		13.00
10	2.50	800	3 1/2	1		<u>10259-70-16</u>		13.00
10	3.00	1,000	3 1/4	1 15/16			<u>10300-70-31</u>	16.00
10	3.00	1,000	3 1/4	1	<u>10301-70-16</u>			16.00
10	3.00	1,000	3 1/4	1 1/4	<u>10301-70-20</u>			16.00
10	3.00	1,000	3 1/2	3/4		<u>10309-70-12</u>		16.00
10	3.00	1,000	3 1/2	1		<u>10309-70-16</u>		16.00
10	4.00	1,400	4 1/4	2 7/16			<u>10400-70-39</u>	33.00
10	4.00	1,400	4 1/4	1 1/4	<u>10401-70-20</u>			33.00
10	4.00	1,400	4 1/4	1 1/2	<u>10401-70-24</u>			33.00
10	4.00	1,400	4 1/2	1		<u>10409-70-16</u>		33.00
10	4.00	1,400	4 1/2	1 1/4		<u>10409-70-20</u>		33.00

MOLD ON RUBBER WHEELS 3,000 LBS



MOLD ON RUBBER WHEELS

WHEELS

WHEEL					PART NUMBER			
Dia.	Width	Capacity	Hub Length	Bore	Straight Roller	Precision Tapered	Less Bearing	Wt.
12	2.50	900	3 1/4	1 15/16			<u>12250-70-31</u>	15.50
12	2.50	900	3 1/4	1	<u>12251-70-16</u>			15.50
12	2.50	900	3 1/4	1 1/4	<u>12251-70-20</u>			15.50
12	2.50	900	3 1/2	3/4		<u>12259-70-12</u>		15.50
12	2.50	900	3 1/2	1		<u>12259-70-16</u>		15.50
12	3.00	1,125	3 1/4	1 15/16			<u>12300-70-31</u>	21.00
12	3.00	1,125	3 1/4	1	<u>12301-70-16</u>			21.00
12	3.00	1,125	3 1/4	1 1/4	<u>12301-70-20</u>			21.00
12	3.00	1,150	3 1/2	3/4		<u>12309-70-12</u>		21.00
12	3.00	1,150	3 1/2	1		<u>12309-70-16</u>		21.00
12	4.00	1,600	4 1/4	2 7/16			<u>12400-70-39</u>	30.00
12	4.00	1,600	4 1/4	1 1/4	<u>12401-70-20</u>			30.00
12	4.00	1,600	4 1/4	1 1/2	<u>12401-70-24</u>			30.00
12	4.00	1,600	4 1/2	1		<u>12409-70-16</u>		30.00
12	4.00	1,600	4 1/2	1 1/4		<u>12409-70-20</u>		30.00
16	4.00	1,450	4 1/4	2 7/16			<u>16400-70-39</u>	40.00
16	4.00	1,450	4 1/4	1 1/4	<u>16401-70-20</u>			40.00
16	4.00	1,450	4 1/4	1 1/2	<u>16401-70-24</u>			40.00
16	4.00	1,450	4 1/2	1		<u>16409-70-16</u>		40.00
16	4.00	1,450	4 1/2	1 1/4		<u>16409-70-20</u>		40.00
16	5.00	1,500	5 1/4	2 7/16			<u>16500-70-39</u>	72.00
16	5.00	1,500	5 1/4	1 1/4	<u>16501-70-20</u>			72.00
16	5.00	1,500	5 1/4	1 1/2	<u>16501-70-24</u>			72.00
16	5.00	1,500	5 1/2	1		<u>16509-70-16</u>		72.00
16	5.00	1,500	5 1/2	1 1/4		<u>16509-70-20</u>		72.00
18	5.00	2,800	5 1/4	2 7/16			<u>18500-70-39</u>	90.00
18	5.00	2,800	5 1/4	1 1/4	<u>18501-70-20</u>			90.00
18	5.00	2,800	5 1/4	1 1/2	<u>18501-70-24</u>			90.00
18	5.00	2,800	5 1/4	3 1/4			<u>18500-70-50</u>	90.00
18	5.00	2,800	5 1/4	2	<u>18501-70-32</u>			90.00
18	5.00	2,800	5 1/2	1		<u>18509-70-16</u>		90.00
18	5.00	2,800	5 1/2	1 1/4		<u>18509-70-20</u>		90.00
18	5.00	2,800	5 1/2	1 1/2		<u>18509-70-24</u>		90.00
20	5.00	3,000	5 1/4	2 7/16			<u>20500-70-39</u>	100.00
20	5.00	3,000	5 1/4	1 1/4	<u>20501-70-20</u>			100.00
20	5.00	3,000	5 1/4	1 1/2	<u>20501-70-24</u>			100.00
20	5.00	3,000	5 1/4	3 1/4			<u>20500-70-50</u>	100.00
20	5.00	3,000	5 1/4	2	<u>20501-70-32</u>			100.00
20	5.00	3,000	5 1/2	1		<u>20509-70-16</u>		100.00
20	5.00	3,000	5 1/2	1 1/4		<u>20509-70-20</u>		100.00
20	5.00	3,000	5 1/2	1 1/2		<u>20509-70-24</u>		100.00

PARTS & ACCESSORIES



REPLACEMENT AXLES

PART	O.D.	LENGTH	
AX085403	1/2	3-3/8	HOLLOW C/W L. NUT
AX085401	1/2	3-3/8	SOLID C/W LOCK NUT
AX127603	3/4	4-3/4	HOLLOW C/W L. NUT
AX127601	3/4	4-3/4	SOLID C/W LOCK NUT
AX168001	1	5	SOLID C/W LOCK NUT
AX168003	1	5	HOLLOW C/W L. NUT
AX169601	1	6	SOLID C/W LOCK NUT
AX169603	1	6	HOLLOW C/W L. NUT
AX208801	1-1/4	5-1/2	SOLID C/W LOCK NUT
AX201041	1-1/4	6-1-2	SOLID C/W LOCK NUT

TAPERED BEARINGS

PART	I.D.	O.D.
TB123102	3/4	1.93
TB122802	3/4	1.78
TB163202	1	1.98
TB163902	1	2.44
TB203702	1-1/4	2.32
TB203902	1-1/4	2.44
TB205002	1-1/4	3.12
TB245002	1-1/2	3.12

SPANNER BUSHINGS

PART	I.D.	O.D.	LENGTH
SB081239	1/2	3/4	2-7/16 WITH OIL HOLE
SB081248	1/2	3/4	3
SB081264	1/2	3/4	4
SB121656	3/4	1	3-1/2
SB121658	3/4	1	3-9/16 WITH OIL HOLE
SB121648	3/4	1	3
SB162057	1	1-1/4	3-9/16
SB162073	1	1-1/4	4-9/16
SB162089	1	1-1/4	5-9/16
SB202457	1-1/4	1-1/2	3-9/16
SB202473	1-1/4	1-1/2	4-9/16
SB202489	1-1/4	1-1/2	5-9/16

STRAIGHT BEARINGS

PART	I.D.	O.D.	LENGTH
RB121930	3/4	1-3/16	1-7/8
RB121940	3/4	1-3/16	2-1/2
RB163140	1	1-15/16	2-1/2
RB163148	1	1-15/16	3
RB203140	1-1/4	1-15/16	2-1/2
RB203148	1-1/4	1-15/16	3
RB203948	1-1/4	2-7/16	3
RB203964	1-1/4	2-7/16	4
RB203980	1-1/4	2-7/16	5
RB243948	1-1/2	2-7/16	3
RB243964	1-1/2	2-7/16	4
RB243980	1-1/2	2-7/16	5

AXLES: AX 20 152 02 (C)*

DIAMETER in 1/16" _____

LENGTH in 1/16"
(IF NEEDED 3 PLACES) _____

TYPE _____

- 00 SOLID
- 01 SOLID w/ LOCK NUT
- 02 HOLLOW
- 03 HOLLOW w/ LOCK NUT
- 04 DUAL END HOLLOW AXLE
- 06 SOLID w/ FLEXLOC
- 07 HOLLOW w/ FLEXLOC
- 08 SOLID w/ SLOTTED NUT
- 09 HOLLOW w/ SLOTTED NUT

**Axles Feature
Standard Fine
Thread**

- 08=1/2-20
- 12=3/4-16
- 16= 1-14
- 20=1-1/4-12

**Optional Coarse
Thread is available if
a "(C)" is noted**

- 08=1/2-13
- 12=3/4-10
- 16= 1-8
- 20=1-1/4-7



TERMS & CONDITIONS

WARRANTY

Caster Concepts, Inc. warrants its products to be free from defects in material or workmanship for the period of one year after the date of shipment from our factory. Warranty does not apply in cases of overloading, misapplication, abuse, normal wear and tear, damage in transit or in applications and operating conditions which we were not made aware of in advance. Caster Concept's liability shall be limited to the replacement cost of the caster or wheel. Caster Concepts will not assume liability for incidental damage from use of its products. This warranty is void if our products are modified by others. No other warranty expressed or implied is made.

RETURNS AND ADJUSTMENTS

All returned goods must be authorized in writing in advance of shipment. Goods are to be returned freight prepaid. All goods must be in new and unused condition, and be standard stocking items. A handling charge will be assessed depending on the cost of reconditioning and restocking the product.

Any claims for correction of product or adjustments must be filed with in five days of receipt of order. Custom built or modified products are not subject to return

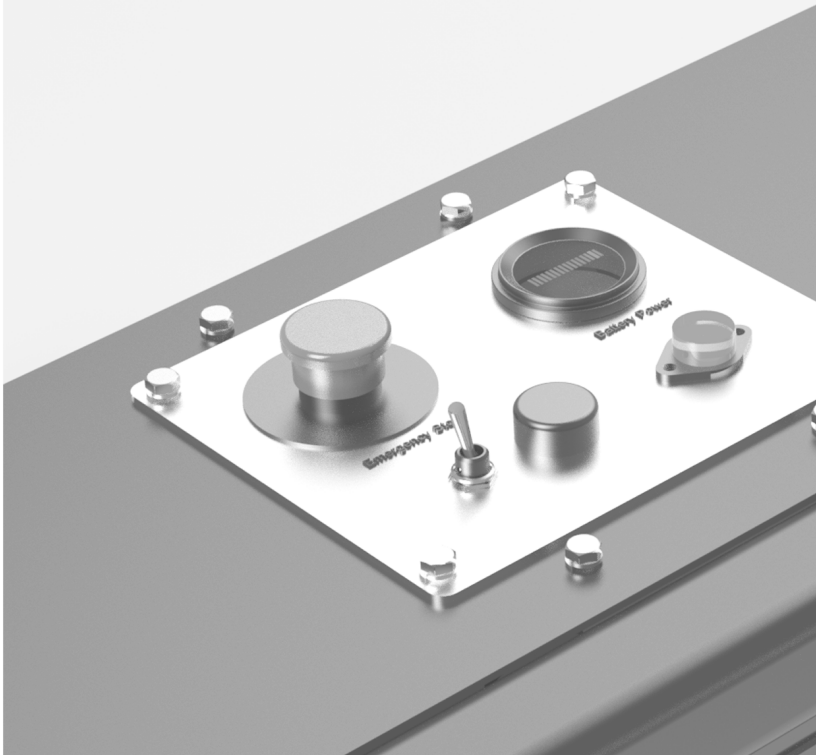
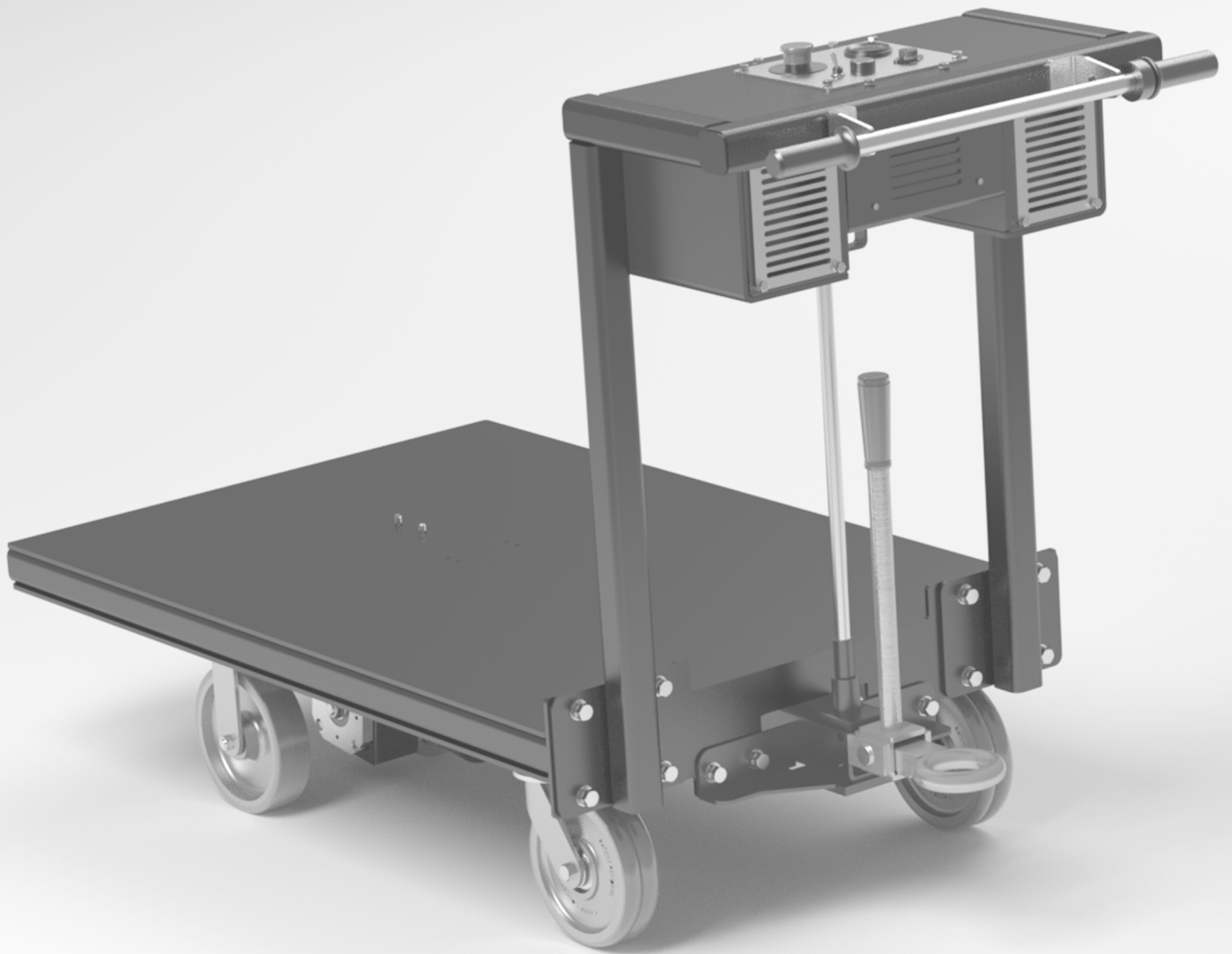
TERMS AND CONDITIONS

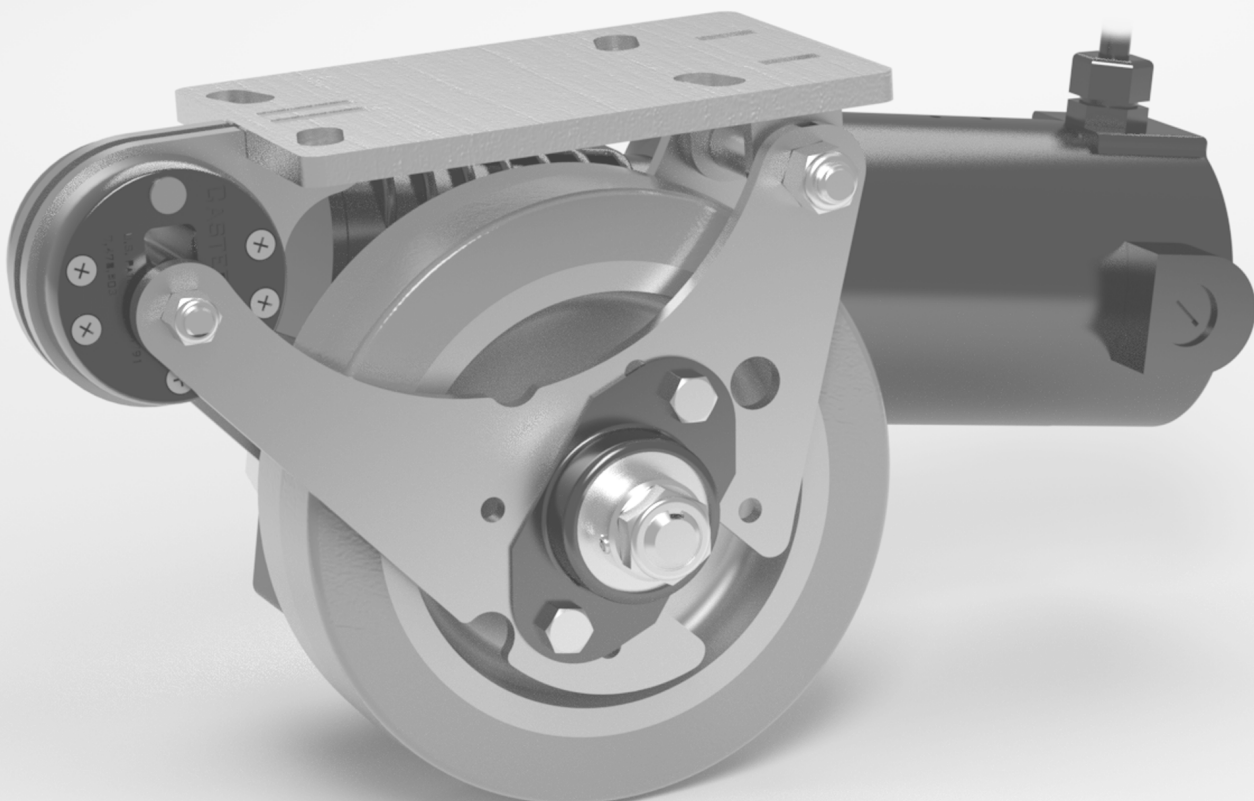
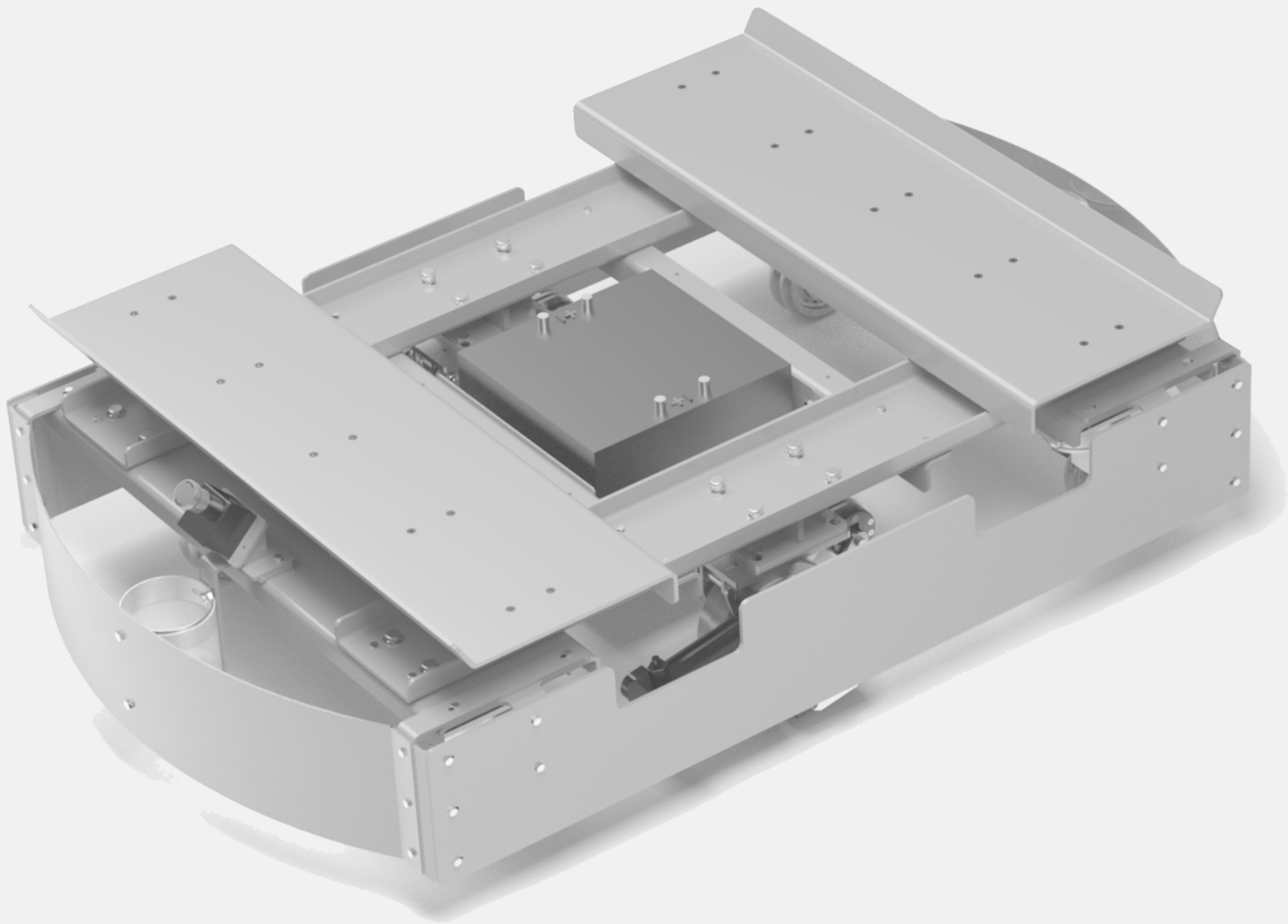
Special or custom manufactured products are not subject to cancellation or return once the work has been started on the order. Our terms are net 30 days to customers with approved credit. Freight is shipped F.O.B. shipping point.

PRODUCT CHANGES

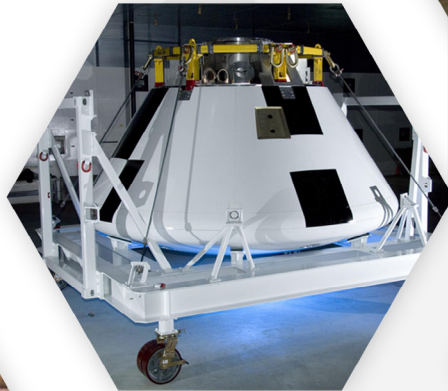
As Caster Concepts is constantly improving its products and methods of manufacturing, we reserve the right to modify and/or change our specifications of the products in this catalog without notice. However, we will attempt to keep our active distributors aware of any changes.







PRODUCTS DESIGNED AND BUILT TO YOUR EXACT SPECIFICATIONS



CASTER CONCEPTS

Beyond Standard.



CASTER CONCEPTS

Beyond Standard.

16000 E. Michigan Ave.
Albion, MI 49224

T: (517) 629-8838 F: (517) 629-0082 • www.CasterConcepts.com

(800) 704-1562 (800) 800-0036

VERSION: 15