



**C.P. LAUMAN COMPANY**

SUPPLIER OF PREMIUM CASTERS, WHEELS, HAND TRUCKS,  
CARGO CONTROL EQUIPMENT AND FASTENERS  
ESTABLISHED 1941



## **Casters, Wheels & Glides** *for industrial, commercial and institutional applications*



# casters, wheels & glides

for industrial, commercial  
and institutional applications

## TABLE OF CONTENTS

3 EASY METHODS TO FIND THE RIGHT CASTER .....	.1
HOW TO SELECT A BASSICK CASTER .....	.2
MOUNTING DIMENSION AND WHEEL SIZE CHART .....	.3
APPLICATION GUIDE .....	.4 & 5
SWIVEL BEARINGS CONSTRUCTION .....	.6 & 7
WHEELS AND WHEEL BEARING FEATURES .....	.8 & 9
NUMERICAL INDEX .....	.10 & 11
CASTER NUMBERING SYSTEM .....	.12
OFFICE FURNITURE CASTERS .....	.13-14
INSTITUTIONAL CASTERS for schools, hospitals, stores, restaurants, offices, laboratories .....	.15-23
ECONOMICAL INTERMITTENT-DUTY CASTERS for heavy weight, factory, warehouse, miscellaneous .....	.24-25
SINGLE PURPOSE PRODUCTS, Jack caster, Hand-L-Hold .....	.26
HONCHO MATERIAL HANDLING CASTERS .....	.27-33
HEAVY DUTY INDUSTRIAL CASTERS .....	.34-36
BRAKE CASTERS, SERIES B-ES .....	.37
HONCHO DEFENDER CASTERS .....	.38
NSF REQUIREMENT CASTERS .....	.39-40
TEXTILE CASTERS .....	.41
BUSINESS MACHINE CASTERS .....	.42-43
GLIDES for furniture and heavy equipment .....	.44
V-GROOVED WHEEL CASTERS .....	.46-47
POSITION FLOOR LOCKS & LEVELIZING JACKS .....	.48-49
WHEELS .....	.50-56
CLAMP-FASTENERS .....	.57-63
ROLLING EFFORT CHART .....	inside back cover

# HOW TO SELECT A *Bassick* CASTER

## FOR BEST PERFORMANCE, LONGEST LIFE AND MINIMUM COST



**"OSHA requirements may dictate a particular type of caster for use in a specific industry, market or application. Bassick does not make any recommendation herein as to which caster will satisfy specific OSHA requirements."**

The following suggestions are intended as a guide to help you select the Bassick product most suitable for a variety of commonly encountered applications.

### 1 Select the proper type and size wheel and type wheel bearing, taking the following into consideration:

- For maximum floor and load protection and quiet**—soft tread rubber wheels;  
**BACO** on smooth floors, hand pushed equipment  
**ALCORE** mold-on rubber wheels for all conditions of hard floors, hand pushed or conveyor towed  
\*The larger diameter and wider tread wheels spread the load for greater floor protection.
- Heavy loads**—2000 lbs or more. Metal wheels provide sufficient load capacity and ease of rolling, but at the expense of floor damage and noise.
- Heavy loads combined with floor protection**—listed in order of preference  
**Aluminum core polyurethane mold-on tread**—abrasion resistant polyurethane  
**CANAPHIN**—phenolic plastic reinforced with macerated canvas  
**ATLASITE**—Hard rubber tread  
**BRAVO**—polypropylene, tough non-marking
- For easy rolling**—Hard tread wheels; wheels with roller bearings and larger diameter wheels.

### 2 Choose the caster swivel construction designed for the type of service expected at extreme conditions;

- For "institutional" service:** hospitals, schools, hotels, stores, offices or similar areas where floors are good and operating conditions smooth;  
**DIAMOND ARROW**—double level, hardened, ball bearing swivel, pages 15-23
- For "dolly" service:** intermittent use, short travel, in factory, warehouse or where economy is required—single level ball bearing swivel, pages 24, 25
- For extreme weight and abuse:** industrial and material handling use in factory or warehouse where heavy weights and rough operating surfaces are common;  
**HONCHO**—double ball bearing, pages 27-35  
**HA SERIES**—precision unit bearings, page 36

### 3 Consider special features you may require in certain applications:

- In **textile plants** or other areas where string and thread are a problem, select casters having thread guards on the wheel. Casters—pages 20, 21, 41
- In areas of **dirt** and **spray** that can damage caster swivels and wheel bearings;  
**HONCHO**—sealed industrial casters, pages 29, 30, 31, 35
- In areas of **extreme corrosion** use **HONCHO DEFENDER**—corrosion resist system casters found on page 38.
- On heavy office machines and wherever **low caster height and high load capacity** are required; select casters with wide, small diameter wheels, pages 42 & 43
- Where it is necessary to hold castered trucks in one place, Bassick offers casters with **wheel brakes**, pages 30 & 37, and **position floor locks** pages 48 & 49

### 4 Determine allowed caster height, swivel radius, mounting method—stem size or bolt hole spacing, allow sufficient load capacity for overload and abuse conditions.

#### RULES OF THUMB

- For short distance travel in confined area, a 3" or 4" caster is satisfactory
- Long distance, hand pushed material handling requires at least a 5" caster, a 6" caster for greater mobility.
- On conveyor towed trucks in warehouse or factory, use 6", 8", or 10".
- In all selections allow for overload conditions, unevenly distributed loads, and obstacles such as thresholds that create impact conditions.
- For extra-heavy impact and abuse conditions select casters with greater load capacity.
- Soft tread wheels roll over bumps as easy as the next larger size hard wheels.

# **Bassick** MOUNTING DIMENSION AND WHEEL SIZE CHART

- Measure wheel diameter (allow for wear).
- Measure bolt hole spacing (or stem size).
- Read page numbers in catalog for casters with those dimensions, higher page numbers = greater load capacity

BOLT HOLE SPACING	WHEEL DIAMETER								
	2"	2½"	3"	3½"	4"	5"	6"	8"	10"
1 <sup>3</sup> / <sub>16</sub> " × 1 <sup>9</sup> / <sub>16</sub> "	13,14,19	13,14,19	19						
3 <sup>1</sup> / <sub>32</sub> " × 1 <sup>7</sup> / <sub>8</sub> "	25								
3 <sup>1</sup> / <sub>32</sub> " × 2 <sup>1</sup> / <sub>8</sub> "	24								
1 <sup>1</sup> / <sub>16</sub> " × 3 <sup>15</sup> / <sub>32</sub> "		25							
1 <sup>3</sup> / <sub>16</sub> " × 4"			25,39						
1 <sup>3</sup> / <sub>4</sub> " × 2 <sup>7</sup> / <sub>8</sub> " slotted to 1 <sup>3</sup> / <sub>4</sub> " × 3"	24,42	20,24,42	19,20	22	19,20,22	19,22			
2" × 5"					25,47				
2 <sup>3</sup> / <sub>8</sub> " × 3 <sup>3</sup> / <sub>8</sub> "			42						
2 <sup>3</sup> / <sub>8</sub> " × 3 <sup>3</sup> / <sub>8</sub> " slotted to 2 <sup>3</sup> / <sub>8</sub> " × 3 <sup>7</sup> / <sub>16</sub> "			24,39						
2 <sup>3</sup> / <sub>8</sub> " × 3 <sup>7</sup> / <sub>16</sub> "				21	21	21			
2 <sup>7</sup> / <sub>16</sub> " × 4 <sup>15</sup> / <sub>16</sub> " slotted to 3 <sup>3</sup> / <sub>8</sub> " × 5 <sup>1</sup> / <sub>4</sub> "						35	35,47	35	35
2 <sup>5</sup> / <sub>8</sub> " × 3 <sup>5</sup> / <sub>8</sub> " slotted to 3" × 3"			27		23,27 41,47	29,30,31 38,40,41	29,30,31 38,40,41	29,30,31 38,40,41	
3" × 4"					24,47				
3 <sup>3</sup> / <sub>8</sub> " × 5 <sup>1</sup> / <sub>4</sub> "						36	36,47	36,47	
4 <sup>1</sup> / <sub>8</sub> " × 4 <sup>1</sup> / <sub>2</sub> "						33,37 40	33,37 40,47	33,37 40	

## STEMS

Grip Neck	13,14	13,14							
Plain Round 7/16"D	13,14	13,14	15						
Grip Ring 3/8"D	13,14	13,14							
Grip Ring 7/16"D × 1 <sup>3</sup> / <sub>8</sub> "	13,14 16,43	13,14, 16	16		16	16			
Grip Ring 7/16"D × 1 <sup>29</sup> / <sub>32</sub> "			17		17	17			
Threaded	18,43	18,43	18,43		18	18			
Rubber Expanding Stem					39	39			

## Application Guide

- Using the tables listed, locate the application which most closely matches your needs. Then turn to the page(s) indicated for detailed information.
- Higher page #'s indicate greater load capacities.
- Quick reference lists load capacities for various models.

BAKERIES	Page Nos.
Bread racks	18, 19, 21, 22, 24, 29
Delivery containers	21, 22, 24, 29
Moveable kitchen equipment	21, 22, 24, 29, 39, 40
Dough troughs	35
Ingredient bins	22, 29

FOOD PROCESSING PLANTS	Page Nos.
Mixers	23, 29, 30, 38
Refuse containers	23, 29, 38
Trucks	23, 29, 33, 35, 38, 40
Vats	38
Holding tanks (seafood)	38
Portable packaging equipment	22, 29, 30, 38, 39

FACTORIES/MANUFACTURING	Page Nos.
<b>MATERIAL HANDLING</b>	
Platform trucks	29, 30, 31, 33, 35, 36
Special rack trucks	29, 30, 31, 33, 36
Dollies	24, 29
<b>PLANT ENGINEERING</b>	
Die & fixture trucks	24, 27, 35, 36
Assembly line dollies	27, 33, 35, 36, 47
Machinery moving dollies	27, 33, 35, 36, 47
Gantries	33, 35, 36
<b>MAINTENANCE</b>	
Maintenance trucks	21, 22, 24, 29, 30, 31, 33
Tool chests	22, 27
Scaffolds	45
Trash container trucks	23, 24, 29, 35, 36
Mop buckets	16, 18
<b>WAREHOUSE SHIPPING &amp; RECEIVING</b>	
Stock picker cart	21, 22, 29, 30, 31
Platform trucks	29, 30, 31, 35, 36
Tow line trucks	29, 30, 31, 33, 35, 36

GARAGES/AUTO SERVICE	Page Nos.
Jacks	21, 22, 26
Tool stands & chests	15, 19, 21, 22, 24
Display stands	15, 16, 19, 21, 22, 24
Tire racks	17, 22, 24
Testing equipment	22

HOSPITALS/NURSING HOMES	Page Nos.
Beds	17
Bedside tables	14, 15, 19
IV stands	13, 14, 15
Food service carts	19, 20, 22, 38, 39
Housekeeping carts	20, 21, 22, 23
Supply carts	22, 29
Laboratory equipment	38, 39
Maintenance carts	15, 19, 21, 22, 24
Trash containers	21, 22, 23, 24, 29
Linen carts	22, 24, 29

<b>HOTELS/MOTELS</b>	<b>Page Nos.</b>
Housekeeping carts	20, 21, <b>22</b> , 23
Maintenance carts	15, 19, 21, <b>22</b> , 24
Meeting room chairs	13, 14, 44
Room service carts	15, 16, 19, 22

<b>LABORATORIES</b>	<b>Page Nos.</b>
Animal cages	22, 38
Instrument stands	15, 16, 18, 21, 22
Testing equipment	17, 18, 21, 22, 38

<b>LAUNDRIES/DRY CLEANERS</b>	<b>Page Nos.</b>
Hampers	19, 21, 22, <b>24</b> , 29
Garment racks	15, <b>18</b> , 21, 22
Shelf trucks	21, 22, 24, 29
Processing carts	29, <b>35</b> , <b>38</b>

<b>OFFICE</b>	<b>Page Nos.</b>
Swivel chairs	<b>13</b> , 14
Side chair	16, 44
Executive furniture	13, 14
Mail carts	19, 20, 21, 22
File tubs	<b>16</b> , 19, 20, 24
Business machines	<b>42</b> , <b>43</b> , 44
Maintenance carts	19, 21, 22
Trash containers	18, 19, 20, 24, 29

<b>RESTAURANTS/ COMMERCIAL KITCHENS</b>	<b>Page Nos.</b>
Dining area chairs	13, 14, 44
Dining area tables	44
Food & dish carts	16, 17, 19, 39
Serving tables	16, 19, 20, 22, 39
Moveable kitchen equipment	15, 19, 21, 38, 39
Portable bar units	21, 22, 39
Trash containers	23, 24, 29

<b>SCHOOLS/LIBRARIES</b>	<b>Page Nos.</b>
Book carts	<b>19</b> , 20, 21, 22
Schoolroom furniture	15, 16, 19, 44
Visual aid equipment	16-22
Maintenance carts	19, 21, 22
Chair trucks	19, 21, 22, <b>23</b> , 29
Display racks	16-22
Trash containers	21, 22, 23, 24, 29
Lab equipment	19

<b>STORES/SUPERMARKETS</b>	<b>Page Nos.</b>
Stock trucks	21, 22, 24, 29, 35
Display racks, stands, bins	<b>18</b> , 21, 22, 24, 29
Garment racks	<b>15</b> , <b>18</b> , 20, 21, 22
Furniture dollies	<b>20</b> , <b>24</b>
Trash containers (in store)	19, 21, 22, 24, 29
Produce carts	22

<b>TEXTILE PLANTS</b>	<b>Page Nos.</b>
Roving cans	20, 41
Material carriers	29, 35, 41
Dye processing carts	35, 41

## QUICK REFERENCE CHART

<b>Application</b>	<b>Load Range Lbs. ea.</b>	<b>Caster Series</b>	<b>Wheel Diameters</b>	<b>Catalog Pages</b>
Office furniture	50-100	OPUS, 69	2-2½	13-14
Light duty carts	65-210	67, 68, 69, 70	2½-5	16-20
Light duty trucks	140-425	68.08, MS, MT	3½-5	21-23
Dolly casters	100-350	61, 38	2-4	24, 25
Medium industrial carts & racks	125-1200	XX, AS, ES	3-8	27-33
Heavy duty	1650	OS, HS	5-10	35
Super heavy duty	1500-3000	HA, HB	5-8	36
Heavy duty low height	125-500	S399 9009, S368	2-3	42, 43
NSF listed	150-900	61, KS, 68, ES, AS	3-8	38-40
Corrosion resist	650-900	KS, KR	5-8	38
Floor locks	n/a	F, A	n/a	48-49
Textile	210-900	68, AS	3-5	20, 21, 41
Wheels	65-3000	WD, WR, WS, WP	1¾-10	50-56

The right Bassick Caster for any specific application depends on the kind of equipment you're planning to use the caster on, where the equipment will be used, and what particular job you'll use it for.

To make this guide as easy to use as possible, it has been greatly simplified. (For example, every plant normally has office furniture and platform trucks, but we have largely confined the specific application listings to items peculiar to the various headings.) While you may not find an entry that describes your application exactly, you should be able to find one similar enough so the casters employed would be the same.

## SWIVEL BEARING TYPES

Swivel bearings must support weight applied to the caster and provide the desired mobility and ease of swiveling, and performance life. They must be able to withstand abuse and shock loads, and special conditions of temperature, dirt and contaminants.

### HEAVY DUTY—DOUBLE BALL BEARING—SWIVEL CONSTRUCTION

All new welded construction for high loads and resistance to shock and abuse. Recommended for material handling applications carrying heavy loads and conditions of impact.

The main load on the caster is carried by large hardened steel balls rolling in the large diameter upper raceway in the formed and hardened heavy steel top plate and heavy gauge hardened steel-ball cup.

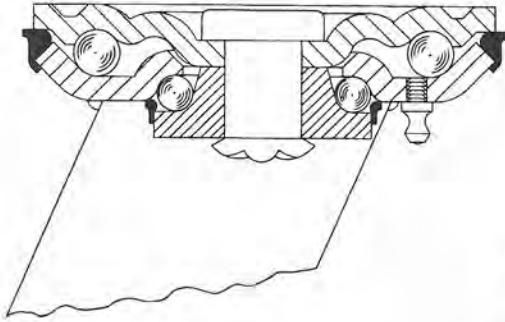
The component thrust load is carried by hardened steel balls rolling in the large diameter lower raceway between the ball cup and the hardened bearing cone.

Heavy duty king pin formed square under the head to lock in the square hole in the top plate to prevent turning and resultant problems.

Swivel Bearing supplied standard with snug oil resistant rubber seals to retain lubricant and exclude contaminants, a major cause of caster failure.

Heavy gauge caster legs specially formed to wrap around under the ball cup giving added support at this critical area.

Easily accessible but protected Alemite fitting under swivel bearing for lubrication.



### HONCHO DOUBLE BALL BEARING—SWIVEL CONSTRUCTION

All new welded construction for strength and clean contemporary design. Recommended for material handling applications carrying heavy loads requiring easy action and long dependable performance life.

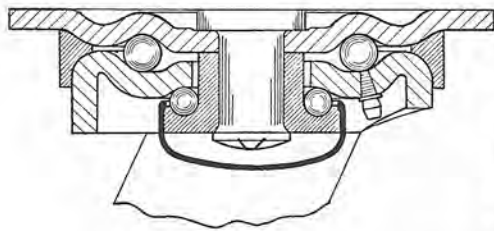
The main load on the caster is carried by large hardened steel balls rolling on the upper raceway formed by the hardened steel top plate and the hardened deep drawn ball cup. Component thrust load is carried by the hardened steel balls rolling in the raceway between the ball cup and the machined and hardened bearing cone.

All bearing raceways are formed for line contact with the balls to prevent peening and galling for long life and smooth swivel action.

Caster legs are machine welded to edge of deep drawn, ball cup for strength.

Swivel bearing is supplied standard with seals to retain lubricant and exclude dirt, water and contaminants.

The easily accessible but protected Alemite fitting under the swivel bearing allows lubrication without hazard of damage to the swivel seal.



### DOUBLE BALL BEARING—SWIVEL CONSTRUCTION

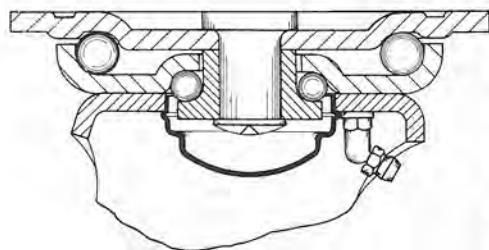
Casters for material handling and industrial application carrying heavy loads requiring easy swiveling and long, dependable life operating under conditions of shock and abuse use this rugged swivel bearing construction.

The main load on the caster is carried by large diameter hardened steel balls rolling in the upper raceway formed by the hardened steel top plate and hardened steel ball cup. The raceway is as large as the top plate will accommodate.

The component thrust load is carried by the hardened steel balls rolling in the lower raceway between the ball cup and the machined and hardened bearing cone.

All bearing raceways are formed for line contact with the balls to prevent peening and galling from shock and overload to provide long life, smooth swivel action.

The easily accessible but protected Alemite fitting located under the swivel bearing for lubrication.



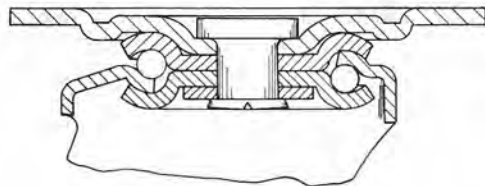
## DIAMOND ARROW DOUBLE LEVEL, HARDENED FULL BALL BEARING SWIVEL CONSTRUCTION.

The Diamond Arrow swivel construction, originated by Bassick, has found wide acceptance in institutional service, offices, schools, hospitals, stores, restaurants, hotels and motels and wherever quick, easy performance and maintenance free long life are required.

In this construction one set of hardened steel balls rolls effortlessly in two, hardened, bearing races supporting the main load on the upper raceway and the king pin load on the lower raceway. The balls change races at the unloaded neutral areas on the sides.

Lower overall height of the caster results from having only one bearing race between the wheel and the top plate which gives a more compact design and greater strength. Also greater strength for heavy applications such as business machines results from having the lower raceway diameter as large as the upper, main load race.

Curved and hardened raceways provide line contact with the hardened balls to prevent peening and galling.

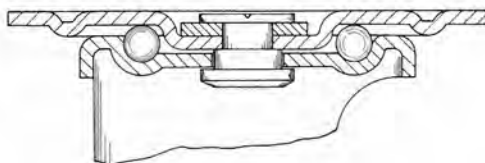


## SINGLE LEVEL BALL BEARING—SWIVEL CONSTRUCTION

Casters with this swivel construction are recommended for carrying heavy loads where only occasional, short range mobility is required and economy is necessary.

Bassick has achieved a husky, strong, yet economical swivel caster by using one set of hardened balls rolling in a large diameter raceway and supporting the offset load on the king pin shoulder.

A high load capacity results from a short caster offset and using a short, husky king pin which securely rivets the caster together.



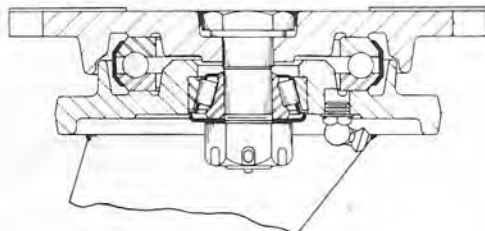
## PRECISION UNIT BEARING—SWIVEL CONSTRUCTION

Used on the heaviest load carrying casters in the Bassick line, these swivel bearings provide extra heavy load capacity and dependable life.

A large replaceable unit ball bearing supports the main load on the caster and the component thrust load is borne by the tapered roller bearing.

The top plate of the caster is heavy section forged steel and the horns are forged steel (Series HA).

The easily accessible but protected Alemite fitting is located under the swivel bearing for lubrication.





# BASSICK CASTER WHEEL TYPES

The wheel is one of the most important elements of a caster directly affecting the load capacity, ease of rolling and swiveling, floor and load protection and noise. The choice of wheel and size are also determined by special conditions of temperature, chemical problems and unusually rough operating surfaces.



## BACO SOFT RUBBER TREAD

Top quality soft rubber molded to hard rubber core provides maximum floor and load protection and quiet operation. Recommended for hand pushed operation on hard floors.



## POLYURETHANE TREAD

Tough, abrasion resistant, resilient polyurethane interlocked to a heavy section die cast aluminum core provides high load capacity, quiet, easy rolling, floor protection and tread retention in abusive conditions. Recommended for hand pushed and conveyor towed operation on hard floors or carpet.



## ALCORE RUBBER TREAD

Soft rubber tread bonded to aluminum core. Soft rubber tread provides maximum floor and load protection and quiet operation with impact strength. Recommended for hand pushed or conveyor towed application on hard floors. Supplied standard with sealed roller wheel bearing. Indicated in caster catalog numbers by "3R-7" as in 6ES3R-7.



## BRAVOTHANE WHEEL

Resilient polyurethane tread interlocked to strong polypropylene core. Clean, non-marking wheel operates on both hard floors and carpet. Excellent for use in sanitary conditions and corrosive areas.



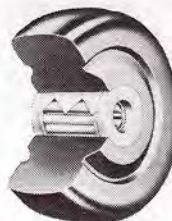
## CANAPHIN WHEEL

Phenolic resin plastic reinforced with new low water absorption macerated canvas. High load capacity, impact strength, floor protection with easy and quiet rolling. Resistant to many chemicals, acids, solvents, and water solutions. Operating temperatures from  $-40^{\circ}\text{F}$  to  $+300^{\circ}\text{F}$ . Clean, non-marking wheel for use on hard, smooth floors and carpet.



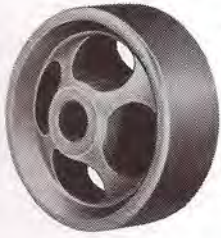
## BRAVO POLYPROPYLENE WHEEL

Tough, non-marking wheels with a high load capacity. Combines easy, quiet running with superior floor and carpet protection. Impervious to water, acid and most chemicals. Have an operating range from  $-20^{\circ}\text{F}$  to  $180^{\circ}\text{F}$ .



## ATLASITE WHEEL

Specially compounded hard rubber wheel combines high load capacity and easy rolling with good floor protection. It is non marking and resistant to water. Recommended for hand pushed operation on hard floors and carpet.



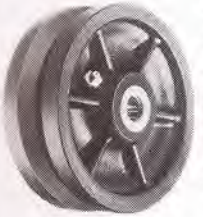
### **BIRON WHEEL**

Compacted and sintered round and smooth tread, it has the strength of an iron wheel. It has high load capacity and is easy rolling. Recommended for rough and chip littered floors. 2", 2½" & 3" diameters.



### **SEMI STEEL WHEEL**

Cast iron enriched with steel for high load capacity, easy rolling and resistance to rough and chip littered floors. 4" diameter and larger. Available flat tread or V-grooved.



### **MALLEABLE IRON WHEEL**

Heavy section, specially heat treated, high tensile malleable iron provides high load capacity and impact resistance. Recommended for very heavy loads moving on hard floors. Available V-grooved.



### **FORGED STEEL WHEEL**

High load capacity and great fatigue strength. For use on rough hard floors and very abusive conditions.

## **WHEEL BEARINGS**

### **Plain**

By impregnating powdered iron wheels with graphite, the wheel material serves as its own bearing for long life. Similarly, the semi-steel wheel serves as its own bearing.

### **Self-Lubricating**

Long lasting, rust resisting bearing with a high bronze content or easy rolling, quiet plastic bearing.

### **Roller**

Hardened roller rolling on hardened steel spanner provides easier movement. Bearing roller cage retained by thick end washers which support end wear. All casters with roller bearing wheels have Alemite fittings either in the wheel or axle.

### **Sealed Roller**

Same as roller bearing except equipped with seals in the end washers to retain lubricant and exclude contaminants. Especially recommended where lubrication will be irregular and where there is a high incidence of dirt, water, and other contaminants.

### **The Spanner**

A steel tube clamped rigidly between the caster legs. It serves as a spacer to prevent binding the wheel when tightening the axle, a large bearing race on which the wheel bearing rolls, and it gives added strength to the caster by rigidly locking the caster legs. Supplied standard with all above wheel bearings for all wheels with a tread width 1½" or greater.

### **Tapered Roller**

Provided in Bassick super heavy duty casters with load capacities up to 3,000 pounds. They are easy rolling and long lasting. For continuous running applications, forged steel wheels with these bearings are recommended.

# NUMERICAL INDEX

ITEM	PAGE NO.	ITEM	PAGE NO.	ITEM	PAGE NO.	ITEM	PAGE NO.
EZ 7/8" Kit	39	BNS 5AS8PT	40	6AS8PT	29	B 8AS3P-7	30
EZ 1 1/8" Kit	39	NS 5AS8PT	40	BNS 6AS8PT	40	B 8AS3P-7X348	45
EZ 1 1/2" Kit	39	5AS9-2	30	NS 6AS8PT	40	8AS3R-7	29
3 RP	13	5ER1-2	33	6AS9-2	29	8AS3R-7SL4	31
3XX1-2	27	5ER3P-7	33	6ER1-2	33	B 8AS3R-7	30
3XX6-2	27	NS 5ER3P-7	40	6ER1-2CW	47	8AS8-7	29
3XX8-2	27	5ER3R-7	33	6ER3P-7	33	8AS8-7SL4	31
3XX9-2	27	5ER8-7	33	NS 6ER3P-7	40	8AS8-7-1	41
3YY1-2	27	5ER9-2	33	6ER3R-7	33	B 8AS8-7	30
3YY6-2	27	5ES1-2	33	6ER8-7	33	8AS8M-7	29
3YY8-2	27	5ES3P-7	33	6ER9-2	33	B 8AS8M-7	30
3YY9-2	27	NS 5ES3P-7	40	6ES1-2	33	8AS8P-7	29
4MS6	23	5ES3R-7	33	6ES1-2CW	47	8AS8P-7SL4	31
SB 4MS6	23	5ES8-7	33	6ES3P-7	33	B 8AS8P-7	30
4MS9	23	5ES9-2	33	B 6ES3P-7X329	37	8AS8PT	29
4MS9-2	23	5HA1-2	36	NS 6ES3P-7	40	BNS 8AS8PT	40
SB 4MS9	23	5HB1-2	36	6ES3R-7	33	NS 8AS8PT	40
SB 4MS9-2	23	5KR8MT BLU	38	6ES8-7	33	8ER1-2	33
4MT6	23	5KR8PT BLU	38	B 6ES8-7X329	37	8ER3P-7	33
4MT9	23	5KR8T BLU	38	6ES9-2	33	NS 8ER3P-7	40
4MT9-2	23	5KS8MT BLU	38	6HA1-2	36	8ER3R-7	33
4XX1-2	27	5KS8PT BLU	38	6HA2-2	36	8ER8-7	33
4XX1-2CW	47	5KS8T BLU	38	6HA2-2T	36	8ER9-2	33
4XX6-2	27	5OR1-7	35	6HB1-2	36	8ES1-2	33
4XX8-2	27	5OR3P-7	35	6HB2-2	36	8ES3P-7	33
4XX9-2	27	5OR3R-7	35	6HB2-2T	36	B 8ES3P-7X329	37
4YY1-2	27	5OR8-7	35	6HR1-7	35	NS 8ES3P-7	40
4YY1-2CW	47	5OS1-7	35	6HR3P-7	35	8ES3R-7	33
4YY6-2	27	5OS3P-7	35	6HR3R-7	35	8ES8-7	33
4YY8-2	27	5OS3R-7	35	6HR8-7	35	B 8ES8-7X329	37
4YY9-2	27	5OS8-7	35	6HS1-7	35	8ES9-2	33
5AR1-2	29	6AR1-2	29	6HS3P-7	35	8HA1-2	36
5AR3P-7	29	6AR3P-7	29	6HS3R-7	35	8HA2-2	36
5AR3P-7-1	41	6AR3P-7-1	41	6HS8-7	35	8HB1-2	36
5AR3R-7	29	6AR3R-7	29	6KR8MT BLU	38	8HB2-2	36
5AR6-2	29	6AR6-2	29	6KR8PT BLU	38	8HR1-7	35
5AR8-7	29	6AR8-7	29	6KR8T BLU	38	8HR3P-7	35
5AR8-7-1	41	6AR8-7-7	41	6KS8MT BLU	38	8HR3R-7	35
5AR8M	29	6AR8M	29	6KS8PT BLU	38	8HR8-7	35
5AR8M-7	29	6AR8M-7	29	6KS8T BLU	38	8HS1-7	35
5AR8P-7	29	6AR8M-7	29	6OR1-7	35	8HS3P-7	35
5AR8PT	29	6ARP8P-7	29	6OR1-2CW	47	8HS3R-7	35
NS 5AR8PT	40	6ARP8PT	29	6OR3P-7	35	8HS8-7	35
5AR9-2	29	NS 6ARP8PT	40	6OR3R-7	35	8KR8MT BLU	38
5AS1-2	29	6AR9-2	29	6OR8-7	35	8KR8PT BLU	38
5AS3P-7	29	6AS1-2	29	6OS1-7	35	8KR8T BLU	38
5AS3P-7SL4	31	6AS3P-7	29	6OS1-2CW	47	8KS8MT BLU	38
5AS3P-7-1	41	6AS3P-7SL4	31	6OS3P-7	35	8KS8PT BLU	38
B 5AS3P-7	30	6AS3P-7-1	41	6OS3R-7	35	8KS8T BLU	38
5AS3R-7	29	B 6AS3P-7	30	6OS8-7	35	8OR1-7	35
5AS3R-7SL4	31	6AS3R-7	29	8AR1-2	29	8OR3P-7	35
B 5AS3R-7	30	6AS3R-7SL4	31	8AR3P-7	29	8OR3R-7	35
5AS6-2	29	B 6AS3R-7	30	8AR3P-7-1	41	8OR8-7	35
B 5AS6-2	30	6AS6-2	29	8AR8-7	29	8OS1-7	35
5AS8-7	29	B 6AS6-2	30	8AR8-7-1	41	8OS3P-7	35
5AS8-7SL4	31	6AS8-7	29	8AR8M-7	29	8OS8-7	35
5AS8-7-1	41	6AS8-7SL4	31	8AR8P-7	29	10HR1-7	35
B 5AS8-7	30	6AS8-7-1	41	8AR8PT	29	10HR3P-7	35
5AS8M	29	B 6AS8-7	30	NS 8AR8PT	40	10HR3R-7	35
5AS8M-7	29	6AS8M	29	8AS1-2	29	10HR8-7	35
B 5AS8M-7	30	6AS8M-7	29	8AS3P-7	29	10HS1-7	35
5AS8P-7	29	B 6AS8M-7	30	8AS3P-7SL4	31	10HS3P-7	35
B 5AS8P-7	30	6AS8P-7	29	8AS3P-7-1	41	10HS3R-7	35
5AS8PT	29	B 6AS8P-7	30			10HS8-7	35
						10 RP	16
						11 RP	16
						25 RP	13
						32 RP	16
						34 RP	16
						51D9X622	
						DEC GA	14
						B 55ES3P-7X329	37
						B 55ES8-7X329	37
						61P9X622	
						DEC AA	14
						66 RP	16
						CG 90N	44
						CGN 90	44
						CG 91N	44
						CGN 92	44
						NL 160XTS	
						3/8X1-1/2 RP	44
						L 165XTS	
						5/16X1-1/2 RP	44
						L 180XTS	
						3/8X1-1/2 RP	44
						LR 160XTS	
						3/8-16X1-1/2 RP	44
						NL 185XTS	
						1/4-20X1-1/2 RP	44
						L 185XTS	
						5/16-18X1-1/2 RP	44
						NL 185XTS	
						5/16-18X1-1/2 RP	44
						F 410	48
						F 430	48
						M 515-60	26
						M 515-240	26
						F 550	48
						F 600	48
						F 620	49
						A 622	49
						A 625	49
						A 627	49
						F 800	48
						F 802	48
						WP 1103	54
						WP 1104	54
						WR 1203	54
						WR 1204	54
						WR 1258	54
						WR 1265	54
						1540 RP	13, 15
						1542 RP	13, 15
						1543 RP	13, 15
						WR 1566	54
						WR 1566T	54
						WR 1568	54
						2086-1	20
						2089-1	20
						2381	25
						2386	25
						2388M	25
						2389	25
						2611	24
						2616	24
						2618M	24
						2619	24

# NUMERICAL INDEX

ITEM	PAGE NO.	ITEM	PAGE NO.	ITEM	PAGE NO.	ITEM	PAGE NO.	ITEM	PAGE NO.
H 2681X187	26	M 4686-1	22	WP 8103M	53	9696G OC	13	14666 RP	20
2686-1	20	M 4686-2-1	22	WP 8114M	53	9696GX2 N	13	14676 RP	20
2689-1	20	SB 4686	21	WP 8115M	53	9696GX3 N	13		
3086-1	20	SBM 4686	22	WP 8124T	52	9696GX691 N	13	14696X2 RP	16
3086-2-1	20	M 4688M	22	WP 8125M	53	9698M OC	13	SB 14696X2 RP	16
S 3088-2	42	SBM 4688M	22	WD 8125T	52	9698MX2 N	13	14696X5 RP	17
3089-1	20	NS 4688P X973	39	WP 8125T	52	9698MX3 N	13	SB 14696X5 RP	17
3089-2-1	20	SBNS 4688P X973	39	WP 8126M	53	9698MX691 N	13		
3381	25	SBM 4689	22	WP 8126T	52	9706 RP	19	14696XTS	
3381-2	25	4689-1	21	WP 8126M	53	SB 9706 RP	19	7/16X1-1/2 RP	18
3386	25	4689-2-1	21	WP 8128T	52	9706G OC	13	14696XTS	
3386-2	25	M 4689-1	22	WR 8204	52	9708M OC	13	1/2X1-1/2 RP	18
3388M	25	M 4689-2-1	22	WS 8205	52	WR 10154	55	14706 RP	19
3389	25	SB 4689	21	WS 8206	52	WR 10206	55	SB 14706 RP	19
NS 3389	39	SBM 4689-2	22	WS 8225M	53	10696X2 RP	16	14709G RP	19
3389-2	25	H 4989-2-1	41	WS 8225T	52	10696XTS		SB 14709G RP	19
3611	24	H 4999-2-1	41	WS 8226M	53	3/8X1-1/2 RP	18	14716 RP	19
3611-2	24	5086-1	21	WS 8226T	52	10698MX2 N	13	14719G RP	19
3616	24	M 5086-1	22	WS 8228M	53	10698MX3 N	13		
3616-2	24	M 5086-2-1	22	WS 8228T	52	10698MX691 N	13	15696X2 RP	16
3618M	24	M 5088M	22	WS 8248	52	10706 RP	19	SB 15696X2 RP	16
3619	24	M 5088P	22	WS 8253	52	SB 10706 RP	19	15696X5 RP	17
NS 3619	39	M 5089-1	21	WS 8258	52	10708M OC	13	TB 15696X5 RP	17
3619-2	24	M 5089-2-1	22	WD 8325	52	WR 11256	55	15696XTS	
3686XTS		M 5686-1	22	WD 8325M	53	WR 11258	55	7/16X1-1/2 RP	18
1/2X1-1/2	18	M 5686-2-1	22	WD 8326	52	WS 12205	54	15706 RP	19
3686-1	20	SB 5686	21	WD 8326M	53	WS 12206	54	SB 15706 RP	19
3686-2-1	20	SBM 5686-2	22	WD 8328M	53	WS 12208	54	15709 RP	19
SB 3686	20	M 5688M	22	S 8981-2C	47	WS 12250	54	SB 15709 RP	19
S 3688-2	42	SB 5686	21	S 8988-2	36	WS 12256	54		
WBS 3688-2	42	SBM 5686-2	22	S 8991-2CW	47	WS 12258	54	15716 RP	19
3688M-1	20	M 5688M	22	S 8998-2	36	3676X5 N	17	15719 RP	19
3688MXTS		SBM 5688M	22	9006 RP	20, 42	TB 13676X5 N	17		
1/2X1-1/2	18	M 5688P	22	9006X2 RP	16, 43	H 13696X2 RP	16	RTA 16200 RP	14
3689XTS		NS 5688P X973	39	9009 RP	20, 42	SBH 13696X2 RP	16	RTA 16210 RP	14
1/2X1-1/2	18, 43	SBNS 5688 X973	39	9009X2 RP	16, 43	L 13696X2 RP	16	H 25688-2XTS	
3689-1	20	5689-1	21	9009XTS		SBL 13696X2 RP	16	1/2X13/16	43
3689-2-1	20	M 5689-1	22	1/2X1-1/2 RP	18, 43	L 13696X3 RP	15	25688M	42
SB 3689	20	M 5689-2-1	22	WD 9013	51	SBL 13696X3 RP	15		
S 3998-2	42	SB 5689	21	WD 9014	51	H 13696X5 RP	17	35086-1	21
4086-1	21	SBM 5689	22	WD 9015	51	SBH 13696X5 RP	17	M 35086-1	22
4086-2-1	21	WD 6009	50	WD 9029	51	SBL 13696X5 RP	17	35089-1	21
M 4086-1	22	WD 6009G	50	WD 9103	51	L 13696XTS		M 35089-1	22
M 4086-2-1	22	WD 6013	50	WD 9104	51	5/16X1-1/2 RP	18	35686-1	21
M 4088M	22	WD 6014	50	WD 9124	51	L 13696XTS		M 35686-1	22
4089-1	21	WD 6015	50	WD 9125	51	3/8X1-1/2 RP	18	NS 35686 X973	39
4089-2-1	21	WD 6102	50	WR 9203	51	SBL 13696XTS		35689-1	21
M 4089-1	22	WD 6103	50	WR 9204	51	3/8X1-1/2 RP	18	M 35689-1	22
M 4089-2-1	22	WD 6104	50	WR 9205	51	H 13696XTS			
4381	25	WD 6104	50	WR 9206	51	7/16X1-1/2 RP	18	WS 37250	56
4381-2	25	WD 6124	50	9381 RP	25	H 13706 RP	19	WS 37256	56
4381-2CW	47	WD 6125	50	9386 RP	25	SBH 13706 RP	19	WS 37258	56
4386	25	WR 6203	50	9389 RP	25	L 13706 RP	19		
4386-2	25	WR 6204	50	9621 RP	24	SBL 13706 RP	19	WS 38205	56
4389	25	WR 6205	50	9626 RP	24	H 13709E RP	19	WS 38206	56
4389-2	25	WR 6206	50	9629 RP	24	SBH 13709E RP	19	WS 38208	56
4611	24	S 6981-2	36	9696X2 RP	16	13716 RP	19	WS 38250	56
4611-2	24	S 6981-2CW	47	SB 9696X2 RP	16	13719E RP	19	WS 38256	56
4611-2CW	47	S 6988-2	36	9696XTS				WS 38258	56
4616	24	S 6991-2	36	5/16X1-1/2 RP	18	RPA 14366 RP	14	WD 61025	50
4616-2	24	S 6991-2CW	47	3/8X1-1/2 RP	18	RP 14368 RP	14		
4619	24	S 6998-2	36	9696XTS		RPA 14368 RP	14	WP 81025M	53
4619-2	24	WS 7705	56	5/16X1-1/2 RP	18	RPA 14369 RP	14		
4686-1	21	WS 7706	56	3/8X1-1/2 RP	18	RP 14378 RP	14	WS 88250	52
4686-2-1	21	WS 7708	56	9696XTS		RPA 14378 RP	14	WS 88256	52
				3/8X1-1/2 RP	18	RPA 14419 RP	14	WS 88258	52
						RPA 14421 RP	14	WD 91025	51



# OFFICE CHAIR CASTERS

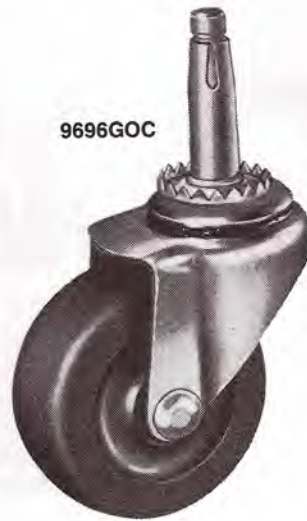
SERIES 69 and 70

## FOR STEM AND PLATE ATTACHMENT

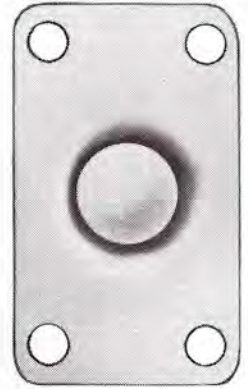
For many years, the largest selling quality office chair caster. **DIAMOND ARROW**, hardened ball bearing swivel construction provides easy action and long life. Supplied with non-marking, non-staining **GRAY BACO** soft rubber wheels for use on hard smooth floors, tile, wood, vinyl tile, concrete, and others..

Equipped with polypropylene, quiet rolling, non-marking, hard wheels for movement on carpets.

Oxidized copper finish for wood base chairs and nickel plating for metal base chairs.



Gripneck



Top Plate

Series No.	Wheel Dia. In.	Effect. Height In.	Finish	CASTER NUMBERS			
				Bassick No. for Hard Floors	Stand. EDP No.	Bassick No. for Carpeted Floors	Stand. EDP No.

Gripneck stem type for wood furniture. Standard with gripneck sockets to fit drilled holes  $\frac{3}{8}$ " diameter by  $1\frac{5}{8}$ " deep.

69	2	2 $\frac{1}{2}$	Oxid. Copper	9696G OC	11251	9698M OC	12832
----	---	-----------------	--------------	----------	-------	----------	-------

Top plate type for wood furniture.  $1\frac{3}{16}$ " x 2" plate has holes spaced  $1\frac{3}{16}$ " x  $1\frac{9}{16}$ ". Recommended for use where socket holes for stem casters are badly worn.

70	2	2 $\frac{5}{8}$	Oxid. Copper	9706G OC	11259	9708M OC	12840
	2 $\frac{1}{2}$	3 $\frac{1}{16}$	Oxid. Copper	—	—	10708M OC	12093

Grip Ring stem type for metal base furniture.  $\frac{7}{16}$ " diameter by  $1\frac{3}{8}$ " stem fits  $\frac{29}{64}$ " machined hole. No sockets required.

69	2	2 $\frac{1}{2}$	Nickel	9696GX2N	11265	9698MX2N	12834
	2 $\frac{1}{2}$	2 $\frac{15}{16}$	Nickel	—	—	10698MX2M	12085

Friction Ring stem type for metal base chairs where socket is an integral part of the base.  $\frac{3}{8}$ " diameter by 1" long, fits  $\frac{25}{64}$ " hole. No socket required.

69	2	2 $\frac{1}{2}$	Nickel	9696GX691N	12167	9698MX691N	12838
	2 $\frac{1}{2}$	2 $\frac{15}{16}$	Nickel	—	—	10698MX691N	12091

Plain stem for tubular metal furniture.  $\frac{7}{16}$ " diameter by  $1\frac{29}{32}$ ". For use with Grip Ring sockets which are shown below. Sockets must be ordered separately.

69	2	2 $\frac{1}{2}$	Nickel	9696GX3N	11277	9698MX3N	12836
	2 $\frac{1}{2}$	2 $\frac{15}{16}$	Nickel	—	—	10698MX3N	12087



X2 Grip Ring



X691 Grip Ring

## GRIPNECK SOCKETS

for stems in wood furniture. Sockets need to be replaced when they no longer retain the caster. When sockets fall out due to worn socket holes, replace caster and socket with plate mount caster.



HOLE SIZE			SOCKET NO.	
Dia. in.	Depth in.	Track Plate Dia. in.	Bassick No.	Stand. EDP No.
$\frac{3}{8}$	$1\frac{5}{8}$	$\frac{3}{4}$	25RP	13001
$\frac{3}{8}$	$1\frac{5}{8}$	1	3RP	13002

## GRIP RING SOCKETS FOR X3 STEMS IN TUBULAR FURNITURE.

These sockets adapt to the most commonly used sizes of tubular metal furniture. A brass tension ring firmly grips the X3 stem.



TUBING DIMENSION			SOCKET NUMBER	
O.D.	I.D. exact	I.D. fraction	Bassick No.	Stand. EDP No.
$\frac{7}{8}$ "-18g	.777	$\frac{3}{4}$ "	1540RP	13003
1"-16g	.870	$\frac{7}{8}$ "	1542RP	13004
1"-18g	.894	$1\frac{15}{16}$ "	1543RP	13005



X3 Plain

# opus™ by Bassick



Gripneck



Top Plate



X851 Grip Ring



X691 Grip Ring



X3

The modern look in casters for the modern style of office furniture and with all the quality expected from Bassick.

Dual wheel construction and strength to perform even under the arduous conditions of office chair caster use.

Supplied with hard tread, black, non-marking wheels for easy performance on carpet.

Available with either black caster body or polished brass finish on die cast metal body.

Provided with the mounting plate and variety of stems commonly used in the office furniture industry.

61P9 x 622  
W/RPA 14369RP



WHEEL		BODY STYLE	USE ON	CASTER NUMBER	
Dia. Mm.	Tread Type			Bassick No.	Stand. EDP No.

**PLASTIC BODY OPUS CASTERS WITHOUT ATTACHING PLATE OR STEM, BLACK BODY, BLACK WHEELS**

50	Hard	Un Hooded	Carpet	51P9X622 Dec AA	12283
60	Hard	Un Hooded	Carpet	61P9X622 Dec AA	12307

ATTACHING SPECIFICATIONS	Caster Height In.	PART NUMBER	
		Bassick No.	Stand. EDP No.

**ATTACHING PLATE AND STEMS FOR X622 50MM PLASTIC BODY OPUS CASTERS**

Rectangular Plate, Bolt Hole spacing 1 <sup>3</sup> / <sub>16</sub> " x 1 <sup>9</sup> / <sub>16</sub> "	2 <sup>9</sup> / <sub>16</sub>	RTA 16200RP	13019
Gripneck Stem (X29) For Socket in Wood	2 <sup>5</sup> / <sub>16</sub>	RP 14368RP	13018
Griping Stem (X691) FOR 2 <sup>5</sup> / <sub>16</sub> " Dia. Hole	2 <sup>5</sup> / <sub>16</sub>	RPA 14369RP	13021
Griping Stem (X851) FOR 2 <sup>9</sup> / <sub>16</sub> " Dia. Hole	2 <sup>5</sup> / <sub>16</sub>	RPA 14366RP	13020
Plain Round Stem (X3) FOR GripRing Socket	2 <sup>5</sup> / <sub>16</sub>	RP 14378RP	13022

**ATTACHING PLATE AND STEMS FOR X622 60MM PLASTIC BODY OPUS CASTERS**

Rectangular Plate, Bolt Hole spacing 1 <sup>3</sup> / <sub>16</sub> " x 1 <sup>9</sup> / <sub>16</sub> "	2 <sup>7</sup> / <sub>8</sub>	RTA 16200RP	13019
Gripneck Stem (X29) For Socket in Wood	2 <sup>5</sup> / <sub>8</sub>	RP 14368RP	13018
Griping Stem (X691) FOR 2 <sup>5</sup> / <sub>8</sub> " Dia. Hole	2 <sup>5</sup> / <sub>8</sub>	RPA 14369RP	13021
Griping Stem (X851) FOR 2 <sup>9</sup> / <sub>8</sub> " Dia. Hole	2 <sup>5</sup> / <sub>8</sub>	RPA 14366RP	13020
Plain Round Stem (X3) FOR GripRing Socket	2 <sup>5</sup> / <sub>8</sub>	RP 14378RP	13022

# Bassick

## INSTITUTIONAL CASTERS AND SOCKETS

FOR LIGHT TUBULAR FURNITURE.

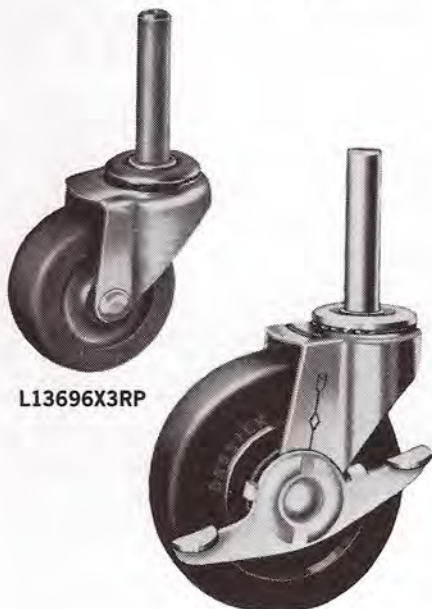
SERIES 69, X3 STEM 3" Dia. Wheels

Typing tables, projector stands, laundry carts and utility tables made with tubular legs are typical uses of these casters. A very wide variety of sockets is available to adapt to many different size legs.

**SWIVEL:** Double level, hardened, full ball bearing swivel for easy swiveling and long life.

**FINISH:** Heavy zinc plate for rust prevention and bright appearance.

**WHEEL BRAKE:** Step on wheel brake as indicated by prefix SB.



L13696X3RP

SBL13696X3RP

WHEEL			Load Cap. Lbs.	Caster Height In.	SWIVEL CASTER			
Dia. In.	Tread Width In.	Bearing Type			Swivel Radius In.	Appx. Wgt. Lbs.	Bassick No.	Stand EDP No.

**BACO** Wheel. Non-marking, non-staining soft rubber tread molded to hard rubber core for floor protection and quiet operation. Recommended for use on hard floors.

3	1 <sup>3</sup> / <sub>16</sub>	Self Lube	95	3 <sup>1</sup> / <sub>2</sub>	2 <sup>5</sup> / <sub>8</sub>	2 <sup>3</sup> / <sub>8</sub>	L13696X3RP	10156
3	1 <sup>3</sup> / <sub>16</sub>	Self Lube	95	3 <sup>1</sup> / <sub>2</sub>	2 <sup>7</sup> / <sub>8</sub>	2 <sup>3</sup> / <sub>8</sub>	SBL13696X3RP	10163

SB Prefix, Wheel Brake Caster

STEM SIZE 7 <sup>1</sup> / <sub>16</sub> " Dia. x 1 <sup>29</sup> / <sub>32</sub> " Long
---

## GRIP RING SOCKETS

A brass tension ring is built into the base of the socket to retain the caster stem. Sockets are zinc plated for rust prevention.



No. 1542RP

## TUBULAR METAL SOCKETS

Tubing Size	I.D.	SOCKET NO.	
		Bassick No.	Stand EDP No.
7/8" — 18g.	.777	1540RP PK5	13003
1" — 16g.	.870	1542RP PK5	13004
3/4" pipe	.824	1542RP PK5	13004
1" — 18g.	.894	1543RP PK5	13005



## INSTITUTIONAL CASTERS AND SOCKETS

For formed metal legs, angle iron legs, and solid metal bases

### SERIES 69, X2 STEM

2", 2½", 3", 4" & 5" Dia. Wheels

Tool carts, book carts, shelf trucks and bed frames are typical applications for these casters and their sockets. Brass plated spring rings on caster stem holds in solid base hole 2¼" I.D. by 1½" deep or use with sockets as tabled.

Specially recommended for heavy school pianos is the dual wheel caster 9006X2RP with socket No. 66 RP.

**SWIVEL:** Double level, hardened, full ball bearing swivel for easy swiveling and long life.

**FINISH:** Heavy zinc plate for rust prevention and bright appearance.

**WHEEL BRAKE:** Step on wheel brake supplied where indicated with prefix SB.

**STEM SIZE**  
 ¾" Dia. Grip Ring  
 1½" Long



9696X2RP

WHEEL			Load Cap. Lbs.	Caster Height In.	SWIVEL CASTER			
Dia. In.	Tread Width In.	Bearing Type			Swivel Radius In.	Appx. Wgt. Lbs.	Bassick No.	Stand. EDP No.

**BACO** Wheel. Non-marking, non-staining soft rubber tread molded to hard rubber core for floor protection and quiet operation. Recommended for use on hard floors.

2	7/8	Self Lube	75	2½	1 1/8	1/3	9696X2RP	10036
2	7/8	Self Lube	75	2½	2¼	1/2	SB9696X2RP	10037
2½	1 1/8	Self Lube	90	2 5/8	2¼	1/2	10696X2RP	10096
3	1 3/8	Self Lube	95	3½	2 5/8	2/3	L13696X2RP	10155
3	1 3/8	Self Lube	95	3½	2 5/8	1	SBL13696X2RP	10162

Larger swivel bearing for greater shock and abuse.

2	1 1/8 ea.	Self Lube	120	2 5/8	2	1	9006X2RP *	12373
3	1 3/8	Self Lube	100	3 1/8	2 3/4	2/3	H13696X2RP	10167
3	1 3/8	Self Lube	100	3 1/8	3	1	SBH13696X2RP	10174
4	7/8	Self Lube	110	4 3/8	3 3/8	1	14696X2RP	10277
4	7/8	Self Lube	110	4 3/8	3 3/8	1 1/4	SB14696X2RP	10283
5	1 3/8	Self Lube	125	5 1/8	4	1 1/2	15696X2RP	10411
5	1 3/8	Self Lube	125	5 1/8	4	1 3/4	SB15696X2RP	10416

**ATLASITE** Wheel. Non-marking molded hard rubber for greater load capacity and easier rolling. Recommended for use on carpet.

2	1 1/8 ea.	Self Lube	180	2 5/8	2	1	9009X2RP *	12375
---	-----------	-----------	-----	-------	---	---	------------	-------

SB Prefix, Wheel Brake Caster.

\*Dual Wheel Caster

### CASTER SOCKETS



No. 66RP



No. 10RP



No. 11RP



No. 34RP



No. 32RP

SOCKET		Description
Bassick No.	Stand. EDP No.	
66RP	13028	For wood. Bore dimension: 7/8" x 1½"
10RP 11RP	13029 13030	For 7/8" I.D. tubing For 1" I.D. tubing. Also fits 1/2" standard pipe
32RP Pierced 34RP Pierced	13032 13033	180° side bracket, 2 3/8" wide For 90° inside corner

# INSTITUTIONAL CASTERS AND SOCKETS

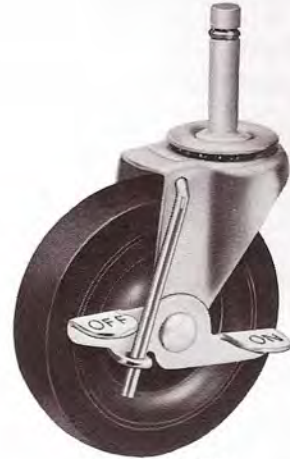
For Hospital beds and other heavy tubular furniture and equipment  
**SERIES 67, 69, X5 STEM 3", 4" & 5" Dia. Wheels**

Especially recommended for hospital beds are the new casters with positive action tread brakes. With 3" wheels, TB13676X5N and with 5" wheels, TB15696X5RP.

**SWIVEL:** Double level, hardened, full ball bearing swivel for easy swiveling and long life.

**FINISH:** Heavy zinc plate indicated by suffix RP, or nickel by suffix N.

**WHEEL BRAKE:** Step on wheel brake as indicated by prefix SB or new positive action tread brake indicated by prefix TB.



**TB15696X5 RP**

WHEEL			Load Cap. Lbs.	Caster Height In.	SWIVEL CASTER			
Dia. In.	Tread Width In.	Bearing Type			Swivel Radius In.	Appx. Wgt. Lbs.	Bassick No.	Stand. EDP No.

**BACO** Wheel. Non-marking, non-staining soft rubber tread molded to hard rubber core for floor protection and quiet operation. Recommended for use on hard floors.

3	1 <sup>3</sup> / <sub>16</sub>	Self Lube	95	3 <sup>1</sup> / <sub>2</sub>	2 <sup>3</sup> / <sub>8</sub>	1	SBL13696X5RP	10164
---	--------------------------------	-----------	----	-------------------------------	-------------------------------	---	--------------	-------

Larger swivel bearing for greater shock and abuse.

3	1 <sup>3</sup> / <sub>16</sub>	Self Lube	100	3 <sup>3</sup> / <sub>16</sub>	2 <sup>3</sup> / <sub>4</sub>	3/4	H13696X5RP	10169
3	1 <sup>3</sup> / <sub>16</sub>	Self Lube	100	3 <sup>3</sup> / <sub>16</sub>	3	1	SBH13696X5RP	10176
3	1 <sup>1</sup> / <sub>16</sub>	Self Lube	110	3 <sup>3</sup> / <sub>16</sub>	3 <sup>1</sup> / <sub>4</sub>	1	13676X5N	11958
3	1 <sup>1</sup> / <sub>16</sub>	Self Lube	110	3 <sup>3</sup> / <sub>16</sub>	3 <sup>1</sup> / <sub>2</sub>	1 <sup>1</sup> / <sub>4</sub>	TB13676X5N	11959
4	7/8	Self Lube	110	4 <sup>3</sup> / <sub>16</sub>	3 <sup>3</sup> / <sub>16</sub>	1 <sup>1</sup> / <sub>4</sub>	14696X5RP	10279
4	7/8	Self Lube	110	4 <sup>3</sup> / <sub>16</sub>	3 <sup>3</sup> / <sub>16</sub>	1 <sup>1</sup> / <sub>3</sub>	SB14696X5RP	10285
5	1 <sup>5</sup> / <sub>16</sub>	Self Lube	125	5 <sup>3</sup> / <sub>16</sub>	4	1 <sup>1</sup> / <sub>3</sub>	15696X5RP	10413
5	1 <sup>5</sup> / <sub>16</sub>	Self Lube	125	5 <sup>3</sup> / <sub>16</sub>	4	2	TB15696X5RP	11977

SB Prefix, Wheel Brake Caster.

TB Prefix, Tread Brake Caster

STEM SIZE $\frac{7}{16}$ " Dia. Grip Ring $1\frac{29}{32}$ " Long
---

# INSTITUTIONAL CASTERS WITH THREADED STEMS

**SERIES 69, 68 AND 00** 2", 2½" 3", 4" & 5" Dia. Wheels

A threaded stem is a convenient method for attaching a caster where there is not space to attach a mounting plate, or any way to hold a caster socket and stem. The stem can be threaded into a tapped hole, or inserted through a drilled hole and locked with a nut.

### HEIGHT ADJUSTMENT:

When levelling is required, a spacer washer should be placed between the top of the caster and the mounting frame to give full support to the caster.

### SWIVEL:

Double level, hardened, full ball bearing swivel for easy swiveling and long life.

### FINISH:

Heavy zinc plate for rust prevention and bright appearance.

### WHEEL BRAKE:

Step on wheel brake supplied where indicated with prefix SB.

### WHEEL MATERIALS:

**BACO** soft rubber, non-marking, non-staining for quiet operation on hard floors. **ATLASITE** hard rubber for easy rolling on carpet.



3686 XTS 1/2 x 1 1/2

9696 XTS 5/16 x 1 1/2 RP

Threaded Stem Size	Wheel			Load Cap. Lbs.	Caster Height In.	Swivel Caster			
	Dia. In.	Tread Width In.	Type			Swivel Radius In.	Appx. Wgt. Lbs.	Bassick No.	Stand EDP No.
5/16" - 18x1 1/2"	2	7/8	BACO	75	2 1/2	1 7/8	1/3	9696XTS 5/16 x 1 1/2 RP	10044
	2	7/8	BACO	75	2 1/2	2 1/4	1/3	SB9696XTS 5/16 x 1 1/2 RP	10045
	3	1 3/16	BACO	95	3 1/2	2 5/8	1/2	L13696XTS 5/16 x 1 1/2 RP	10158
3/8" - 16x1 1/2"	2	7/8	BACO	75	2 1/2	1 7/8	1/3	9696XTS 3/8 x 1 1/2 RP	10046
	2	7/8	BACO	75	2 1/2	2 1/4	1/3	SB9696XTS 3/8 x 1 1/2 RP	10047
	2 1/2	1 3/16	BACO	90	2 15/16	2 1/4	1/2	10696XTS 3/8 x 1 1/2 RP	10099
	3	1 3/16	BACO	95	3 1/2	2 5/8	2/3	L13696XTS 3/8 x 1 1/2 RP	10159
	3	1 3/16	BACO	95	3 1/2	2 7/8	2/3	SBL13696XTS 3/8 x 1 1/2 RP	10165

Larger swivel bearing for greater shock and abuse.

7/16" - 14x1 1/2"	3	1 3/16	BACO	100	3 9/16	2 3/4	3/4	H13696XTS 7/16 x 1 1/2 RP	10172
	4	7/8	BACO	110	4 7/16	3 5/16	1 1/4	14696XTS 7/16 x 1 1/2 RP	10281
	5	1 5/16	BACO	125	5 1/16	4	1 3/8	15696XTS 7/16 x 1 1/2 RP	10415
1/2" - 13x1 1/2"	2	1 3/16 ea.	ATLASITE	180	2 5/8	2	3/4	9009XTS 1/2 x 1 1/2 RP *	10027
	3	1 1/4	BACO	125	3 5/8	2 11/16	1	3686XTS 1/2 x 1 1/2	10145
	3	1 1/4	POLYPROPYLENE	210	3 5/8	2 11/16	1	3688MXTS 1/2 x 1 1/2	12171
	3	1 1/4	ATLASITE	210	3 5/8	2 11/16	1 1/4	3689XTS 1/2 x 1 1/2	10148
	4	7/8	BACO	110	4 7/16	3 5/16	1 1/4	14696XTS 1/2 x 1 1/2 RP	10282

SB Prefix, Wheel Brake Caster.

\*Dual Wheel Caster

# Bassick

## INSTITUTIONAL CASTERS • SERIES 70 SWIVEL • 2", 2½ and 3" DIAMETER WHEELS FOR FURNITURE AND EQUIPMENT WEIGHING UP TO 380 POUNDS.

These casters provide excellent performance on light wood or metal institutional equipment requiring easy movement within small areas. Typical uses are book racks, bed side cabinets and typewriter stands.

**SWIVEL:** Double level, hardened, full ball bearing swivel for easy swiveling and long life.

**FINISH:** Heavy zinc plate for rust prevention and bright appearance.

**WHEEL BRAKE:** Step on wheel brake supplied where indicated with prefix SB.

1 1/8" x 1 1/4" bolt hole spacing  
3/8" mounting bolt diameter  
1 3/8" x 2" top plate

WHEEL			SWIVEL CASTER					
Dia. In.	Tread Width In.	Bearing Type	Load Cap. Lbs.	Caster Height In.	Swivel Radius In.	Approx. Weight Lbs.	Bassick No.	Stand. EDP No.

**BACO** Wheel. Non-marking, non-staining soft rubber tread molded to hard rubber core for floor protection and quiet operation. Recommended for use on hard floors.

2	7/8	Self Lube	75	2 3/8	1 7/8	1/3	9706RP	10053
2	7/8	Self Lube	75	2 5/8	2 1/4	1/2	SB9706RP	10054
2 1/2	1 3/16	Self Lube	90	3 1/16	2 1/4	1/2	10706RP	10103
2 1/2	1 3/16	Self Lube	90	3 1/16	2 3/8	2/3	SB10706RP	10104
3	1 3/16	Self Lube	95	3 5/8	2 5/8	2/3	L13706RP	10178
3	1 3/16	Self Lube	95	3 5/8	2 7/8	2/3	SBL13706RP	10180

SB Prefix, Wheel Brake Caster



Step-on wheel brakes are available as indicated in the tables by the prefix \*SB.

## INSTITUTIONAL CASTERS • SERIES 70 SWIVEL • SERIES 71 RIGID • 3", 4" and 5" DIAMETER WHEELS • FOR FURNITURE AND EQUIPMENT WEIGHING UP TO 600 POUNDS.

1 3/4" x 2 7/8" — 3 bolt hole spacing  
3/8" mounting bolt diameter  
2 3/4" x 3 3/4" top plate

These casters with larger wheels and larger swivel bearing are for heavier service and greater movement. School audio-visual stands, room service carts, display stands and cabinets and utility tables are typical uses.



13716 RP

**SWIVEL:** Double level, hardened, full ball bearing swivel for easy swiveling and long life.

**FINISH:** Heavy zinc plate for rust prevention and bright appearance.

**WHEEL BRAKE:** Step on wheel brake supplied where indicated with prefix SB.

H13706 RP

WHEEL			SWIVEL CASTER						RIGID CASTER		
Dia. In.	Tread Width In.	Bearing Type	Load Cap. Lbs.	Caster Height In.	Swivel Radius In.	Approx. Weight Lbs.	Bassick No.	Stand. EDP No.	Approx. Weight Lbs.	Bassick No.	Stand. EDP No.

**BACO** Wheel. Non-Marking, non-staining soft rubber tread molded to hard rubber core for floor protection and quiet operation. Recommended for use on hard floors.

3	1 3/16	Self Lube	100	3 3/4	2 3/4	1	H13706RP	10181	1	13716RP	10185
3	1 3/16	Self Lube	100	3 3/4	3	1	SBH13706RP	10183	—	—	—
4	7/8	Self Lube	110	4 3/4	3 5/8	1 1/2	14706RP	10293	1 1/2	14716RP	10297
4	7/8	Self Lube	110	4 3/4	3 3/8	1 1/2	SB14706RP	10295	—	—	—
5	1 5/16	Self Lube	125	5 3/4	4	2	15706RP	10421	1 3/4	15716RP	10425
5	1 5/16	Self Lube	125	5 3/4	4	2	SB15706RP	10423	—	—	—

**ATLASITE** Wheel. Non-marking molded hard rubber for greater load capacity and easier rolling. Recommended for use on carpet.

3	1 3/16	Self Lube	125	3 3/4	2 3/4	1	H13709ERP	11903	1	13719ERP	11904
3	1 3/16	Self Lube	125	3 3/4	3	1	SBH13709ERP	11905	—	—	—
4	7/8	Self Lube	135	4 3/4	3 5/8	1 1/2	14709GRP	11906	1 1/2	14719GRP	11907
4	7/8	Self Lube	135	4 3/4	3 3/8	1 1/2	SB14709GRP	11908	—	—	—
5	1 5/16	Self Lube	150	5 3/4	4	2	15709RP	10422	1 3/4	15719RP	10427
5	1 5/16	Self Lube	150	5 3/4	4	2	SB15709RP	10424	—	—	—

SB Prefix, Wheel Brake Caster

# INSTITUTIONAL CASTERS

For furniture and equipment weighing up to 840 pounds.

SERIES 00, 68, 67 SWIVEL, SERIES 08, 66 RIGID 2", 2½", 3", 4" Dia. Wheels

Bolt Hole Spacing: 1¾" x 2⅞" -3"  
 Mounting Bolt Diameter: ⅝"  
 Top Plate: 2¾" x 3¾"



14676 RP



3686-1



9009 RP

Quick swiveling, easy rolling casters for hand pushed equipment in stores, offices, schools, hospitals and wherever easy mobility is required. Dual Wheel 00 Series has unusual strength and low height for heavy furniture, pianos, and office equipment.

**SWIVEL:** Double level, hardened, full ball bearing swivel for easy swiveling and long life.

**FINISH:** Heavy zinc plate for rust prevention and bright appearance.

**WHEEL BRAKE:** Step on wheel brake supplied where indicated with prefix SB.

**THREAD GUARDS:** Indicated by suffix -1, protect wheel from binding with string. For longer life with less maintenance.

WHEEL			Load Cap. Lbs.	Caster Height In.	SWIVEL CASTER				RIGID CASTER		
Dia. In.	Tread Width In.	Bearing Type			Swivel Radius In.	Approx. Weight Lbs.	Bassick No.	Stand. EDP No.	Approx. Weight Lbs.	Bassick No.	Stand. EDP No.

**BACO** Wheel. Soft rubber tread molded to hard rubber core provides floor and load protection and quiet operation. Recommended for hand pushed equipment on hard floors.

2	1⅝* ea.	Self Lube	125	2⅞ <sub>32</sub>	2	1	9006RP *	12372	—	—	—
2½	1⅞	Self Lube	120	3⅞ <sub>16</sub>	2⅞ <sub>8</sub>	1	2686-1	10092	1	—	—
3	1¾	Self Lube	125	3⅞ <sub>16</sub>	2⅞ <sub>16</sub>	1½	3686-1	10142	1½	2086-1	10076
3	1¾	Self Lube	125	3⅞ <sub>16</sub>	3¼	1½	SB3686	10152	—	—	—
3	1¾	Roller	125	3⅞ <sub>16</sub>	2⅞ <sub>16</sub>	1½	3686-2-1	10143	1½	3086-2-1	10119
4	1⅞	Self Lube	140	5⅞ <sub>16</sub>	3⅞ <sub>16</sub>	2	14676RP	10263	1¾	14666RP	10262

**ATLASITE** Wheel. Water resistant, non marking molded hard rubber wheel combines high load capacity and easy rolling with floor protection. Recommended for hand pushed equipment on hard floors and carpet.

2	1⅝* ea.	Self Lube	180	2⅞ <sub>32</sub>	2	1	9009RP *	12374	—	—	—
2½	1⅞	Self Lube	175	3⅞ <sub>16</sub>	2⅞ <sub>8</sub>	1	2689-1	10093	1	2089-1	10077
3	1¾	Self Lube	210	3⅞ <sub>16</sub>	2⅞ <sub>16</sub>	1½	3689-1	10146	1½	3089-1	10121
3	1¾	Self Lube	210	3⅞ <sub>16</sub>	3¼	1½	SB3689	10153	—	—	—
3	1¾	Roller	210	3⅞ <sub>16</sub>	2⅞ <sub>16</sub>	1½	3689-2-1	10147	1½	3089-2-1	10122

**BRAVO** Wheel. High impact polypropylene material for high load capacity and floor protection. Impervious to water, acid and most chemicals. Recommended for hand pushed equipment on hard floors and carpets. Plain bearing wheels for economy, and for use in corrosive conditions.

3	1¾	Plain	210	3⅞ <sub>16</sub>	2⅞ <sub>16</sub>	1½	3688M-1	12076	—	—	—
---	----	-------	-----	------------------	------------------	----	---------	-------	---	---	---

\*Dual Wheel Caster  
 SB Prefix, Wheel Brake Caster  
 -1 Suffix, Thread Guard

# Bassick

## INSTITUTIONAL CASTERS

For trucks and equipment carrying up to 1,120 pounds.

**SERIES 68 SWIVEL, SERIES 08 RIGID 3 1/2", 4" & 5" Dia. Wheels**

2 3/8" x 3 7/16" bolt hole spacing  
5/16" mounting bolt diameter  
3 1/8" x 4 1/8" top plate size

Larger wheels and larger swivel bearings facilitate easier hand pushed movement of heavy weights over door sills, ramps, and other floor obstructions.

Stock trucks in stores and supermarkets are typical uses. They are also popularly used on large portable ladders, chair trucks, housekeeping carts and stock picker trucks.



4686-1

To accommodate 1 3/4" x 2 7/8" slotted to 1 3/4" x 3" bolt hole pattern, use M68 and M08 casters on page 22



4086-1



**SWIVEL:** Double level, hardened, full ball bearing swivel for easy swiveling and long life.

**FINISH:** Heavy zinc plate for rust prevention and bright appearance.

**WHEEL BRAKE:** Step on wheel brake supplied where indicated with prefix SB.

**THREAD GUARDS:** Indicated by suffix -1, protect wheel from binding with string for longer life with less maintenance.

WHEEL			SWIVEL CASTER						RIGID CASTER		
Dia. In.	Tread Width In.	Bearing Type	Load Cap. Lbs.	Caster Height In.	Swivel Radius In.	Approx. Weight Lbs.	Bassick No.	Stand. EDP No.	Approx. Weight Lbs.	Bassick No.	Stand. EDP No.

**BACO** Wheel. Soft rubber tread molded to hard rubber core provides floor and load protection and quiet operation. Recommended for hand pushed equipment on hard floors.

3 1/2	1 5/8	Self Lube	140	4 15/32	3 1/8	2	35686-1	10228	1 3/4	35086-1	10221
4	1 5/8	Self Lube	165	5 1/8	3 1/2	2 1/2	4686-1	10266	2	4086-1	10235
4	1 5/8	Self Lube	165	5 1/8	3 1/2	2 1/2	SB4686	10268	—	—	—
4	1 5/8	Roller	165	5 1/8	3 1/2	2 1/2	4686-2-1	10267	2	4086-2-1	10236
5	1 5/8	Self Lube	190	6 1/8	4 3/32	3	5686-1	10395	2 1/2	5086-1	10371
5	1 5/8	Self Lube	190	6 1/8	4 3/32	3	SB5686	10398	—	—	—

**ATLASITE** Wheel. Water resistant, non marking molded hard rubber wheel combines high load capacity and easy rolling with floor protection. Recommended for hand pushed equipment on hard floors and carpet.

3 1/2	1 5/8	Self Lube	225	4 15/32	3 1/8	2	35689-1	10229	1 3/4	35089-1	10222
4	1 5/8	Self Lube	255	5 1/8	3 1/2	2 1/2	4689-1	10270	2	4089-1	10237
4	1 5/8	Self Lube	255	5 1/8	3 1/2	2 1/2	SB4689	10272	—	—	—
4	1 5/8	Roller	255	5 1/8	3 1/2	2 1/2	4689-2-1	10271	2	4089-2-1	10238
5	1 5/8	Self Lube	280	6 1/8	4 3/32	3	5689-1	10400	2 1/2	5089-1	10373
5	1 5/8	Self Lube	280	6 1/8	4 3/32	3	SB5689	10403	—	—	—

SB Prefix, Wheel Brake Caster  
-1 Suffix, Thread Guards

# Bassick INSTITUTIONAL CASTERS

**Series M68 Swivel, M08 rigid 3 1/2", 4", 5" dia. wheels**  
For trucks and equipment carrying up to 1,120 lbs.

Bolt hole spacing 1 3/4" x 2 7/8"  
Slotted to 1 3/4" x 3"  
5/16" dia. attaching bolt.  
Top plate size 2 1/2" x 3 5/8"

Time proven 68 series caster with new top plate with popular bolt hole pattern.

Large diameter, wide wheels for greater load capacity and easy movement over floor obstructions.

Typical uses: stock trucks in stores, house-keeping carts, stock picker trucks, and maintenance trucks.

**SWIVEL BEARING:** Double level, full ball bearing swivel with two large diameter hardened races for easier swiveling and long life.

**FINISH:** Heavy zinc plate for rust prevention and bright appearance.

**WHEEL BRAKE:** Step on wheel brake available on swivel casters holds equipment in place. Indicate with prefix "SB", as in SBM5686.



**M5689**



**M4088M**



**SBM4689**

**THREAD GUARDS:** Protect wheel from binding from string and thread. Available on casters with Baco, Atlasite and Bravo wheels. Indicate with suffix "-1" as in M4686-1. Not available on casters with side brake.

WHEEL			Load Cap. Lbs.	Caster Height In.	SWIVEL CASTER				RIGID CASTER		
Dia. In.	Tread Width In.	Bearing Type			Swivel Radius In.	Approx. Weight Lbs.	Bassick No.	Stand. EDP No.	Approx. Weight Lbs.	Bassick No.	Stand. EDP No.

**BACO Wheel.** Soft rubber tread molded to hard rubber core provides floor and load protection and quiet operation. Recommended for hand pushed equipment on hard floors.

3 1/2	1-5/16	Self Lube	140	4-15/32	3-1/16	2	M35686-1	12477	1 3/4	M35086-1	12505
4	1-5/16	Self Lube	165	5-1/16	3 1/2	2 1/2	M4686-1	12484	2	M4086-1	12512
4	1-5/16	Self Lube	165	5-1/16	3 1/2	2 1/2	SBM4686	12486			
4	1-5/16	Roller	165	5-1/16	3 1/2	2 1/2	M4686-2-1	12487	2 1/4	M4086-2-1	12514
5	1-5/16	Self Lube	190	6-1/16	4-5/32	3	M5686-1	12494	2 1/2	M5086-1	12520
5	1-5/16	Self Lube	190	6-1/16	4-5/32	3	SBM5686	12496			
5	1-5/16	Roller	190	6-1/16	4-5/32	3	M5686-1	12497	2 3/4	M5086-2-1	12522
5	1-5/16	Roller	190	6-1/16	4-5/32	3 1/2	SBM5686-2	12568			

**ATLASITE Wheel.** Water resistant, non-marking molded hard rubber wheel combines high load capacity and easy rolling with floor protection. Recommended for hand pushed equipment on hard floors and carpets.

3 1/2	1-5/16	Self Lube	225	4-15/32	3-1/16	2	M35689-1	12480	1 3/4	M35089-1	12508
4	1-5/16	Self Lube	255	5-1/16	3 1/2	2 1/2	M4689-1	12489	2	M4089-1	12516
4	1-5/16	Self Lube	255	5-1/16	3 1/2	2 1/2	SMB4689	12491			
4	1-5/16	Roller	255	5-1/16	3 1/2	2 1/2	M4689-2-1	12492	2 1/4	M4089-2-1	12518
4	1-5/16	Roller	255	5-1/16	3 1/2	2 1/2	SMB4689-2	12569			
5	1-5/16	Self Lube	280	6-1/16	4-5/32	3	M5689-1	12500	2 1/2	M5089-1	12525
5	1-5/16	Self Lube	280	6-1/16	4-5/32	3	SBM5689	12502			
5	1-5/16	Roller	280	6-1/16	4-5/32	3	M5689-1	12503	2 3/4	M5089-2-1	12527

**BRAVO Wheel.** High impact polypropylene material for high load capacity and floor protection. Impervious to water, acid and most chemicals. For hand pushed equipment on hard floors and carpets.

4	1 1/4	Plain	255	5-1/16	3 1/2	1 3/4	M4688M	12488	1 1/2	M4088M	12515
4	1 1/4	Plain	255	5-1/16	3 1/2	2	SBM4688M	12570			
5	1 1/4	Plain	280	6-1/16	4-5/32	2	M5688M	12499	1 3/4	M5088M	12524
5	1 1/4	Plain	280	6-1/16	4-5/32	2 1/4	SBM5688M	12571			

**BRAVOTHANE Wheel.** Tough, resilient polyurethane tread interlocked to strong polypropylene core provides excellent corrosion resistance. Easy rolling, clean, non-marking wheel for use on hard floors and carpet.

5	1 3/4	Self Lube	250	6-1/16	4-5/32	2	M5688P	12575	1 3/4	M5088P	12574
5	1 3/4	Self Lube	250	6-1/16	4-5/32	2 1/4	SBM5688P	12576			

# Bassick

## INSTITUTIONAL CASTERS

For trucks carrying up to 1200 pounds.  
**SERIES MS SWIVEL, SERIES MT RIGID 4" Dia. Wheels**

Large, wide wheels, usually found only on more expensive casters for industrial and material handling applications, help these casters roll over rough floors, door sills and elevator entrances.

These casters find good application on heavy stock trucks in stores where the extra load capacity and floor protection of their wide wheels are required.

Bolt Hole Spacing  $2\frac{5}{8}" \times 3\frac{5}{8}"$  —  
 $3" \times 3"$   
 Mounting Bolt Diameter  $\frac{3}{8}"$   
 Top Plate Size  $3\frac{3}{4}" \times 4\frac{5}{8}"$



SB4MS 9



4MT9-2

**SWIVEL:** Double level, hardened, full ball bearing swivel for easy swiveling and long life.

**FINISH:** Heavy zinc plate for rust prevention and bright appearance.

**WHEEL BRAKE:** Step on wheel brake supplied where indicated with prefix SB.

WHEEL			Load Cap. Lbs.	Caster Height In.	SWIVEL CASTER				RIGID CASTER		
Dia. In.	Tread Width In.	Bearing Type			Swivel Radius In.	Approx. Weight Lbs.	Bassick No.	Stand. EDP No.	Approx. Weight Lbs.	Bassick No.	Stand. EDP No.

**BACO** Wheel. Soft rubber tread molded to hard rubber core provides floor and load protection and quiet operation. Recommended for hand pushed equipment on hard floors.

4	$1\frac{5}{8}$	Self Lube	200	$5\frac{1}{32}$	$\frac{3}{16}$	3	4MS6	10346	3	4MT6	10358
4	$1\frac{5}{8}$	Self Lube	200	$5\frac{1}{32}$	$\frac{3}{4}$	$\frac{3}{4}$	SB4MS6	10348	—	—	—

**ATLASITE** Wheel. Water resistant, non marking molded hard rubber wheel combines high load capacity and easy rolling with floor protection. Recommended for hand pushed equipment on hard floors and carpet.

4	$1\frac{5}{8}$	Self Lube	300	$5\frac{1}{32}$	$\frac{3}{16}$	$\frac{3}{2}$	4MS9	10351	3	4MT9	10361
4	$1\frac{5}{8}$	Self Lube	300	$5\frac{1}{32}$	$\frac{3}{4}$	$\frac{3}{2}$	SB4MS9	10355	—	—	—
4	$1\frac{5}{8}$	Roller	300	$5\frac{1}{32}$	$\frac{3}{16}$	$\frac{3}{2}$	4MS9-2	10352	3	4MT9-2	10362
4	$1\frac{5}{8}$	Roller	300	$5\frac{1}{32}$	$\frac{3}{4}$	$\frac{3}{2}$	SB4MS9-2	10356	—	—	—

SB Prefix, Wheel Brake Caster



# Bassick

## INEXPENSIVE DOLLY CASTERS

For warehouse and factory service.

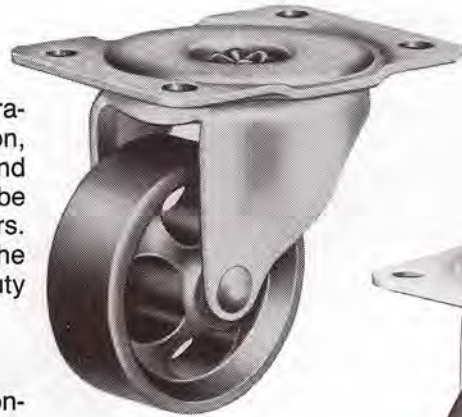
**SERIES 61 SWIVEL 2", 2½", 3" & 4" Dia. Wheels** Durable casters to be used where heavy loads are common, short travel and intermittent services are expected, and low first cost is essential. Typical applications would be on parts bins, moving dollies and portable conveyors. These casters have the same wheels and are of the same construction features found only in heavy duty industrial material handling casters.

### SWIVEL:

Single level, large diameter ball bearing swivel for economy and long life.

### FINISH:

Heavy zinc plate finish for rust prevention and bright appearance.



3611



3619

WHEEL			Load Cap. Lbs.	Caster Height In.	Swivel Radius In.	TOP PLATE			Approx. Weight Lbs.	CASTER NO.	
Dia. In.	Tread Width In.	Bearing Type				Size In.	Hole Spacing In.	Bolt Dia. In.		Bassick No.	Stand. EDP No.

**BACO/Soft Rubber Tread Wheel** provides floor and load protection and quiet operation. Recommended for hand pushed equipment on hard surfaced floors.

2	1	Self Lube	100	2½	1¾	1⅞x2⅝	3½x2⅞	¼	⅜	9626 RP	10032
2½	1⅞	Self Lube	120	3¼	2⅞	2¾x3¾	1¾x2⅞-3	⅜	1	2616	10086
3	1¼	Self Lube	125	3⅞	2⅞	3⅞x4⅞	2⅞x3⅞-3⅞	⅜	2	3616	10134
3	1¼	Roller	125	3⅞	2⅞	3⅞x4⅞	2⅞x3⅞-3⅞	⅜	2	3616-2	10136
4	1⅝	Self Lube	200	5	3⅞	4x5	3x4	⅜	3½	4616	10256
4	1⅝	Roller	200	5	3⅞	4x5	3x4	⅜	3½	4616-2	10257

**ATLASITE/Hard Rubber Wheel** combines high load capacity and easy rolling with floor protection. Recommended for hand pushed equipment on hard surfaced floors and carpets.

2	1	Self Lube	125	2½	1¾	1⅞x2⅝	3½x2⅞	¼	⅜	9629 RP	10033
2½	1⅞	Self Lube	175	3¼	2⅞	2¾x3¾	1¾x2⅞-3	⅜	1	2619	10088
3	1¼	Self Lube	210	3⅞	2⅞	3⅞x4⅞	2⅞x3⅞-3⅞	⅜	2	3619	10137
3	1¼	Roller	210	3⅞	2⅞	3⅞x4⅞	2⅞x3⅞-3⅞	⅜	2	3619-2	10139
4	1⅝	Self Lube	300	5	3⅞	4x5	3x4	⅜	3½	4619	10259
4	1⅝	Roller	300	5	3⅞	4x5	3x4	⅜	3½	4619-2	10261

**BRAVO Wheel.** High impact polypropylene material for high load capacity and floor protection. Impervious to water, acid and most chemicals. Recommended for hand pushed equipment on hard floors and carpets. Plain bearing wheels for economy, and for use in corrosive conditions.

2½	1⅞	Plain	175	3¼	2⅞	2¾x3¾	1¾x2⅞-3	⅜	1	2618M	12071
3	1¼	Plain	210	3⅞	2⅞	3⅞x4⅞	2⅞x3⅞-3⅞	⅜	2	3618M	12075

**METAL WHEEL** for high load capacity, easy rolling and resistance to rough, chip littered floors. The 2", 2½" and 3" sizes are made of iron powder molded under pressure and sintered. The 4" size is cast iron enriched with steel.

2	1⅞	Plain	125	2½	1¾	1⅞x2⅝	3½x2⅞	¼	½	9621 RP	10031
2½	1	Plain	175	3¼	2⅞	2¾x3¾	1¾x2⅞-3	⅜	1¼	2611	10085
3	1⅝	Plain	250	3⅞	2⅞	3⅞x4⅞	2⅞x3⅞-3⅞	⅜	2½	3611	10132
3	1⅝	Roller	250	3⅞	2⅞	3⅞x4⅞	2⅞x3⅞-3⅞	⅜	2½	3611-2	10133
4	1½	Plain	350	5	3⅞	4x5	3x4	⅜	4¼	4611	10252
4	1½	Roller	350	5	3⅞	4x5	3x4	⅜	4¼	4611-2	10253

# DOLLY CASTERS

## SERIES 38 RIGID 2", 2½", 3", & 4" Dia. Wheels

These casters use the same wheels and are for the same applications as Series 61 on Page 24 except they are rigid. Rigid casters are for companion use with swivel casters, often on tilt trucks, and to provide better directional control.



3389

WHEEL			Load Cap. Lbs.	Caster Height In.	TOP PLATE			Approx. Weight Lbs.	CASTER NO.	
Dia. In.	Tread Width In.	Bearing Type			Size In.	Hole Spacing In.	Bolt Dia. In.		Bassick No.	Stand. EDP No.

**BACO/Soft Rubber Tread Wheel** provides floor and load protection and quiet operation. Recommended for hand pushed equipment on hard surfaced floors.

2	1	Self Lube	100	2½	1⅞x2⅜	¾x1⅞	¼	½	9386 RP	10029
2½	1⅞	Self Lube	120	2⅞	2¼x4½	1¼x3½	⅝	1	2386	10079
3	1¼	Self Lube	125	3⅞	2½x5	1⅞x4	⅝	1½	3386	10126
3	1¼	Roller	125	3⅞	2½x5	1⅞x4	⅝	1½	3386-2	10128
4	1⅝	Self Lube	200	5	3⅞x6⅜	2x5	⅝	2½	4386	10246
4	1⅝	Roller	200	5	3⅞x6⅜	2x5	⅝	2½	4386-2	10247

**ATLASITE/Hard Rubber Wheel** combines high load capacity and easy rolling with floor protection. Recommended for hand pushed equipment on hard surfaced floors and carpets.

2	1	Self Lube	125	2½	1⅞x2⅜	¾x1⅞	¼	½	9389 RP	10030
2½	1⅞	Self Lube	175	2⅞	2¼x4½	1¼x3½	⅝	1	2389	10081
3	1¼	Self Lube	210	3⅞	2½x5	1⅞x4	⅝	1½	3389	10129
3	1¼	Roller	210	3⅞	2½x5	1⅞x4	⅝	1½	3389-2	10131
4	1⅝	Self Lube	300	5	3⅞x6⅜	2x5	⅝	2½	4389	10249
4	1⅝	Roller	300	5	3⅞x6⅜	2x5	⅝	2½	4389-2	10251

**BRAVO Wheel.** High impact polypropylene material for high load capacity and floor protection. Impervious to water, acid and most chemicals. Recommended for hand pushed equipment on hard floors and carpets. Plain bearing wheels for economy, and for use in corrosive conditions.

2½	1⅞	Plain	175	2⅞	2¼x4½	1¼x3½	⅝	¾	2388M	12070
3	1¼	Plain	210	3⅞	2½x5	1⅞x4	⅝	1¼	3388M	12074

**METAL WHEEL** for high load capacity, easy rolling and resistance to rough, chip littered floors. The 2", 2½" and 3" sizes are made of iron powder molded under pressure and sintered. The 4" size is cast iron enriched with steel.

2	1⅝	Plain	125	2½	1⅞x2⅜	¾x1⅞	¼	½	9381 RP	10028
2½	1	Plain	175	2⅞	2¼x4½	1¼x3½	⅝	1¼	2381	10078
3	1⅝	Plain	250	3⅞	2½x5	1⅞x4	⅝	1¾	3381	10124
3	1⅝	Roller	250	3⅞	2½x5	1⅞x4	⅝	1¾	3381-2	10125
4	1½	Plain	350	5	3⅞x6⅜	2x5	⅝	¾	4381	10242
4	1½	Roller	350	5	3⅞x6⅜	2x5	⅝	¾	4381-2	10243

## AUTOMOTIVE JACK CASTER

A rugged, easy swiveling caster designed to take heavy loads as a replacement in many automotive jacks. Adding to its unusual strength is the very heavy, wide wheel and the low overall height. Can be used in other application where such ruggedness is essential.

90 degree groove in stem for set screw is located  $\frac{5}{8}$ " above top of swivel in  $\frac{3}{4}$ " Dia.  $\times$   $\frac{7}{8}$ " long stem.

**Stem Size:**  $\frac{3}{4}$ " Dia.  $\times$   $\frac{7}{8}$ ".

**$2\frac{1}{2}$ " Diameter Wheel. Effective Caster Height:  $3\frac{1}{4}$ ".**

**Swivel Radius:  $2\frac{3}{8}$ ".**



Load Cap. lbs.	WHEEL			Approx. Weight lbs.	CASTER NUMBER	
	Type	Tread Width in.	Bearing Type		Bassick No.	Stand. EDP No.
500	Semi Steel	1 $\frac{1}{4}$	Plain	1 $\frac{1}{2}$	H2681X187	10094

## HAND-L-HOLD

### Holds Mops, Brooms, Garden Tools, Hoses, etc.

Grips Handles up to  $1\frac{1}{8}$ " dia. Capacity

Pre-Drilled for Easy Mounting

Brass Plated Finish for Rust Protection and Longer Life

Spring Action Provides Sure-Grip and Greater Holding Power

Non-Marking Natural Rubber Cam Shaped Grip

Holds Brooms, Brushes, Hoes, Rakes, Shovels

Popular use in Homes, Industry, Commercial Institutions

**Part Numbers: M515-60  
M515-240**



# LOW HEIGHT INDUSTRIAL CASTERS

For factory trucks carrying up to 1700 pounds.

SERIES XX SWIVEL, SERIES YY RIGID 3" & 4" Dia. Wheels

Husky, compact casters provide easy mobility and long life carrying heavy loads in industrial applications. Recommend where height of loaded truck is limited and on narrow base trucks where large wheels would create a tipping problem.

**SWIVEL:** Hardened, double ball bearing for easy swiveling and long life carrying heavy loads and withstanding shock and abuse.

**FINISH:** Zinc chromate for increased corrosion resistance and clean appearance.

**LUBRICATION:** Alemite lubrication fitting for swivel bearing in easily accessible but protected location. Steel hub cap retains lubricant in bearing. Alemite lubrication fitting for wheel roller bearing located in wheel or axle head.



Bolt Hole Spacing  
2<sup>5</sup>/<sub>8</sub>" x 3<sup>5</sup>/<sub>8</sub>" Slotted to 3" x 3"  
3<sup>3</sup>/<sub>8</sub>" Diameter Mounting Bolt  
Top Plate 3<sup>3</sup>/<sub>4</sub>" x 4<sup>5</sup>/<sub>8</sub>" x 1<sup>3</sup>/<sub>8</sub>"

WHEEL			Load Cap. Lbs.	Caster Height In.	SWIVEL CASTER				RIGID CASTER		
Dia. In.	Tread Width In.	Bearing Type			Swivel Radius In.	Approx. Weight Lbs.	Bassick No.	Stand. EDP No.	Approx. Weight Lbs.	Bassick No.	Stand. EDP No.

**BACO** Wheel. Soft rubber tread molded to hard rubber core provides floor and load protection and quiet operation Recommended for hand pushed equipment on hard floors.

3	1 <sup>1</sup> / <sub>4</sub>	Roller	125	4 <sup>3</sup> / <sub>8</sub>	3	3	3XX6-2	11914	2 <sup>1</sup> / <sub>4</sub>	3YY6-2	11915
4	1 <sup>5</sup> / <sub>8</sub>	Roller	200	5 <sup>1</sup> / <sub>4</sub>	3 <sup>7</sup> / <sub>16</sub>	4	4XX6-2	11918	3	4YY6-2	11919

**ATLASITE** Wheel. Water resistant, non marking molded hard rubber wheel combines high load capacity and easy rolling with floor protection. Recommended for hand pushed equipment on hard floors and carpet.

3	1 <sup>1</sup> / <sub>4</sub>	Roller	210	4 <sup>3</sup> / <sub>8</sub>	3	3 <sup>1</sup> / <sub>4</sub>	3XX9-2	11922	2 <sup>1</sup> / <sub>2</sub>	3YY9-2	11923
4	1 <sup>5</sup> / <sub>8</sub>	Roller	300	5 <sup>1</sup> / <sub>4</sub>	3 <sup>7</sup> / <sub>16</sub>	4	4XX9-2	11926	3 <sup>1</sup> / <sub>4</sub>	4YY9-2	11927

**CANAPHIN** Wheel. Phenolic resin plastic reinforced with new low water absorption macerated canvas. High load capacity, floor protection and easy, quiet rolling. Resistant to many chemicals, acids, solvents, and water solutions. Operating temperatures from -40°F to +300°F. Clean, non-marking wheel for use on hand pushed equipment on hard, smooth floors or carpet. Supplied standard with roller bearing in wheel.

3	1 <sup>5</sup> / <sub>16</sub>	Roller	300	4 <sup>3</sup> / <sub>8</sub>	3	3	3XX8-2	11928	2 <sup>1</sup> / <sub>4</sub>	3YY8-2	11929
4	1 <sup>5</sup> / <sub>8</sub>	Roller	400	5 <sup>1</sup> / <sub>4</sub>	3 <sup>7</sup> / <sub>16</sub>	5	4XX8-2	11930	4	4YY8-2	11931

**BIRON**, powdered iron (3") and **SEMI-STEEL** (4") Wheel. High load capacity and easy rolling. Use on rough and chip littered floors that could damage other types of wheels.

3	1 <sup>5</sup> / <sub>32</sub>	Roller	250	4 <sup>3</sup> / <sub>8</sub>	3	3 <sup>1</sup> / <sub>2</sub>	3XX1-2	11934	3	3YY1-2	11935
4	1 <sup>1</sup> / <sub>2</sub>	Roller	425	5 <sup>1</sup> / <sub>4</sub>	3 <sup>7</sup> / <sub>16</sub>	5	4XX1-2	11938	4	4YY1-2	11939

# ***Bassick* HONCHO 900**

## **Material Handling Casters**

**For platform trucks, warehouse trucks, mobile containers and other material handling trucks carrying up to 3,600 pounds in hand pushed or conveyor towed applications.**

**SERIES AS SWIVEL, SERIES AR RIGID 5", 6" & 8" Diameter Wheels**

Heat treat hardened bearing races and balls for easier swiveling and long life.

Polymer seal retains lubricant and excludes contaminants for longer life, better swiveling.

Machine welding for consistent quality, strength and neat appearance.

Easily accessible but protected Alemite lubrication fitting for swivel bearing.

Husky king pin, thick steel bearing races for added strength.

Zinc chromate finish for corrosion resistance over double that of ordinary zinc plate.

Polymer plastic wheel bearing seals retain lubricant, exclude contaminants and reduce friction and wear between wheel hub and caster legs.

Easily accessible but protected Alemite lubrication fitting for wheel roller bearings.



**6AS3R-7**

All new welded construction with strength to withstand conveyor use and the continuous impacts of transport in over highway trucks. Supplied standard with sealed swivel bearing to retain lubricant and exclude contaminants. Easy to clean and keep clean, these casters have found good application in food processing industries.



Bolt hole spacing  $2\frac{5}{8}'' \times 3\frac{5}{8}''$   
 slotted to  $3'' \times 3''$   
 Mounting bolt dia.  $\frac{3}{8}''$   
 Top plate size  $4'' \times 4\frac{1}{2}''$

WHEEL			Load Cap. Lbs.	Caster Height In.	SWIVEL CASTER				RIGID CASTER		
Dia. In.	Tread Width In.	Bearing Type			Swivel Radius In.	Approx. Weight Lbs.	Bassick No.	Stand. EDP No.	Approx. Weight Lbs.	Bassick No.	Stand. EDP No.

**BACO WHEEL.** Soft rubber tread molded to hard rubber core provides floor and load protection and quiet operation. Recommended for hand pushed equipment on hard floors.

5	2	Roller	425	6 $\frac{1}{2}$	3 $\frac{15}{16}$	5 $\frac{1}{2}$	5AS6-2	11764	4 $\frac{1}{2}$	5AR6-2	11765
6	2	Roller	475	7 $\frac{1}{2}$	4 $\frac{5}{8}$	7	6AS6-2	11768	5 $\frac{1}{2}$	6AR6-2	11769

**ALCORE/RUBBER TREAD WHEEL.** Soft rubber tread bonded to aluminum core provides maximum floor and load protection, impact strength and quiet operation. Recommended for hand pushed or conveyor towed operation on hard floors. Supplied standard with sealed roller wheel bearing.

5	2	Seal Roller	450	6 $\frac{1}{2}$	3 $\frac{15}{16}$	5 $\frac{1}{2}$	5AS3R-7	12348	4 $\frac{1}{2}$	5AR3R-7	12351
6	2	Seal Roller	500	7 $\frac{1}{2}$	4 $\frac{5}{8}$	7	6AS3R-7	12349	5 $\frac{1}{2}$	6AR3R-7	12352
8	2	Seal Roller	600	9 $\frac{1}{2}$	6	9	8AS3R-7	12350	7 $\frac{1}{2}$	8AR3R-7	12353

**BRAVOTHANE WHEEL.** Tough, resilient polyurethane tread interlocked to polypropylene core. Provides quiet service with floor protection for hand pushed applications. Excellent resistance to corrosion. Use on hard floors and carpet.

5	2	Seal Lube	700	6 $\frac{1}{2}$	3 $\frac{15}{16}$	5 $\frac{1}{2}$	5AS8PT	15051	4 $\frac{1}{2}$	5AR8PT	15052
5	2	Seal Roller	700	6 $\frac{1}{2}$	3 $\frac{15}{16}$	5 $\frac{1}{2}$	5AS8P-7	15043	4 $\frac{1}{2}$	5AR8P-7	15044
6	2	Seal Lube	750	7 $\frac{1}{2}$	4 $\frac{5}{8}$	6 $\frac{1}{2}$	6AS8PT	15053	5	6AR8PT	15054
6	2	Seal Roller	750	7 $\frac{1}{2}$	4 $\frac{5}{8}$	6 $\frac{1}{2}$	6AS8P-7	15046	5	6AR8P-7	15047
8	2	Seal Lube	750	9 $\frac{1}{2}$	6	8 $\frac{1}{2}$	8AS8PT	15055	7	8AR8PT	15056
8	2	Seal Roller	750	9 $\frac{1}{2}$	6	8 $\frac{1}{2}$	8AS8P-7	15049	7	8AR8P-7	15050

**BRAVO WHEEL.** High impact polypropylene material for high load capacity and floor protection. Impervious to water, acid and most chemicals. Recommended for hand pushed equipment on hard floors and carpets. Roller bearing wheels for easy rolling. Plain bearing wheels for economy, and for use in corrosive conditions.

5	2	Plain	650	6 $\frac{1}{2}$	3 $\frac{15}{16}$	4 $\frac{3}{4}$	5AS8M	12032	4 $\frac{1}{4}$	5AR8M	12033
5	2	Seal Roller	650	6 $\frac{1}{2}$	3 $\frac{15}{16}$	5	5AS8M-7	12034	4 $\frac{1}{2}$	5AR8M-7	12035
6	2	Plain	700	7 $\frac{1}{2}$	4 $\frac{5}{8}$	5 $\frac{3}{4}$	6AS8M	12036	4 $\frac{3}{4}$	6AR8M	12037
6	2	Seal Roller	700	7 $\frac{1}{2}$	4 $\frac{5}{8}$	6	6AS8M-7	12038	5	6AR8M-7	12039
8	2	Seal Roller	900	9 $\frac{1}{2}$	6	8	8AS8M-7	12042	6	8AR8M-7	12043

**ATLASITE WHEEL.** Water resistant, non marking molded hard rubber wheel combines high capacity and easy rolling with floor protection. Recommended for hand pushed equipment on hard floors and carpet.

5	2	Roller	600	6 $\frac{1}{2}$	3 $\frac{15}{16}$	5 $\frac{1}{2}$	5AS9-2	11774	4 $\frac{1}{2}$	5AR9-2	11775
6	2	Roller	650	7 $\frac{1}{2}$	4 $\frac{5}{8}$	7	6AS9-2	11778	6	6AR9-2	11779

**HONCHO/POLYURETHANE Tread Wheel.** Tough, resilient polyurethane mechanically interlocked to husky die cast aluminum core for extra abuse conditions.

5	2	Seal Roller	900	6 $\frac{1}{2}$	3 $\frac{15}{16}$	5 $\frac{1}{2}$	5AS3P-7	12801	4 $\frac{1}{2}$	5AR3P-7	12800
6	2	Seal Roller	900	7 $\frac{1}{2}$	4 $\frac{5}{8}$	6 $\frac{1}{2}$	6AS3P-7	12811	5	6AR3P-7	12810
8	2	Seal Roller	900	9 $\frac{1}{2}$	6	8 $\frac{1}{2}$	8AS3P-7	12821	7	8AR3P-7	12820

**CANAPHIN WHEEL.** Phenolic resin plastic reinforced with new low water absorption macerated canvas. High load capacity, impact strength, floor protection and easy, quiet rolling. Resistant to many chemicals, acids, solvents, water solutions. Operating temperatures from  $-40^{\circ}\text{F}$  to  $+300^{\circ}\text{F}$ . Clean, non-marking wheel for use on hand pushed and power moved equipment on hard, smooth floors or carpet. Supplied standard with roller bearing in wheel.

5	2	Seal Roller	900	6 $\frac{1}{2}$	3 $\frac{15}{16}$	5	5AS8-7	11782	4 $\frac{1}{2}$	5AR8-7	11783
6	2	Seal Roller	900	7 $\frac{1}{2}$	4 $\frac{5}{8}$	6	6AS8-7	11784	5	6AR8-7	11785
8	2	Seal Roller	900	9 $\frac{1}{2}$	6	8	8AS8-7	11786	6 $\frac{1}{2}$	8AR8-7	11787

**SEMI-STEEL WHEEL.** Cast iron enriched with steel for high load capacity, easy rolling and resistance to rough and chip littered floors. Smooth, machined treads reduce floor damage and noise.

5	2	Roller	900	6 $\frac{1}{2}$	3 $\frac{15}{16}$	8	5AS1-2	11754	7	5AR1-2	11755
6	2	Roller	900	7 $\frac{1}{2}$	4 $\frac{5}{8}$	9	6AS1-2	11758	8	6AR1-2	11759
8	2	Roller	900	9 $\frac{1}{2}$	6	12	8AS1-2	11760	11	8AR1-2	11761

# **Bassick HONCHO 900 CASTERS WITH COMBINATION SWIVEL LOCKS AND WHEEL BRAKES.**

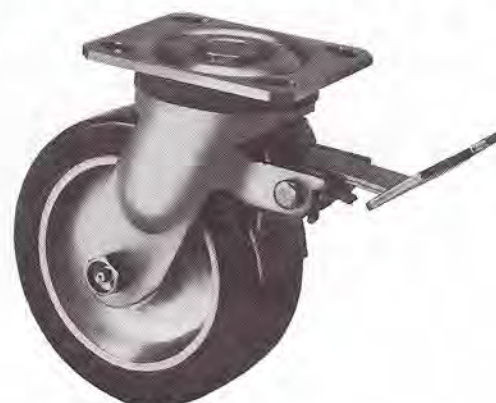
**Castered equipment weighing up to 3600 lbs. held firmly in place by easily applied brakes.**

**SERIES B AS, 5" 6" & 8" DIA. WHEELS.**

Foot operated pedal simultaneously locks wheel from rolling and swivel from turning. Castered equipment held firmly in place. Easy upward pressure on pedal releases brakes on both swivel and wheel to restore full mobility

**Swivel:** Supplied Standard with sealed swivel bearings to retain lubricant and exclude contaminants. Heat treat hardened bearing races for easier swiveling and long life.

**Finish:** Zinc Chromate for superior corrosion resistance.



**B6AS3R-7**

Bolt hole spacing 2<sup>5</sup>/<sub>8</sub>" x 3<sup>5</sup>/<sub>8</sub>"  
 slotted to 3" x 3"  
 Mounting bolt dia. 3/8"  
 Top plate size 4" x 4<sup>1</sup>/<sub>2</sub>"

WHEEL			Load Cap. Lbs.	Caster Height In.	SWIVEL CASTER			
Dia. In.	Tread Width In.	Bearing Type			Swivel Radius In.	Approx. Weight Lbs.	Bassick No.	Stand EDP No.

**BACO/SOFT RUBBER TREAD WHEEL.** Soft rubber tread molded to hard rubber core provides floor and load protection and quiet operation. Recommended for hand pushed equipment on hard floors.

5	2	Roller	425	6-1/2	3-15/16	6-1/2	B5AS6-2	12253
6	2	Roller	475	7-1/2	4-5/8	8	B6AS6-2	12254

**ALCORE/RUBBER TREAD WHEEL.** Soft rubber tread bonded to aluminum core provides maximum floor and load protection, impact strength and quiet operation. Recommended for hand pushed or conveyor towed operation on hard floors. Supplied standard with sealed roller wheel bearing.

5	2	Seal Roller	450	6-1/2	3-15/16	6-1/2	B5AS3R-7	12339
6	2	Seal Roller	500	7-1/2	4-5/8	8	B6AS3R-7	12340
8	2	Seal Roller	600	9-1/2	6	11	B8AS3R-7	12341

**BRAVOTHANE Wheel.** Tough, resilient polyurethane tread interlocked to polypropylene core. Provides quiet service with floor protection for hand pushed applications. Excellent resistance to corrosion. Use on hard floors and carpet.

5	2	Seal Roller	700	6-1/2	3-15/16	5	B5AS8P-7	15042
6	2	Seal Roller	750	7-1/2	4-5/8	6	B6AS8P-7	15045
8	2	Seal Roller	750	9-1/2	6	8	B8AS8P-7	15048

**BRAVO WHEEL.** High impact polypropylene material for high load capacity and floor protection. Impervious to water, acid and most chemicals. Recommended for hand pushed equipment on hard floors and carpets. Roller bearing wheels for easy rolling.

5	2	Seal Roller	650	6-1/2	3-15/16	5	B5AS8M-7	12259
6	2	Seal Roller	700	7-1/2	4-5/8	6-1/2	B6AS8M-7	12260
8	2	Seal Roller	900	9-1/2	6	7-1/2	B8AS8M-7	12261

**HONCHO/POLYURETHANE Tread Wheel.** Tough, resilient polyurethane mechanically interlocked to husky die cast aluminum core for extra abuse conditions.

5	2	Seal Roller	900	6-1/2	3-15/16	6-1/2	B5AS3P-7	12803
6	2	Seal Roller	900	7-1/2	4-5/8	7-1/2	B6AS3P-7	12813
8	2	Seal Roller	900	9-1/2	6	9	B8AS3P-7	12823

**CANAPHIN WHEEL** Phenolic resin plastic reinforced with new low water absorption macerated canvas. High load capacity, impact strength, floor protection and easy, quiet rolling. Resistant to many chemicals, acids, solvents, and water solutions. Operating temperatures from -40°F to +300°F. Clean, non-marking wheel for use on hand pushed and power towed equipment on hard, smooth floors or carpet. Supplied standard with sealed roller bearing in wheel.

5	2	Seal Roller	900	6-1/2	3-15/16	6	B5AS8-7	12262
6	2	Seal Roller	900	7-1/2	4-5/8	7-1/2	B6AS8-7	12263
8	2	Seal Roller	900	9-1/2	6	8-1/2	B8AS8-7	12264

# **Bassick** HONCHO 900 SWIVEL LOCK CASTERS

Swivel lock casters easily become rigid casters for easy trailing

## SERIES AS SL4 5", 6", & 8" DIA. WHEELS

Hand operated plunger engages to lock swivel caster in any of four directions obtaining the easy trailing of rigid casters. When released, all swivel casters allow maximum freedom of travel for difficult paths.

**Swivel:** Supplied Standard with sealed swivel bearing to retain lubricant and exclude contaminants. Heat treat hardened bearing races for easier swiveling and long life.

**Finish:** Zinc Chromate for superior corrosion resistance.



**8AS3P-7 SL4**

Bolt hole spacing  $2\frac{5}{8}'' \times 3\frac{5}{8}''$   
slotted to  $3'' \times 3''$   
Mounting bolt dia.  $\frac{3}{8}''$   
Top plate size  $4'' \times 4\frac{1}{2}''$

WHEEL			SWIVEL CASTER					
Dia. In.	Tread Width In.	Bearing Type	Load Cap. Lbs.	Caster Height In.	Swivel Radius In.	Approx. Weight Lbs.	Bassick No.	Stand EDP No.

**ALCORE/RUBBER TREAD WHEEL.** Soft rubber tread bonded to aluminum core provides maximum floor and load protection, impact strength and quiet operation. Recommended for hand pushed or conveyor towed operation on hard floors. Supplied standard with sealed roller wheel bearing.

5	2	Seal Roller	450	6-1/2	3-15/16	6	5AS3R-7 SL4	12336
6	2	Seal Roller	500	7-1/2	4-5/8	7-1/2	6AS3R-7 SL4	12337
8	2	Seal Roller	600	9-1/2	6	10	8AS3R-7 SL4	12338

**HONCHO/POLYURETHANE Tread Wheel.** Tough, resilient polyurethane mechanically interlocked to husky die cast aluminum core for extra abuse conditions.

5	2	Seal Roller	900	6-1/2	3-15/16	6	5AS3P-7 SL4	12802
6	2	Seal Roller	900	7-1/2	4-5/8	7	6AS3P-7 SL4	12812
8	2	Seal Roller	900	9-1/2	6	9	8AS3P-7 SL4	12822

**CANAPHIN WHEEL.** Phenolic Plastic reinforced with macerated canvas for high load capacity, easy rolling, floor protection and resistance to many chemicals and temperature up to 300°F Use on hard floors and carpet.

5	2	Seal Roller	900	6-1/2	3-15/16	5-3/4	5AS8-7SL4	12325
6	2	Seal Roller	900	7-1/2	4-5/8	6-3/4	6AS8-7SL4	12330
8	2	Seal Roller	900	9-1/2	6	8	8AS8-7SL4	12334



# ***Bassick* HONCHO 1200**

## **INDUSTRIAL AND MATERIAL HANDLING CASTERS**

**For platform trucks, fixture dollies, freight terminal trucks and cargo containers carrying up to 4,800 pounds in conveyor towed or hand pushed application.**

**SERIES ES SWIVEL, SERIES ER RIGID 5", 6" & 8" Dia. Wheels**

Deep formed circular rib in top plate for added strength and stiffness.

Heat treat hardened bearing races and balls for easier swiveling and long life.

Husky king pin and large diameter bearing races for impact and abuse resistance.

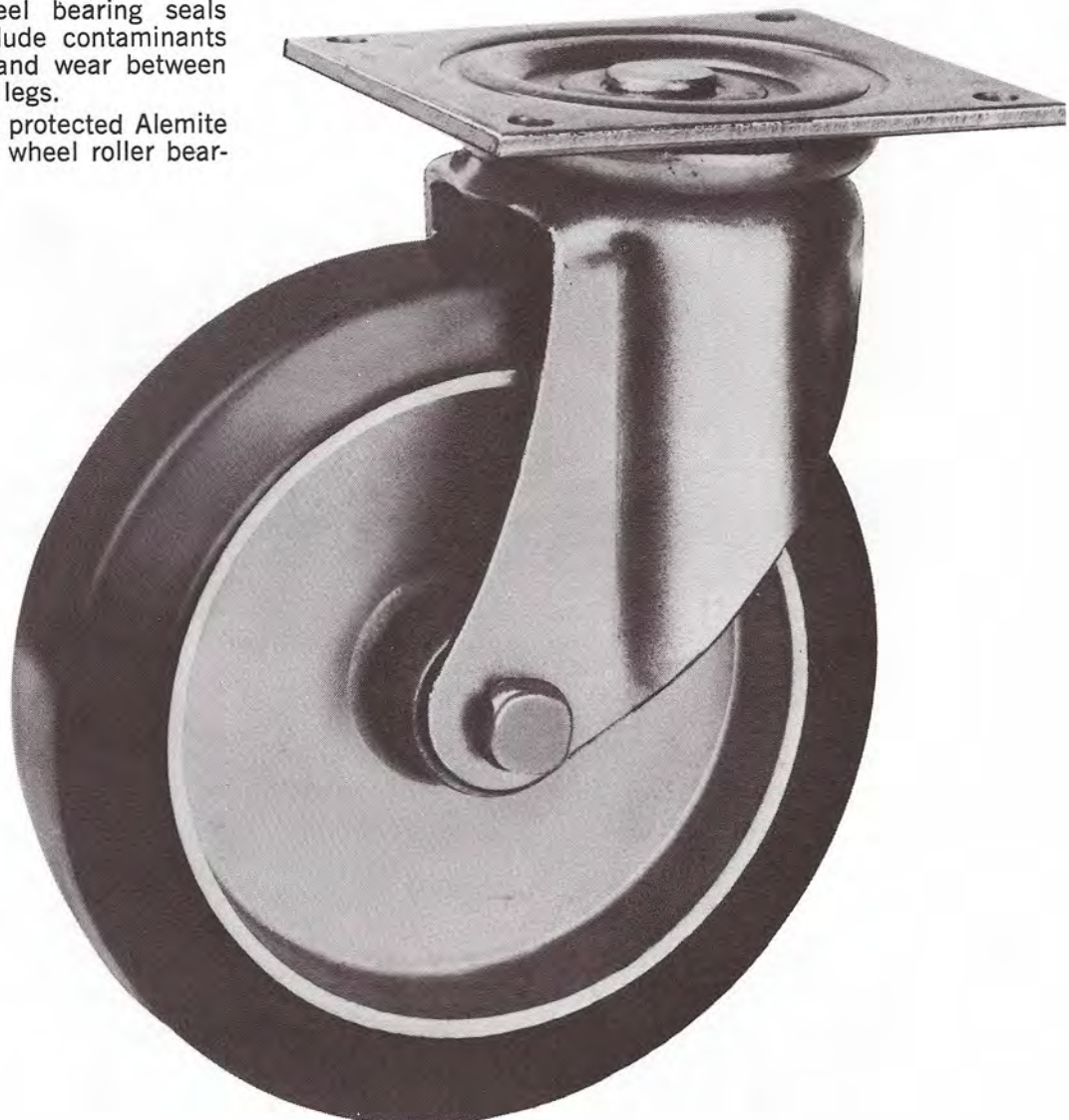
Easily accessible but protected Alemite lubrication fitting for swivel bearing.

Steel hub cap retains lubricant in swivel bearing keeping wheel and floor clean.

Zinc chromate finish for corrosion resistance over double that of ordinary zinc plate.

Polymer plastic wheel bearing seals retain lubricant, exclude contaminants and reduce friction and wear between wheel hub and caster legs.

Easily accessible but protected Alemite lubrication fitting for wheel roller bearings.



8ES3P-7

Bolt Hole spacing  $4\frac{1}{8}$ " x  $4\frac{1}{2}$ "  
 Mounting bolt dia.  $\frac{3}{8}$ "  
 Top plate size 5" x  $5\frac{1}{2}$ "



WHEEL			Load Cap. Lbs.	Caster Height In.	SWIVEL CASTER				RIGID CASTER		
Dia. In.	Tread Width In.	Bearing Type			Swivel Radius In.	Approx. Weight In.	Bassick No.	Stand. EDP No.	Approx. Weight Lbs.	Bassick No.	Stand. EDP No.

**ALCORE/RUBBER TREAD WHEEL.** Soft rubber tread bonded to aluminum core provides maximum floor and load protection, impact strength and quiet operation. Recommended for hand pushed or conveyor towed operation on hard floors.

5	2	Seal Roller	450	6 $\frac{1}{2}$	4 $\frac{1}{2}$	7	5ES3R-7	12354	5	5ER3R-7	12357
6	2	Seal Roller	500	7 $\frac{3}{8}$	5	8	6ES3R-7	12355	6	6ER3R-7	12358
8	2	Seal Roller	600	9 $\frac{1}{2}$	6 $\frac{1}{8}$	9 $\frac{1}{2}$	8ES3R-7	12356	9	8ER3R-7	12359

**HONCHO/POLYURETHANE Tread Wheel.** Tough, resilient polyurethane mechanically interlocked to husky die cast aluminum core for extra abuse conditions.

5	2	Seal Roller	1050	6 $\frac{1}{2}$	4 $\frac{1}{2}$	7	5ES3P-7	12806	6	5ER3P-7	12805
6	2	Seal Roller	1200	7 $\frac{3}{8}$	5	7 $\frac{1}{2}$	6ES3P-7	12815	6 $\frac{1}{2}$	6ER3P-7	12814
8	2	Seal Roller	1200	9 $\frac{1}{2}$	6 $\frac{1}{8}$	9 $\frac{1}{2}$	8ES3P-7	12829	8	8ER3P-7	12826

**ATLASITE Wheel.** Water resistant, non marking molded hard rubber wheel combines high load capacity and easy rolling with floor protection. Recommended for hand pushed equipment on hard floors and carpet.

5	2	Roller	600	6 $\frac{1}{2}$	4 $\frac{1}{2}$	7 $\frac{1}{2}$	5ES9-2	11822	6	5ER9-2	11823
6	2	Roller	650	7 $\frac{3}{8}$	5	9	6ES9-2	11826	7 $\frac{1}{2}$	6ER9-2	11827
8	2	Roller	750	9 $\frac{1}{2}$	6 $\frac{1}{8}$	11 $\frac{1}{2}$	8ES9-2	11828	10	8ER9-2	11829

**CANAPHIN WHEEL** Phenolic resin plastic reinforced with new low water absorption macerated canvas. High load capacity, impact strength, floor protection and easy, quiet rolling. Resistant to many chemicals, acids, solvents, and water solutions. Operating temperatures from -40°F to +300°F. Clean, non-marking wheel for use on hand pushed and power towed equipment on hard, smooth floors or carpet. Supplied standard with sealed roller bearing in wheel.

5	2	Seal Roller	1000	6 $\frac{1}{2}$	4 $\frac{1}{2}$	7	5ES8-7	11830	5 $\frac{1}{2}$	5ER8-7	11831
6	2	Seal Roller	1200	7 $\frac{3}{8}$	5	8	6ES8-7	11832	6	6ER8-7	11833
8	2	Seal Roller	1200	9 $\frac{1}{2}$	6 $\frac{1}{8}$	9	8ES8-7	11834	7 $\frac{1}{2}$	8ER8-7	11835

**SEMI-STEEL Wheel.** Cast iron enriched with steel for high load capacity, easy rolling and resistance to rough and chip littered floors. Smooth, machined treads reduce floor damage and noise.

5	2	Roller	1200	6 $\frac{1}{2}$	4 $\frac{1}{2}$	9	5ES1-2	11802	7 $\frac{1}{4}$	5ER1-2	11803
6	2	Roller	1200	7 $\frac{3}{8}$	5	10 $\frac{1}{2}$	6ES1-2	11806	9	6ER1-2	11807
8	2	Roller	1200	9 $\frac{1}{2}$	6 $\frac{1}{8}$	14	8ES1-2	11808	12 $\frac{1}{4}$	8ER1-2	11809

# **Bassick HONCHO 1650**

## **Heavy Duty Industrial and Material Handling Casters**

### **Series OS Swivel, OR Rigid**

5", 6" and 8" dia. wheels, 2" tread width

### **Series HS Swivel, HR Rigid**

6", 8" & 10" Dia. wheel, 2 1/2" tread width

Impact resistant casters for power handling and high abuse operating conditions, rough floors and rough handling for carrying up to 6600 lbs. total load.

Heavy duty industry standard bolt hole pattern.

Oversized heat treat hardened swivel bearing raceways withstand impact, swivel freely, and support heavy loads.

Formed swivel bearing seals retain lubricant and exclude contaminants to prolong caster life.

Heavy interlocking King pin prevents loosening and stretching under load for continued performance.

Easily accessible, protected Alemite lubrication fitting for swivel bearing.

Zinc Chromate finish provides corrosion resistance over double that of ordinary zinc plate.

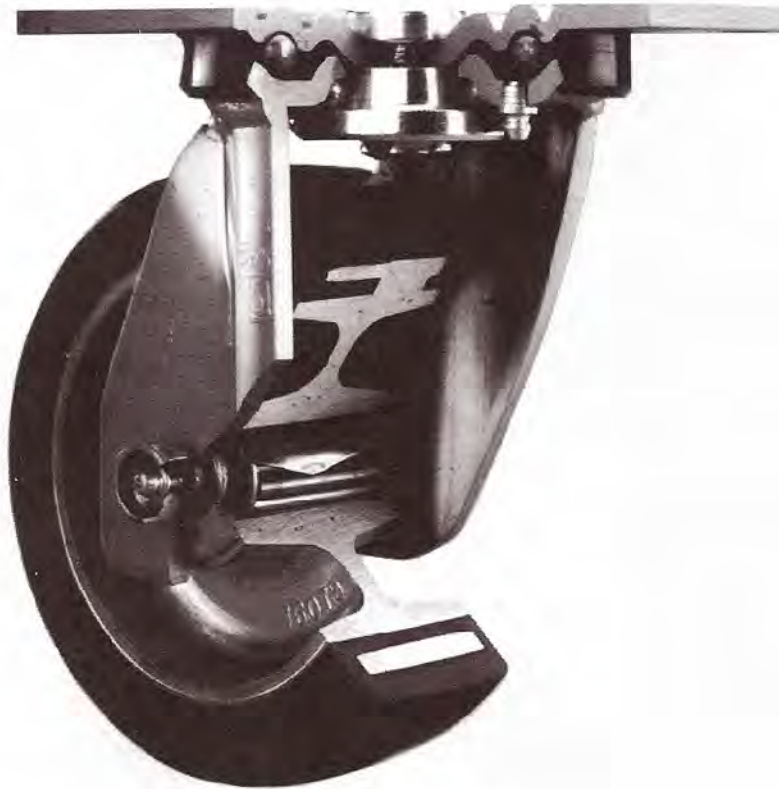
Wrap around caster horn legs support swivel bearing cup under point of maximum loading.

Smooth contoured wheels have greater core strength and are easy to clean and keep clean.

Aluminum core polyurethane and rubber tread wheels have mechanical tread lock for superior performance under heavy loads and abuse.

Easily accessible, protected Alemite lubrication fitting for wheel roller bearing

Sealed wheel bearing keeps lubricant in, contaminates out.



**8HS3R-7**



8HS3P-7

Bolt hole spacing  $2\frac{7}{16}'' \times 4\frac{15}{16}''$   
 slotted to  $3\frac{3}{8}'' \times 5\frac{1}{4}''$ .  
 Mounting bolt dia.  $\frac{1}{2}''$ .  
 Top plate size  $4\frac{1}{2}'' \times 6\frac{5}{16}''$ .



8HR3P-7

OS SERIES			Load Cap. Lbs.	Caster Height In.	SWIVEL				RIGID		
Wheel Dia. In.	Wheel Tread Width In.	Wheel Bearing Type			Swivel Radius In.	Approx. Weight Lbs.	Bassick No.	Stand EDP. No.	Approx. Weight Lbs.	Bassick No.	Stand EDP. No.

**ALCORE/RUBBER TREAD WHEEL.** Soft rubber tread bonded to aluminum core provides maximum floor and load protection, impact strength and quiet operation. Recommended for hand pushed or conveyor towed operation on hard floors.

5	2	Seal Roller	450	6 $\frac{1}{2}$	4 $\frac{1}{8}$	7 $\frac{1}{4}$	50S3R-7	12648	5 $\frac{3}{4}$	50R3R-7	12660
6	2	Seal Roller	500	7 $\frac{1}{2}$	4 $\frac{7}{8}$	8 $\frac{1}{4}$	60S3R-7	12649	6 $\frac{1}{4}$	60R3R-7	12661
8	2	Seal Roller	600	9 $\frac{1}{2}$	6 $\frac{1}{8}$	9 $\frac{3}{4}$	80S3R-7	12650	7 $\frac{3}{4}$	80R3R-7	12662

**POLYURETHANE MOLD-ON TREAD WHEEL.** Tough abrasion-resistant polyurethane tread mechanically bonded to aluminum core provides high load capacity, quiet, easy rolling and floor protection.

5	2	Seal Roller	1300	6 $\frac{1}{2}$	4 $\frac{1}{8}$	7 $\frac{3}{4}$	50S3P-7	12651	5 $\frac{3}{4}$	50R3P-7	12663
6	2	Seal Roller	1500	7 $\frac{1}{2}$	4 $\frac{7}{8}$	8 $\frac{3}{4}$	60S3P-7	12652	6 $\frac{3}{4}$	60R3P-7	12664
8	2	Seal Roller	1650	9 $\frac{1}{2}$	6 $\frac{1}{8}$	11	80S3P-7	12653	9 $\frac{1}{4}$	80R3P-7	12665

**CANAPHIN WHEEL.** Phenolic resin plastic reinforced with new low water absorption macerated canvas. High load capacity, impact strength, floor protection and easy, quiet rolling. Resistant to many chemicals, acids, solvents, and water solutions. Operating temperatures from  $-40^{\circ}\text{F}$  to  $+300^{\circ}\text{F}$ . Clean, non-marking wheel for use on hand pushed or conveyor towed equipment on hard, smooth floors or carpet. Supplied standard with sealed roller bearing in wheel.

5	2	Seal Roller	1500	6 $\frac{1}{2}$	4 $\frac{1}{8}$	7 $\frac{1}{4}$	50S8-7	12654	5 $\frac{1}{2}$	50R8-7	12666
6	2	Seal Roller	1650	7 $\frac{1}{2}$	4 $\frac{7}{8}$	8 $\frac{1}{4}$	60S8-7	12655	6 $\frac{1}{2}$	60R8-7	12667
8	2	Seal Roller	1650	9 $\frac{1}{2}$	6 $\frac{1}{8}$	10	80S8-7	12656	9 $\frac{1}{4}$	80R8-7	12668

**SEMI STEEL WHEEL.** Cast iron enriched with steel for high load capacity, easy rolling and resistance to rough and chip littered floors. Smooth, machined treads reduce floor damage and noise.

5	2	Seal Roller	1500	6 $\frac{1}{2}$	4 $\frac{1}{8}$	10 $\frac{3}{4}$	50S1-2	12645	8 $\frac{3}{4}$	50R1-2	12657
6	2	Seal Roller	1650	7 $\frac{1}{2}$	4 $\frac{7}{8}$	12 $\frac{1}{2}$	60S1-2	12646	10 $\frac{3}{4}$	60R1-2	12658
8	2	Seal Roller	1650	9 $\frac{1}{2}$	6 $\frac{1}{8}$	15 $\frac{1}{2}$	80S1-2	12647	13 $\frac{3}{4}$	80R1-2	12659

HS SERIES			Load Cap. Lbs.	Caster Height In.	SWIVEL				RIGID		
Wheel Dia. In.	Wheel Tread Width In.	Wheel Bearing Type			Swivel Radius In.	Approx. Weight Lbs.	Bassick No.	Stand EDP. No.	Approx. Weight Lbs.	Bassick No.	Stand EDP. No.

**RUBBER MOLD-ON TREAD WHEEL.** Soft rubber tread mechanically bonded to aluminum core provides maximum floor and load protection and quiet operation with impact strength.

6	2 $\frac{1}{2}$	Seal Roller	550	7 $\frac{1}{2}$	4 $\frac{7}{8}$	9	6HS3R-7	12672	7 $\frac{3}{4}$	6HR3R-7	12684
8	2 $\frac{1}{2}$	Seal Roller	670	9 $\frac{1}{2}$	6 $\frac{1}{8}$	12	8HS3R-7	12673	10 $\frac{1}{2}$	8HR3R-7	12685
10	2 $\frac{1}{2}$	Seal Roller	800	11 $\frac{1}{2}$	7 $\frac{3}{8}$	16	10HS3R-7	12674	14	10HR3R-7	12686

**POLYURETHANE MOLD-ON TREAD WHEEL.** Tough abrasion-resistant polyurethane tread mechanically bonded to aluminum core provides high load capacity, quiet, easy rolling and floor protection.

6	2 $\frac{1}{2}$	Seal Roller	1650	7 $\frac{1}{2}$	4 $\frac{7}{8}$	11	6HS3P-7	12675	8 $\frac{1}{4}$	6HR3P-7	12687
8	2 $\frac{1}{2}$	Seal Roller	1650	9 $\frac{1}{2}$	6 $\frac{1}{8}$	12	8HS3P-7	12676	10 $\frac{1}{2}$	8HR3P-7	12688
10	2 $\frac{1}{2}$	Seal Roller	1650	11 $\frac{1}{2}$	7 $\frac{3}{8}$	16	10HS3P-7	12677	14	10HR3P-7	12689

**CANAPHIN WHEEL.** Phenolic resin plastic reinforced with new low water absorption macerated canvas. High load capacity, impact strength, floor protection and easy, quiet rolling. Resistant to many chemicals, acids, solvents, and water solutions. Operating temperatures from  $-40^{\circ}\text{F}$  to  $+300^{\circ}\text{F}$ . Clean, non-marking wheel for use on hand pushed and power moved equipment on hard, smooth floors or carpet. Supplied standard with sealed roller bearing in wheel.

6	2 $\frac{1}{2}$	Seal Roller	1650	7 $\frac{1}{2}$	4 $\frac{7}{8}$	9 $\frac{1}{2}$	6HS8-7	12678	8	6HR8-7	12690
8	2 $\frac{1}{2}$	Seal Roller	1650	9 $\frac{1}{2}$	6 $\frac{1}{8}$	12	8HS8-7	12679	10	8HR8-7	12691
10	2 $\frac{1}{2}$	Seal Roller	1650	11 $\frac{1}{2}$	7 $\frac{3}{8}$	13 $\frac{1}{2}$	10HS8-7	12680	11 $\frac{1}{2}$	10HR8-7	12692

**SEMI STEEL WHEEL.** Cast iron enriched with steel for high load capacity, easy rolling and resistance to rough and chip littered floors. Smooth, machined treads reduce floor damage and noise.

6	2 $\frac{1}{2}$	Seal Roller	1650	7 $\frac{1}{2}$	4 $\frac{7}{8}$	13 $\frac{1}{2}$	6HS1-2	12669	12 $\frac{1}{4}$	6HR1-2	12681
8	2 $\frac{1}{2}$	Seal Roller	1650	9 $\frac{1}{2}$	6 $\frac{1}{8}$	16 $\frac{1}{2}$	8HS1-2	12670	15	8HR1-2	12682
10	2 $\frac{1}{2}$	Seal Roller	1650	11 $\frac{1}{2}$	7 $\frac{3}{8}$	20 $\frac{1}{2}$	10HS1-2	12671	18 $\frac{1}{2}$	10HR1-2	12683

# Bassick

## STRONG, FORGED STEEL CASTERS

For Conveyor pulled fixture trucks carrying up to 12,000 pounds

**SERIES HA SWIVEL, SERIES HB RIGID** 5", 6" & 8" Dia. Wheels

Heavy, rugged casters with forged steel top plate and caster horn. Typical uses are on fixture trucks, engine stands, A frames and assembly line dollies. They combine free swiveling and long life, trouble free performance in one of the finest casters available.

**SWIVEL:** Large unit ball bearing on main caster load and tapered roller bearing for the king pin load.

**FINISH:** Bronze lacquer for rust prevention.



6HA2-2T

6HB2-2T

Bolt Hole Spacing:  $3\frac{3}{8}" \times 5\frac{1}{4}"$   
 Mounting Bolt Diameter:  $\frac{3}{8}"$   
 Top Plate Size  
 Swivel:  $5\frac{1}{4}" \times 7\frac{1}{8}" \times \frac{3}{8}"$   
 Rigid:  $4\frac{3}{4}" \times 6\frac{5}{8}" \times \frac{1}{2}"$

WHEEL			Load Cap. Lbs.	Caster Height In.	Swivel Radius In.	SWIVEL CASTER			RIGID CASTER		
Dia. In.	Tread Width In.	Bearing Type				Approx. Weight Lbs.	Bassick No.	Stand. EDP No.	Approx. Weight Lbs.	Bassick No.	Stand. EDP No.

**SEMI-STEEL** Wheel. Cast iron enriched with steel for high load capacity, easy rolling and resistance to rough and chip littered floors. Smooth, machined treads reduce floor damage and noise.

5	2½	Roller	2000	7⅝	4⅝	19	5HA1-2	10487	16	5HB1-2	10488
6	2½	Roller	2500	8⅞	5¼	22	6HA1-2	10631	18	6HB1-2	10635
8	2½	Roller	2500	10⅞	6⅝	28	8HA1-2	10723	22	8HB1-2	10727

**FORGED STEEL** Wheel. Very high impact and fatigue strength for heavy loads and rough operating conditions. For continuous service use 6" or 8" model with tapered roller bearings.

6	2½	Roller	3000	8⅞	5¼	25	6HA2-2	10633	20	6HB2-2	10637
6	2½	Taper Roller	3000	8⅞	5¼	25	6HA2-2T	11515	20	6HB2-2T	11516
8	2½	Roller	3000	10⅞	6⅝	30	8HA2-2	10725	25	8HB2-2	10729

## SUPER STRONG, WIDE WHEEL INDUSTRIAL CASTERS

For tow line trucks, assembly line fixture dollies carrying up to 6,000 pounds.

**SERIES S99 SWIVEL, SERIES S98 RIGID** 6" & 8" Dia. Wheels

Greater load capacity, floor protection and easy mobility is provided by larger swivel bearings and 2½" wide wheels.

**SWIVEL BEARING:** Hardened, double ball bearing of extra large size for greater strength.

**LUBRICATION:** Alemite fitting in for swivel bearing. Alemite fitting for wheel roller bearing.

**FINISH:** Heavy zinc plate for rust prevention.

**S6991-2**



Bolt Hole Spacing  $3\frac{3}{8}" \times 5\frac{1}{4}"$   
 Mounting Bolt Dia.  $\frac{1}{2}"$   
 Top Plate Size  $5 \times 6\frac{1}{4}"$

# HONCHO 1200

## COMBINATION SWIVEL LOCKS AND WHEEL BRAKES

SERIES BES X329 SWIVEL 5", 6" & 8" Dia. Wheels

A modified version of the Bassick Extra Service caster Series ES with the addition of a hand operated brake lever. It simultaneously locks the swivel action and keeps the wheel from rolling, holding equipment in a fixed location.

**SWIVEL:** Double ball bearing swivel to withstand heavy loads and rough treatment.

**FINISH:** Zinc Chromate for superior corrosive resistance.

**NOTE:** For very difficult braking applications, see position locks and levelling jacks, pages 48 and 49.



Bolt Hole Spacing:  $4\frac{1}{8}'' \times 4\frac{1}{2}''$   
 Mounting Bolt Diameter:  $\frac{3}{8}''$   
 Top Plate Size:  $5'' \times 5\frac{1}{2}'' \times \frac{1}{32}''$

WHEEL			Load Cap. Lbs.	Caster Height In.	SWIVEL CASTER			
Dia. In.	Tread Width In.	Bearing Type			Swivel Radius In.	Approx. Weight Lbs.	Bassick No.	Stand. EDP No.

**HONCHO/POLYURETHANE** Tread Wheel. Tough, resilient polyurethane mechanically interlocked to husky die cast aluminum core for extra abuse conditions.

5	2	Seal Roller	1050	$7\frac{9}{32}$	$4\frac{5}{16}$	9 $\frac{1}{2}$	B55ES3P-7X329	12807
6	2	Seal Roller	1200	$7\frac{25}{32}$	$4\frac{7}{8}$	10	B6ES3P-7X329	12817
8	2	Seal Roller	1200	$9\frac{7}{8}$	$5\frac{15}{16}$	12	B8ES3P-7X329	12828

**CANAPHIN** Wheel. Phenolic resin plastic reinforced with new low water absorption macerated canvas. High load capacity, impact strength, floor protection and easy, quiet rolling. Resistant to many chemicals, acids, solvents, and water solutions. Operating temperatures from -40°F to +300°F. Clean, non-marking wheel for use on hand pushed and powder moved equipment on hard, smooth floors or carpet. Supplied standard with sealed roller bearing in wheel.

5	2	Seal Roller	1000	$7\frac{9}{32}$	$4\frac{5}{16}$	9 $\frac{1}{2}$	B55ES8-7X329	11949
6	2	Seal Roller	1200	$7\frac{25}{32}$	$4\frac{7}{8}$	10 $\frac{1}{2}$	B6ES8-7X329	11950
8	2	Seal Roller	1200	$9\frac{7}{8}$	$5\frac{15}{16}$	11 $\frac{1}{2}$	B8ES8-7X329	11951

# Bassick HONCHO DEFENDER



## Honcho 900 Defender

### Corrosion Resistant Truck Caster

#### Series KS Swivel, KR Rigid

5", 6" and 8" diameter wheels, 2" tread width

CANAPHIN WHEEL Phenolic resin plastic reinforced with new low water absorption macerated canvas with plastic sleeve wheel bearing. With swivel bearing and wheel bearing fully packed with low temperature lubricant it provides excellent performance in **DEEP FREEZE** applications.

Ideally suited for **BLAST FREEZING**.

**BRAVO** polypropylene wheel with plastic sleeve wheel bearing provides an excellent and economical non-corrosive caster where temperature extremes are not a problem.

Bravothane wheel has polyurethane tread interlocked to polypropylene core.

For platform trucks, containers, animal cage and other caster applications in highly corrosive environment. For carrying up to 3600 lbs. total load.

Industry Standard Bolt hole pattern.

Heat treat hardened swivel bearing races and special alloy balls for easy action and long life.

Special tight rubber seals on swivel retain lubricant and exclude contaminant and wash solutions.

Special polymer finish resists corrosion for three times the life of ordinary casters. Protect against sea water, acids, alkalines and other harsh chemicals.

Easily accessible protected Alemite lubrication fitting in swivel bearing.

Performs better than stainless steel. Costs much less.

Recommended for sea food packing, meat packing installations and wherever corrosion is the major problem.



Bolt Hole Spacing: 2<sup>5</sup>/<sub>8</sub>" x 3<sup>5</sup>/<sub>8</sub>"  
 slotted to 3" x 3"  
 Mounting Bolt Dia. 3/8"  
 Top Plate Size: 4" x 4 1/2"

## DEFENDER CASTER TABLES

WHEEL			SWIVEL CASTER						RIGID CASTER		
Dia. In.	Tread Width In.	Bearing Type	Load Cap. Lbs.	Caster Height In.	Swivel Radius In.	Approx Weight Lbs.	Bassick No.	Stand. EDP No.	Approx Weight Lbs.	Bassick No.	Stand. EDP No.

**BRAVOTHANE Wheel.** Tough, resilient polyurethane tread interlocked to strong polypropylene core. Provides quiet service, long life and floor protection in hand pushed applications. Excellent resistance to corrosion. Use on hard floors or carpet.

5	2	Self Lube	700	6 1/2	3 15/16	5 1/2	5KS8PT BLU	15024	4 1/4	5KR8PT BLU	15025
6	2	Self Lube	750	7 1/2	4 5/8	6 1/2	6KS8PT BLU	15026	5	6KR8PT BLU	15027
8	2	Self Lube	750	9 1/2	6	8 1/2	8KS8PT BLU	15028	8	8KR8PT BLU	15029

**BRAVO Wheel.** High impact polypropylene material for high load capacity and floor protection. Impervious to water, acid and most chemicals. Recommended for hand pushed equipment on hard floors and carpets. Self lubricating, plastic wheel bearings for mobility and use in corrosive conditions.

5	2	Plastic	650	6 1/2	3 15/16	4 3/4	5KS8MT BLU	12698	4 1/4	5KR8MT BLU	12701
6	2	Plastic	700	7 1/2	4 5/8	5 3/4	6KS8MT BLU	12702	4 3/4	6KR8MT BLU	12705
8	2	Plastic	900	9 1/2	6	7 3/4	8KS8MT BLU	12706	5 3/4	8KR8MT BLU	12709

**CANAPHIN WHEEL** Phenolic resin plastic reinforced with new low water absorption macerated canvas. High load capacity, impact strength, floor protection and resistance to many chemicals, solvents, and water solutions. Operating temperature range - 40°F. up to 300°F. Standard with special plastic sleeve wheel bearing for high corrosion resistance.

5	2	Plastic	900	6 1/2	3 15/16	5	5KS8T BLU	12871	4 1/2	5KR8T BLU	12876
6	2	Plastic	900	7 1/2	4 5/8	6	6KS8T BLU	12872	5	6KR8T BLU	12875
8	2	Plastic	900	9 1/2	6	8	8KS8T BLU	12873	6 1/2	8KR8T BLU	12874

# Bassick CASTERS FOR FOOD SERVICE AND FOOD HANDLING

Made in accordance with specifications of NSF Series NS68 Swivel

## SERIES NS68 SWIVEL 3-1/2", 4" & 5" DIA. WHEELS

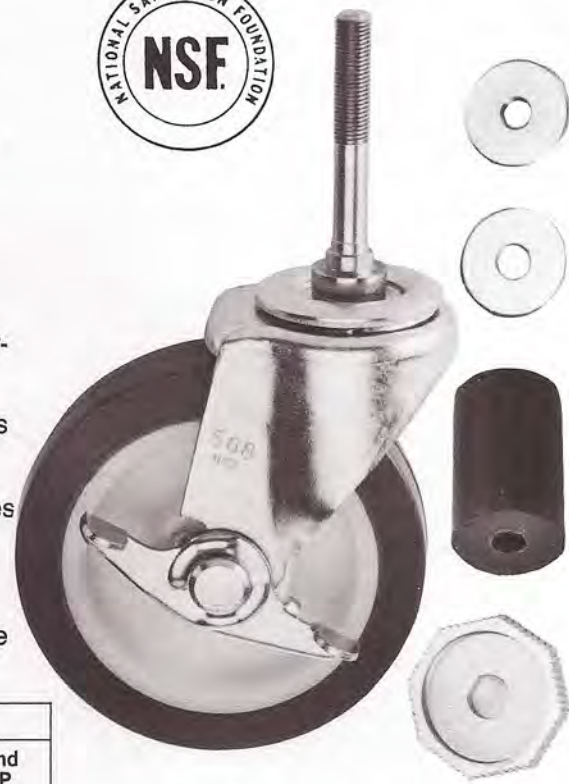
For use on Food Service Carts, Dish Carts, Process Tables, and Commercial Kitchen Equipment.

For food handling equipment made from tubing. Resilient tread wheels combine quiet, easy performance with floor protection.

Use with rubber expanding adapter kits to fit the most popular tubing sizes in the food handling field.

Bright Zinc Finish for corrosion resistance and clean appearance.

4" and 5" casters supplied with easy action step on side brake where shown with prefix "SB".



WHEEL			SWIVEL CASTER					
Dia. In.	Tread Width In.	Bearing Type	Load Cap. Lbs.	Caster Height In.	Swivel Radius In.	Approx. Weight Lbs.	Bassick No.	Stand EDP No.

**BACO Wheel.** Soft rubber tread molded to hard rubber core provides floor and load protection with quiet operation. Recommended for hand pushed equipment on hard floors.

3-1/2	1-5/16	Self Lube	140	5-1/32	3-1/16	2	NS35686 X973	15004
-------	--------	-----------	-----	--------	--------	---	--------------	-------

**BRAVOTHANE Wheel.** Tough, resilient polyurethane tread interlocked to polypropylene core. Provides quiet service with floor protection in hand pushed applications. Excellent resistance to corrosion.

4	1-1/4	Self Lube	250	5-1/8	3-1/2	2-1/2	NS4688P X973	15005
4	1-1/4	Self Lube	250	5-1/8	3-1/2	2-1/2	SBNS4688P X973	15022
5	1-1/4	Self Lube	250	6-1/8	4-5/32	2-3/4	NS5688PX973	15006
5	1-1/4	Self Lube	250	6-1/8	4-5/32	2-3/4	SBNS5688PX973	15023

## RUBBER EXPANDING ADAPTER KITS

FITS TUBING I.D. RANGE	ADAPTER Bassick No.	Stand EDP No.
0.875" to 1.00"	EZ 7/8" Kit	15001
1.125" to 1.250"	EZ 1-1/8" Kit	15002
1.500" to 1.625"	EZ 1-1/2" Kit	15003

## ECONOMICAL DOLLY CASTERS

Made to specifications of NSF

### SERIES 61 SWIVEL, SERIES 38 RIGID 3" DIA. WHEELS

Husky casters for use in food service and food handling where heavy loads and intermittent service are anticipated and low first cost is essential.

**SWIVEL:** Single level, large diameter ball bearing swivel for economy and long life.

**FINISH:** Heavy zinc plate finish for rust prevention and bright appearance.



NS 3619

WHEELS			TOP PLATE						CASTER NO.			
Dia. In.	Tread Width In.	Bearing Type	Load Cap. Lbs.	Caster Height In.	Caster Type	Swivel Radius In.	Bolt Hole Spacing In.	Mount Bolt Dia. In.	Plate Size In.	Approx. Weight Lbs.	Bassick No.	Stand EDP No.

**ALASITE Wheel.** Water resistant, non-marking molded hard rubber combines high load capacity with easying rolling and floor protection.

3	1 1/4	Self Lube	210	3 11/16	Swivel Rigid	2 13/32	2 3/8 x 3 7/16	5/16	3 1/8 x 4 1/8	1 3/4	NS 3619	10140
						—	1 3/16 x 4		2 1/2 x 5	1 1/2	NS 3389	15065



# HONCHO 900 TEXTILE CASTERS

Series AS Swivel, Series AR Rigid

5", 6" and 8" Dia. Wheels,

For Textile Mills, Carpet Plants, Tire Cord Plants, Laundries, Clothing Plants, Packaging Rooms and Wherever Floor Litter Could Bind Caster Wheels.

Large diameter, non-rotating thread guards, locked to caster, fit tightly to wheel preventing pick up of string, thread, plastic strips, and other litter at the wheel hub that binds wheel rolling.

All the quality features of the BASSICK HONCHO 900 SERIES:

Heat Treat Hardened Swivel Bearings

Sealed Wheel Roller Bearings

Zinc Chromate finish for Corrosion Resistance

Supplied with easy rolling BASSICK CANAPHIN hard tread phenolic plastic wheels for high load capacity, easy rolling, and BASSICK polyurethane, resilient tread, for floor protection and quiet rolling.



Bolt hole spacing 2<sup>5/8</sup>" × 3<sup>5/8</sup>"  
slotted to 3" × 3"  
Mounting bolt dia. 3/8"  
Top plate size 4" × 4<sup>1/2</sup>"

WHEEL					SWIVEL CASTER			
Dia. In.	Tread Width In.	Bearing Type	Load Cap. Lbs.	Caster Height In.	Swivel Radius In.	Approx. Weight Lbs.	Bassick No.	Stand EDP No.

**HONCHO/POLYURETHANE Tread Wheel.** Tough, resilient polyurethane tread mechanically interlocked to husky die cast aluminum core for extra abuse conditions with quiet and floor protection.

5	2	Seal Roller	900	6-1/2	3-15/16	5-1/2	5AS3P-7-1	15032
6	2	Seal Roller	900	7-1/2	4-5/8	6-1/2	6AS3P-7-1	15036
8	2	Seal Roller	900	9-1/2	6	8-1/2	8AS3P-7-1	15040

**CANAPHIN WHEEL** Phenolic plastic reinforced with low water absorption macerated canvas. High load capacity, impact strength with floor protection and quiet, easy rolling. Clean, non-marking wheel for use on hand pushed equipment on hard floors or carpets.

5	2	Seal Roller	900	6-1/2	3-15/16	5	5AS8-7-1	15030
6	2	Seal Roller	900	7-1/2	4-5/8	6	6AS8-7-1	15034
8	2	Seal Roller	900	9-1/2	6	8	8AS8-7-1	15038

RIGID CASTER		
Approx. Weight Lbs.	Bassick No.	Stand. EDP No.

4-1/2	5AR3P-7-1	15033
5	6AR3P-7-1	15037
7	8AR3P-7-1	15040

4-1/2	5AR8-7-1	15031
5	6AR8-7-1	15035
6-1/2	8AR8-7-1	15039

## LOW HEIGHT INDUSTRIAL CASTERS FOR TEXTILE USE

With Thread Guards for Textile Use Series H99 Swivel, Series H98 Rigid 4" Dia. Wheels

Designed for heavy cloth handling trucks, pirn, cone and bobbin trucks operating in textile plants. These casters have all the load capacity and strength necessary for long life performance in conditions of abuse and carrying heavy weights.

**SWIVEL:** Double ball bearing, hardened swivel construction for easy swiveling and long life.

**FINISH:** Heavy Zinc for increased corrosion resistance and clean appearance.



# Bassick

## PLATE MOUNT BUSINESS MACHINE CASTERS

### Low Height, Wide Wheels

#### SERIES 00, S68, S99 SWIVEL, SERIES 08 RIGID

The principal requirements for casters in this specialized area are very heavy load capacity, low overall height and floor or carpet protection. Bassick achieves this with casters with dual wheels or very wide wheels. The increased tread width provides load support as well as floor and carpet protection.

The Bassick Diamond Arrow Swivel construction with its single set of ball bearings operating on two levels provides both low height and the added strength needed.

The strongest and most satisfactory method of attaching any caster is by the use of a mounting plate, bolted on all four corners, to a suitably strong, horizontal surface on the bottom of the machine to be castered. This insures full support to the caster and its heavily loaded swivel bearing, holding it in the correct position with the caster top plate parallel to the floor for proper swiveling.

**SWIVEL:** Double level, hardened full ball bearing for low height and strength. Series 00 and S68.

Hardened double ball bearing for extra load capacity, Series S99.

**FINISH:** Heavy zinc plate for rust prevention and bright appearance.

**WHEEL BRAKES:** Thumbscrew type supplied where indicated with prefix WB.



9009PP



S3688-2



S3998-2

WHEELS			Load Cap. Lbs.	Caster Height In.	Caster Type	Swivel Radius In.	TOP PLATE			Approx. Wt. Lbs.	CASTER NO.	
Dia. In.	Tread Width In.	Bearing Type					Bolt Hole Spacing In.	Mounting Bolt Dia. In.	Plate Size In.		Bassick No.	Stand. EDP No.

**BACO** Wheel. Soft rubber tread molded to hard rubber core for floor protection and quiet performance. Use on hard floors.

2	1 $\frac{3}{8}$ ea.	Self Lube	125	2 $\frac{7}{32}$	Swivel	2	1 $\frac{3}{4}$ x2 $\frac{7}{8}$ -3	$\frac{5}{16}$	2 $\frac{3}{4}$ x3 $\frac{3}{4}$	1	9006RP*	12372
---	---------------------	-----------	-----	------------------	--------	---	-------------------------------------	----------------	----------------------------------	---	---------	-------

**ATLASITE** Wheel. Non-marking, molded hard rubber for greater load capacity and easier rolling. Recommended for use on carpet.

2	1 $\frac{3}{8}$	Self Lube	180	2 $\frac{7}{32}$	Swivel	2	1 $\frac{3}{4}$ x2 $\frac{7}{8}$ -3	$\frac{5}{16}$	2 $\frac{3}{4}$ x3 $\frac{3}{4}$	1	9009RP*	12374
---	-----------------	-----------	-----	------------------	--------	---	-------------------------------------	----------------	----------------------------------	---	---------	-------

**BRAVO** Wheel. Polypropylene, non-marking, solid wheel for high load capacity. Recommended for use on carpet.

2 $\frac{5}{8}$	1 $\frac{1}{2}$	Self Lube	250	3 $\frac{5}{8}$	Swivel	2 $\frac{1}{2}$	1 $\frac{3}{4}$ x2 $\frac{7}{8}$ -3	$\frac{5}{16}$	2 $\frac{3}{4}$ x3 $\frac{3}{4}$	1	25688M	12421
-----------------	-----------------	-----------	-----	-----------------	--------	-----------------	-------------------------------------	----------------	----------------------------------	---	--------	-------

**CANAPHIN** Wheel Phenolic resin plastic reinforced with new low water absorption macerated canvas for strength. Extra wide wheel tread for added floor and carpet protection. Supplied standard with roller bearing in wheel.

3	1 $\frac{3}{8}$	Roller	650	3 $\frac{31}{32}$	Swivel	2 $\frac{13}{32}$	2 $\frac{3}{8}$ x3 $\frac{3}{8}$	$\frac{5}{16}$	3 $\frac{1}{8}$ x4 $\frac{1}{8}$	2 $\frac{1}{2}$	S3688-2	10150
3	1 $\frac{3}{8}$	Roller	650	3 $\frac{31}{32}$	Swivel	2 $\frac{13}{32}$	2 $\frac{3}{8}$ x3 $\frac{3}{8}$	$\frac{5}{16}$	3 $\frac{1}{8}$ x4 $\frac{1}{8}$	2 $\frac{1}{2}$	WBS3688-2	10154
3	1 $\frac{3}{8}$	Roller	650	3 $\frac{31}{32}$	Rigid	—	1 $\frac{1}{8}$ x3 $\frac{3}{8}$	$\frac{5}{16}$	2 $\frac{1}{2}$ x4 $\frac{1}{8}$	2 $\frac{1}{4}$	S3088-2	10123
3	1 $\frac{3}{8}$	Roller	900	4 $\frac{5}{16}$	Swivel	3 $\frac{1}{8}$	2 $\frac{3}{8}$ x3 $\frac{3}{8}$	$\frac{5}{16}$	3 $\frac{5}{16}$ x4 $\frac{5}{16}$	3 $\frac{1}{4}$	S3998-2	10216

WB Prefix, Wheel Brake Caster.

\*Dual Wheel Caster.

LOAD RATINGS BASED ON SHORT DISTANCE TRAVEL, SMOOTH FLOORS AND MINIMAL IMPACT.

# THREADED STEM BUSINESS MACHINE CASTERS

## Series 00 and 68 Swivel

Many difficult applications can only be satisfied by using casters with threaded stems. This threaded stem is the answer when there is no area on the base to which a caster with a mounting plate can be attached and where there is no way to attach a suitably strong socket.

The threaded stem of the caster can be put through a drilled hole in the base and secured with a nut or threaded full length into a tapped hole. Do not attempt to levelize casters with these size threads. If necessary to adjust for height, use a spacer washer between the machine base and the top of the caster to support the load on the swivel bearing.

**SWIVEL BEARING:** Double level, hardened, full ball bearing swivel.

**FINISH:** Heavy zinc plate for rust prevention and bright appearance.

**THREAD SIZE:** 1/2" diameter by 1/8" or 1/2" long as indicated.



3689XTS 1/2 x 1 1/2

WHEEL			Load Cap. Lbs.	Caster Height In.	SWIVEL CASTER			
Dia. In.	Tread Width In.	Bearing Type			Swivel Radius In.	Appx. Wgt. Lbs.	Bassick No.	Stand. EDP No.

**ATLASITE** Wheel. Non-Marking molded hard rubber for greater load capacity and easier rolling. Recommended for use on carpet.

2	1 1/8 ea.	Self Lube	180	2 5/8	2	1	9009XTS 1/2 x 1 1/2 RP *	10027
3	1 1/4	Self Lube	210	3 3/8	2 1 1/8	1 1/4	3689XTS 1/2 x 1 1/2	10148

**CANAPHIN** Wheel Phenolic resin plastic reinforced with new low water absorption macerated canvas for strength. Extra wide wheel tread for added floor and carpet protection. Supplied standard with roller bearing in wheel.

2 5/8	1 1/2	Roller	250	3 1/2	2 1/8	1 1/2	H25688-2XTS 1/2 x 1 1/8	10095
-------	-------	--------	-----	-------	-------	-------	-------------------------	-------

\*Dual Wheel Caster.

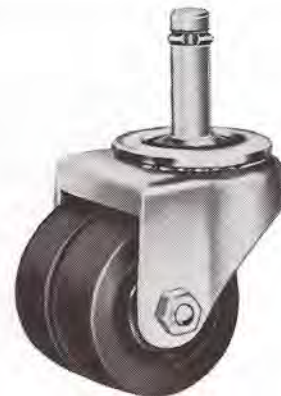
## DUAL WHEEL BUSINESS MACHINE CASTERS WITH X2 GRIP RING STEM

These casters use a 7/16" diameter stem with grip ring that fits any of the sockets shown on page 16 or it can be inserted directly into a hole 2 3/4" inside diameter, 1 5/8" deep.

These casters utilize two wheels for additional load capacity and floor protection.

**SWIVEL:** Double level, hardened, full ball bearing for easy action and long, long life.

**FINISH:** Heavy zinc plate for rust prevention and bright appearance.



9009 x 2RP

WHEEL			Load Cap. Lbs.	Caster Height In.	SWIVEL CASTER			
Dia. In.	Tread Width In.	Bearing Type			Swivel Radius In.	Appx. Wgt. Lbs.	Bassick No.	Stand. EDP No.

**BACO** Wheel. Non-marking, non-staining soft rubber tread molded to hard rubber core for floor protection and quiet operation. Recommended for use on hard floors.

2	1 3/8 ea.	Self Lube	125	2 5/8	2	1	9006X2RP	12373
---	-----------	-----------	-----	-------	---	---	----------	-------

**ATLASITE** Wheel. Non-marking molded hard rubber for greater load capacity and easier rolling. Recommended for use on carpet.

2	1 3/8 ea.	Self Lube	180	2 5/8	2	1	9009X2RP	12375
---	-----------	-----------	-----	-------	---	---	----------	-------

## THREADED STEM HEAVY DUTY GLIDES

These glides are for threading into tapped holes in bases and can be used to levelize furniture and equipment. Supplied with metal, rubber and plastic bases as listed.

Base Dia. In.	Base Type	GLIDE NUMBER	
		Bassick No.	Stand. EDP No.

### 1/4"-20x1 1/2" THREADED STEM

1 3/8	Nylon	NL185XTS 1/4-20x1 1/2RP	10828
-------	-------	-------------------------	-------

### 5/16"-18x1 1/2" THREADED STEM

1 3/8	Zinc Plated Steel	L185XTS 5/16x1 1/2RP	10825
1 3/8	Nylon	NL185XTS 5/16x1 1/2RP	10829
1 7/8	Zinc Plated Steel	L165XTS 5/16x1 1/2RP	11978

### 3/8"-16x1 1/2" THREADED STEM

1 3/8	Rubber	LR180XTS 3/8x1 1/2RP	10822
1 3/8	Zinc Plated Steel	L180XTS 3/8x1 1/2RP	10819
2	Polypropylene	NL160XTS 3/8x1 1/2RP	10808



## GROOVED WHEEL CASTERS

For production line trucks and dollies operating on inverted angle iron track

V-grooved casters provide accurate positioning for production line fixtures and assembly dollies. Trucks, running on this wheel and inexpensive, versatile angle iron tracks, can be guided through narrow clearances and into blind areas such as autoclave ovens.

Angle iron tracks are self-cleaning so that rivets, scrap, setscrews and other debris fall off without impairing wheel travel or disrupting service.

An excellent, economical arrangement for straight back-and-forth wheel travel.

Flat tread on wheels on both sides of the V-groove allow the caster to roll on flat floors when not on the track.

All caster wheels have end play to allow for variation in track width.

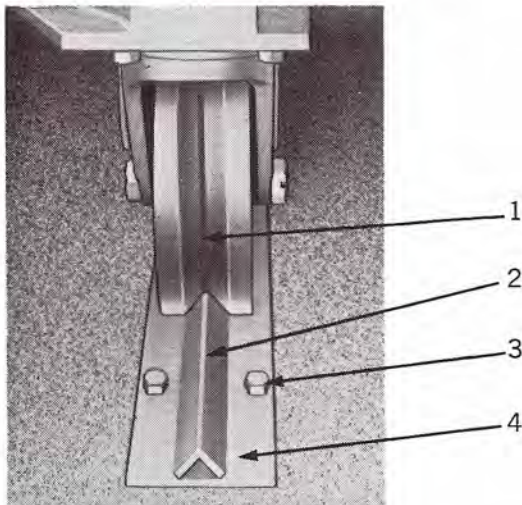
At corners and other places where accurate track width cannot be maintained, it is recommended that only one track be used, with the opposite wheel running on a flat, steel plate.

**WHEEL MATERIAL:** Lighter duty casters in the 450 to 1000 lbs. load capacity use wheels of heavy-section, semi-steel. Wheels of 1,500 to 3,000 lbs. load capacity are made of special heat-treated, malleable iron for longer life, wear and shock performance.

**SWIVEL:** Available in a variety of swivel types: economical single level ball bearing; rugged double-level full ball bearing. The double ball race is hardened for long life and easy swiveling. Precision unit bearing for heaviest type duty.

**WHEEL BEARINGS:** All V-groove wheel casters have straight roller bearings.

**FINISHES:** Available in a variety of finishes depending upon the caster selected.



### INVERTED ANGLE TRACK IS STRONG, INEXPENSIVE AND IS SELF-CLEANING

This illustration shows a typical angle-iron floor track installation.

**1. GROOVED WHEEL.** All Bassick grooved wheels are accurately machined.

**2. ANGLE IRON TRACK.** 2" x 2" heavy angle iron should be used for 8" diameter wheels. 1 1/2" x 1 1/2" heavy angle iron can be used for 4" and 6" grooved wheels.

**3. HEX HEAD CAP SCREWS.**

**4. STEEL BASE PLATE.** For heavy duty service where 2" angle iron is used a 1/2" x 5" steel plate is recommended with angle track welded to plate.

### Casters With Semi-Steel V-Grooved Wheels

WHEELS			Load Cap. Lbs.	Caster Height In.	Caster Type	Swivel Radius In.	TOP PLATE			CASTER NO.		
Dia. In.	Tread Width In.	Bearing Type					Bolt Hole Spacing In.	Mounting Bolt Dia. In.	Plate Size In.	Approx. Wt. Lbs.	Bassick No.	Stand. EDP No.
4	1 1/2	Roller	450	5	Swivel Rigid	3 1/8 —	3x4 2x5	3/8	4 x5 x3/32 3 3/16x6 5/32x1/8	5 1/2 5	4611-2CW 4381-2CW	10255 10245
4	1 1/2	Roller	600	5 1/4	Swivel Rigid	3 5/8 —	2 5/8x3 5/8 to 3x3	3/8	3 3/4x4 5/8x3 3/16	6 5 1/5	4XX1-2CW 4YY1-2CW	11973 11974
6	2	Roller	1200	7 3/8	Swivel Rigid	5 —	4 1/8x4 1/2	3/8	5 x5 1/2x7/32	14 12	6ES1-2CW 6ER1-2CW	11975 11976
6	2	Roller	1650	7 1/2	Swivel	4 7/8	2 7/16x4 1 5/16 slotted to 3 3/8x5 1/4	1/2	4 1/2x6 5/16	15	6OS1-2CW	13042
6	2	Roller	1650	7 1/2	Rigid	—		1/2		13	6OR1-2CW	13043

# Bassick

## POSITION FLOOR LOCKS

For castered equipment in factory and warehouse

A position lock lets you immobilize equipment in any desired location, but does not interfere with its movement when not in use. Platform trucks, fixture dollies or other castered items can be locked in place by a simple foot pressure.

Locking action is created when a large, round friction face of nearly 10 sq. inches in area is pressed against the floor with the force of 70 to 100 lbs.

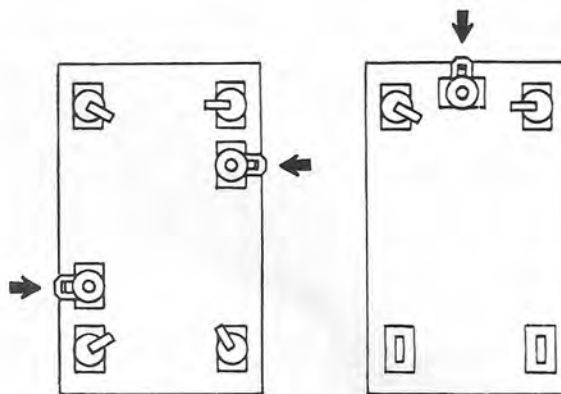
The position lock does not lift the equipment as the spring-allowed applied force is not as heavy as the weight of the castered item.

F430, F550 and F802 position locks have aluminum lacquer finish.

F410, F600, F800 position locks have bronze lacquer finish.



F430



### INSTALLATION INFORMATION

Where there are four swivel casters on a piece of equipment, use at least two position locks mounted diagonally to each other (See drawing at left).

When a piece of equipment has two swivel and two rigid casters, only one position lock is needed (See drawing at left).

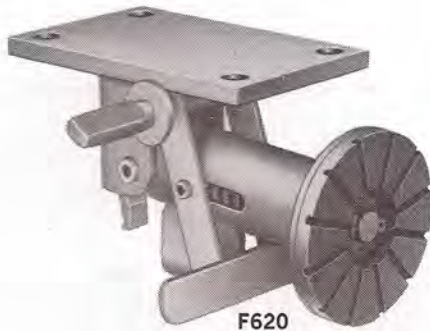
Mounting Height in.	Retracted Height in.	MOUNTING PLATE			Used With Caster Series	Approx. Weight lbs.	LOCK NUMBER	
		Size in.	Bolt Hole Spacing in.	Bolt Dia. in.			Bassick No.	Stand. EDP No.
5 $\frac{5}{8}$ 5 $\frac{13}{32}$	4 $\frac{11}{16}$ 4 $\frac{11}{16}$	3 $\frac{11}{16}$ x 5 $\frac{3}{8}$ 3 $\frac{11}{16}$ x 5 $\frac{3}{8}$	2 $\frac{3}{8}$ x 3 $\frac{3}{8}$ 2 $\frac{3}{8}$ x 3 $\frac{3}{8}$	$\frac{3}{8}$ $\frac{3}{8}$	4" Series XX, MS	8 8	F410 F430	10756 10757
7 $\frac{1}{4}$ 7 $\frac{3}{4}$	6 $\frac{1}{4}$ 6 $\frac{3}{4}$	4 $\frac{1}{2}$ x 6 4 $\frac{1}{2}$ x 6	2 $\frac{7}{16}$ x 4 $\frac{15}{16}$ 2 $\frac{7}{16}$ x 4 $\frac{15}{16}$	$\frac{1}{2}$ $\frac{1}{2}$	6" Series ES	10 10	F550 F600	10758 10759
9 $\frac{15}{16}$ 10 $\frac{1}{4}$	8 $\frac{3}{8}$ 9 $\frac{1}{4}$	5 $\frac{3}{8}$ x 7 $\frac{1}{4}$ 5 $\frac{3}{8}$ x 7 $\frac{1}{4}$	3 $\frac{3}{8}$ x 5 $\frac{1}{4}$ 3 $\frac{3}{8}$ x 5 $\frac{1}{4}$	$\frac{1}{2}$ $\frac{1}{2}$	8" Series S99	14 15	F802 F800	10765 10763

# RETRACTABLE POSITION LOCKS

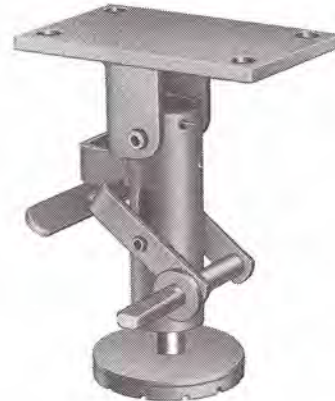
## For castered warehouse trucks and carriers

These locks are mounted on the outer edge of a truck and are swung out of the way when not in use. In the latter position they have a ground clearance of 3¼", making them desirable for use in areas of rough floors, door sills, ramps,

etc., which might damage conventional position locks. Retractable position locks are swung into position and engaged by foot pressure. They have an aluminum lacquer finish for rust prevention.



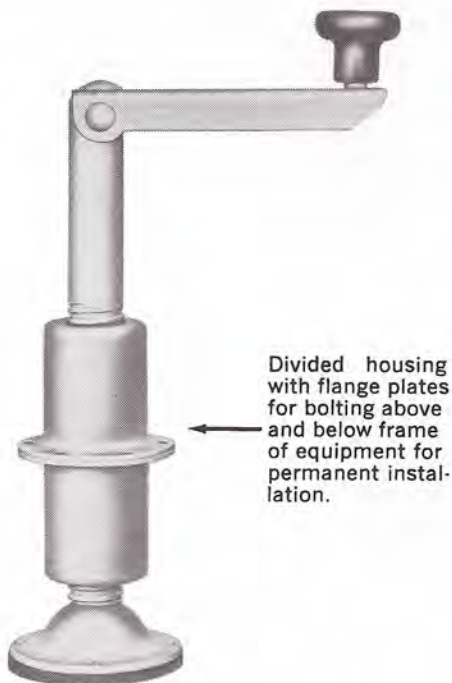
F620



Mounting Height In.	Retracted Height In.	MOUNTING PLATE			Used With Caster Series	Approx. Weight Lbs.	LOCK NUMBER	
		Size In.	Bolt Hole Spacing In.	Bolt Dia. In.			Bassick No.	Stand. EDP No.
7¾	4½	3¾ x 6¼	27/16 x 415/16	½	6" Series ES	5¼	F620	10762

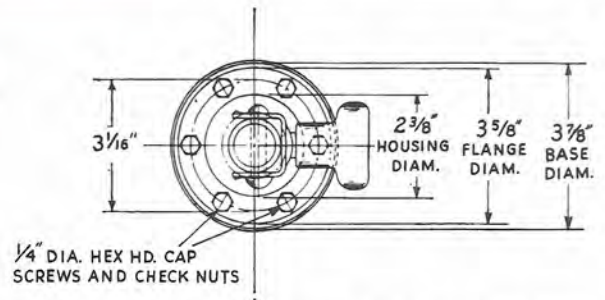
# LEVELIZING JACKS

## For leveling and stabilizing portable equipment



A625

Divided housing with flange plates for bolting above and below frame of equipment for permanent installation.



An economical and practical method for leveling and stabilizing portable equipment such as work platforms. They are used to brake equipment in place and elevate it to a required height.

These screw jacks can be used in areas where position locks cannot be applied. The hand crank has a radius of 7¼". All exposed metal parts are zinc plated for rust prevention.

Overall Height In.	Minimum Height below frame of equipment In.	Maximum Extended Hgt. below frame of equipment In.	Length of Screw Travel In.	Approx. Weight Lbs.	JACK NUMBER	
					Bassick No.	Stand. EDP No.
18	4½	13½	9	10½	A625	10768
26	4½	21½	17	12½	A622	10767
30	4½	25½	21	14	A627	10769



## BACO WHEELS

### Soft Rubber Tread Molded to Hard Rubber Core

The cushion rubber tread of this wheel provides maximum floor protection and quiet operation.

Top quality, non-staining compound carefully molded to hard rubber core to provide a uniformly thick tread with excellent abrasion resistance and long performance life.

Recommended for hand pushed use on hard surfaced floors.

Operating temperature range —20° F. to 160° F.

Rubber tread durometer is 70 to 80 Shore A scale.

Available with economical Self Lube wheel bearing or easier rolling roller bearing.

Indicated in caster catalog number by "6" as in 4616 or, with roller bearing, "6-2" as in 5AS6-2.



Dia. In.	Tread Width In.	Load Cap Lbs.	Bearing Type	Hub Length In.	Bore In.	Axle Dia. In.	Approx. Weight Lbs.	Used in Caster Series	WHEEL NUMBER	
									Bassick No.	Stand. EDP No.
2	7/8	75	Self Lube	63/64	1/4	1/4	1/8	69,70	WD6009	10931
2	7/8	75	Self Lube	63/64	1/4	1/4	1/8	69,70	WD6009G	10932
2	1	100	Self Lube	15/32	1/4	1/4	1/8	62	WD6102	10937
2 1/2	1 1/8	120	Self Lube	15/16	7/16	1/4	1/4	61,68	WD61025	10938
3	1 3/16	100	Self Lube	15/16	1/4	1/4	1/4	69,70	WD6013	10934
3	1 1/4	125	Self Lube	19/16	1/2	5/16	1/2	61,68,XX	WD6103	10939
3	1 1/4	125	Roller	19/16	1/2	5/16	2/3	61,68,XX	WR6203	10950
4	7/8	110	Self Lube	15/32	5/16	5/16	1/2	69,70	WD6014	10935
4	1 5/16	165	Self Lube	19/16	1/2	5/16	3/4	68,M68	WD6124	10946
4	1 5/8	200	Self Lube	17/8	9/16	3/8	1	61,XX,MS,	WD6104	10941
4	1 5/8	200	Roller	17/8	9/16	3/8	1 1/4	61,XX,MS	WR6204	10951
5	1 5/16	125	Self Lube	15/32	5/16	5/16	1	69,70	WD6015	10936
5	1 5/16	190	Self Lube	19/16	1/2	5/16	1 1/4	68,M68	WD6125	10947
5	2	425	Roller	2 3/8	3/4	1/2	2 1/4	AS,ES	WR6205	10953
6	2	475	Roller	2 3/8	3/4	1/2	3	AS,ES	WR6206	10954

# ATLASITE WHEELS

## Hard Rubber Solid Molded

Special compound of hard rubber provides these wheels with load capacity and ease of rolling close to that of a metal wheel, but they are more floor protective and quiet running.

Atlasite wheels are non-marking and non-sparking and resistant to water, oil, and most acids.

Recommended for hand pushed use on carpets, smooth concrete and wood floors.

Operating temperature range is  $-20^{\circ}$  F. to  $160^{\circ}$  F.

Available with economical Self Lube wheel bearing or easy rolling roller bearing.

Indicated in caster catalog number by "9" as in 3619, or, with roller bearing, "9-2" as in 4XX9-2.



Dia. In.	Tread Width In.	Load Cap Lbs.	Bearing Type	Hub Length In.	Bore In.	Axle Dia. In.	Approx. Weight Lbs.	Used in Caster Series	WHEEL NUMBER	
									Bassick No.	Stand. EDP No.
2	$\frac{25}{32}$	90	Self Lube	$\frac{51}{64}$	$\frac{5}{16}$	$\frac{5}{16}$	$\frac{1}{10}$	00	WD9029	11952
$2\frac{1}{2}$	$1\frac{1}{8}$	175	Self Lube	$1\frac{5}{16}$	$\frac{7}{16}$	$\frac{1}{4}$	$\frac{1}{3}$	61,68	WD91025	10903
3	$\frac{13}{16}$	125	Self Lube	$\frac{15}{16}$	$\frac{1}{4}$	$\frac{1}{4}$	$\frac{1}{4}$	69,70	WD9013	11953
3	$1\frac{1}{4}$	210	Self Lube	$\frac{19}{16}$	$\frac{1}{2}$	$\frac{5}{16}$	$\frac{1}{2}$	61,68,XX	WD9103	10904
3	$1\frac{1}{4}$	210	Roller	$\frac{19}{16}$	$\frac{1}{2}$	$\frac{5}{16}$	$\frac{3}{4}$	61,68,XX	WR9203	10915
4	$\frac{7}{8}$	135	Self Lube	$1\frac{5}{32}$	$\frac{5}{16}$	$\frac{5}{16}$	$\frac{1}{2}$	69,70	WD9014	11955
4	$1\frac{5}{16}$	255	Self Lube	$\frac{19}{16}$	$\frac{1}{2}$	$\frac{5}{16}$	1	68,M68	WD9124	10911
4	$\frac{15}{8}$	300	Self Lube	$\frac{17}{8}$	$\frac{9}{16}$	$\frac{3}{8}$	$1\frac{1}{4}$	61,XX,MS	WD9104	10906
4	$\frac{15}{8}$	300	Roller	$\frac{17}{8}$	$\frac{9}{16}$	$\frac{3}{8}$	$1\frac{1}{2}$	61,XX,MS	WD9204	10916
5	$\frac{15}{16}$	145	Self Lube	$1\frac{5}{32}$	$\frac{5}{16}$	$\frac{5}{16}$	1	69,70	WD9015	10901
5	$1\frac{5}{16}$	280	Self Lube	$\frac{19}{16}$	$\frac{1}{2}$	$\frac{5}{16}$	$1\frac{3}{4}$	68,M68	WD9125	10912
5	2	600	Roller	$2\frac{3}{8}$	$\frac{3}{4}$	$\frac{1}{2}$	$2\frac{3}{4}$	AS,ES	WR9205	10917
6	2	650	Roller	$2\frac{3}{8}$	$\frac{3}{4}$	$\frac{1}{2}$	$3\frac{3}{4}$	AS,ES	WR9206	10918

# Bassick

## CANAPHIN WHEELS

### Phenolic Resin Plastic Reinforced With Low Water Absorption Macerated Canvas

These hard tread wheels have high load capacity, impact resistance and are easy rolling, similar to metal wheels, but they are more floor protective and quiet running.

These clean and clean looking, non-marking wheels are recommended for hand pushed or power pulled use on hard smooth floors and carpet.

The new special material of CANAPHIN WHEELS makes them resistant to many chemicals, solvents, water solutions and water. This wheel material will not absorb water even after the phenolic plastic wheel tread surface has been worn away by rough floor abrasion.

Operating temperature range – 40°F. up to + 300°F.

Supplied with roller bearings (WR), sealed roller bearings (WS) and plastic sleeve bearings (WD).

Indicated in caster by "8-2" as in S8998-2, with sealed roller bearing "8-7" as in 5AS8-7 and with plastic sleeve bearing "8T" as in 8KS8T BLU.



#### CANAPHIN WHEELS

Dia. In.	Tread Width In.	Load Cap Lbs.	Bearing Type	Hub Length In.	Bore In.	Axle Dia. In.	Approx. Weight Lbs.	Used in Caster Series	WHEEL NUMBER	
									Bassick No.	Stand. EDP No.
3	1 <sup>13</sup> / <sub>16</sub>	500	Roller	1 <sup>15</sup> / <sub>16</sub>	9/ <sub>16</sub>	3/ <sub>8</sub>	3/ <sub>4</sub>	S99, S68	WR8253	10975
4	1 <sup>5</sup> / <sub>8</sub>	400	Roller	1 <sup>7</sup> / <sub>8</sub>	9/ <sub>16</sub>	3/ <sub>8</sub>	1	XX	WR8204	10966
5	2	1000	Self Lube	2 <sup>3</sup> / <sub>8</sub>	3/ <sub>4</sub>	1/ <sub>2</sub>	1 <sup>1</sup> / <sub>2</sub>	KS	WD8325	12881
5	2	1000	Seal Roller	2 <sup>3</sup> / <sub>8</sub>	3/ <sub>4</sub>	1/ <sub>2</sub>	2	AS, ES, OS	WS8205	11848
6	2	1200	Self Lube	2 <sup>3</sup> / <sub>8</sub>	3/ <sub>4</sub>	1/ <sub>2</sub>	2 <sup>1</sup> / <sub>2</sub>	KS	WD8326	12882
6	2	1200	Self Roller	2 <sup>3</sup> / <sub>8</sub>	3/ <sub>4</sub>	1/ <sub>2</sub>	2 <sup>1</sup> / <sub>2</sub>	AS, ES, OS	WS8206	11849
6	2 <sup>1</sup> / <sub>2</sub>	1650	Seal Roller	2 <sup>15</sup> / <sub>16</sub>	3/ <sub>4</sub>	1/ <sub>2</sub>	3 <sup>1</sup> / <sub>2</sub>	HS	WS88256	12739
8	2	1200	Seal Roller	2 <sup>3</sup> / <sub>8</sub>	3/ <sub>4</sub>	1/ <sub>2</sub>	3 <sup>1</sup> / <sub>2</sub>	AS, ES, OS	WS8248	11850
8	2 <sup>1</sup> / <sub>2</sub>	1650	Seal Roller	2 <sup>15</sup> / <sub>16</sub>	3/ <sub>4</sub>	1/ <sub>2</sub>	5 <sup>1</sup> / <sub>2</sub>	HS	WS88258	12740
8	2 <sup>1</sup> / <sub>2</sub>	1500	Roller	2 <sup>3</sup> / <sub>4</sub>	1	3/ <sub>4</sub>	4 <sup>1</sup> / <sub>2</sub>	S99	WR8258	10977
10	2 <sup>1</sup> / <sub>2</sub>	1650	Seal Roller	2 <sup>15</sup> / <sub>16</sub>	3/ <sub>4</sub>	1/ <sub>2</sub>	6 <sup>1</sup> / <sub>2</sub>	HS	WS88250	12741

## BRAVOTHANE WHEELS

Polyurethane tread interlocked to high impact polypropylene core. Specially compounded material has low friction providing easy rolling under load. Offers quiet service and floor protection for hand pushed applications.

**BRAVOTHANE** is not affected by water, oil, and most chemicals and is suggested for highly corrosive conditions. It is non-marking and easily cleaned.

Operating temperature range – 20°F up to 180°F.

Supplied standard with self lubricating plastic bearing indicated in caster by **8PT** as in 6KS8PT BLU



#### BRAVOTHANE WHEELS

Dia. In.	Tread Width In.	Load Cap Lbs.	Bearing Type	Hub Length In.	Bore In.	Axle Dia. In.	Approx. Weight Lbs.	Used in Caster Series	WHEEL NUMBER	
									Bassick No.	Stand. EDP No.
4	1 <sup>1</sup> / <sub>4</sub>	250	Self Lube	1 <sup>9</sup> / <sub>16</sub>	1/ <sub>2</sub>	5/ <sub>16</sub>	1/ <sub>2</sub>	68	WD8124T	15057
5	1 <sup>1</sup> / <sub>4</sub>	250	Self Lube	1 <sup>9</sup> / <sub>16</sub>	1/ <sub>2</sub>	5/ <sub>16</sub>	1 <sup>3</sup> / <sub>4</sub>	68	WD8125T	15058
5	2	700	Self Lube	2 <sup>3</sup> / <sub>8</sub>	3/ <sub>4</sub>	1/ <sub>2</sub>	2	KS, AS	WP8125T	15059
6	2	750	Self Lube	2 <sup>3</sup> / <sub>8</sub>	3/ <sub>4</sub>	1/ <sub>2</sub>	2 <sup>1</sup> / <sub>4</sub>	KS, AS	WP8126T	15061
8	2	750	Self Lube	2 <sup>3</sup> / <sub>8</sub>	3/ <sub>4</sub>	1/ <sub>2</sub>	2 <sup>1</sup> / <sub>2</sub>	KS, AS	WP8128T	15063

# BRAVO WHEELS

## High Impact Polypropylene Material

These tough non-marking wheels have a high load capacity, are easy rolling and quiet running, and are floor and carpet protective. They are impervious to water, acid, and most chemicals and have an operating range from -20°F to 180°F.

Sealed roller bearings retain lubricant and protect against water, dirt and other contaminants for easier rolling and longer service life. The less expensive plain bearing wheels are excellent for use in corrosive conditions.



Indicated in caster catalog number as "8M" for plain bearing, as 5AS8M, or as "8M-7" for sealed roller bearing, as in 6AS8M-7.



	Bravo polypropylene	phenolic resin	hard rubber
Low Temperature	- 20°	- 40°	- 20°
High Temperature	180°	300°	180°
Price	Lower	Medium	High
Resistance to Water Absorption	Very Good	Very Good	Very Good
Ease of Rolling	Very Good	Very Good	Very Good
Impact-Room Temp.	Excellent	Excellent	Very Good
Impact-Low Temp.	Excellent	Excellent	Good
Marking & Stain Resistance	Very Good	Very Good	Good
Load Capacity	Very Good	Excellent	Good
Wheel Tread Wear	Very Good	Good	Good
Resistance to Chemicals	Excellent	Very Good	Good

This chart compares Bravo polypropylene wheels to phenolic resin and hard rubber wheels which often are used in similar applications.

### BRAVO POLYPROPYLENE WHEELS

Dia. In.	Tread Width In.	Load Cap Lbs.	Bearing Type	Hub Length In.	Bore In.	Axle Dia. In.	Approx. Weight Lbs.	Used in Caster Series	WHEEL NUMBER	
									Bassick No.	Stand. EDP No.
2 1/2	1 1/8	175	Plain	1 5/16	7/16	1/4	1/4	61, 68	WP 81025M	12079
3	1 1/4	210	Plain	1 9/16	1/2	5/16	1/4	61, 68	WP 8103M	12080
4	1 1/4	255	Plain	1 9/16	1/2	5/16	1/2	68, M68	WP 8114M	12180
5	1 1/4	280	Plain	1 9/16	1/2	5/16	3/4	68, M68	WP 8115M	12179
5	2	650	Self Lube	2 3/8	3/4	1/2	1	KS	WD 8325M	12878
5	2	650	Plain	2 3/8	3/4	1/2	3/4	AS	WP 8125M	12056
5	2	650	Seal Roller	2 3/8	3/4	1/2	1	AS	WS 8225M	12059
6	2	700	Self Lube	2 3/8	3/4	1/2	1 1/4	KS	WD 8326M	12879
6	2	700	Plain	2 3/8	3/4	1/2	1	AS	WP 8126M	12057
6	2	700	Seal Roller	2 3/8	3/4	1/2	1 1/4	AS	WS 8226M	12060
8	2	900	Self Lube	2 3/8	3/4	1/2	1 3/4	KS	WD 8328M	12880
8	2	900	Plain	2 3/8	3/4	1/2	1 3/4	AS	WP 8128M	12058
8	2	900	Seal Roller	2 3/8	3/4	1/2	2	AS	WS 8228M	12061

## METAL WHEELS

Metal wheels have the highest load capacity, are the easiest rolling and find good application on rough and chip littered floors that could damage other types of wheel treads. They are also used where there are high temperatures.

The three types of metal wheels are:

**BIRON:** Powdered iron compacted and sintered as strong as cast iron. Concentric, smooth tread reduces noise and floor damage.

**SEMI-STEEL:** Cast iron toughened with steel scrap. Use on rough floors, concrete and wood.

**FORGED STEEL:** Practically indestructible wheel with very high fatigue and impact resistance. For use on very abusive conditions. For continuous running on steel tread plates use with tapered roller bearings.

Metal wheels are indicated in caster catalog number by "1" as in 4381 or, with roller bearing "1-2" as in 6ES1-2. Forged steel wheels use "2" as in 6HA2-2T.



Dia. In.	Tread Width In.	Load Cap. Lbs.	Bearing Type	Hub Length In.	Bore In.	Axle Dia. In.	Approx. Weight Lbs.	Used In Caster Series	WHEEL NUMBER	
									Bassick No.	Stand. EDP No.

### BIRON POWDERED IRON

3	1 <sup>5</sup> / <sub>32</sub>	250	Plain	1 <sup>9</sup> / <sub>16</sub>	1/2	5/16	1	61, XX	WP1103	10980
3	1 <sup>5</sup> / <sub>32</sub>	250	Roller	1 <sup>9</sup> / <sub>16</sub>	7/16	5/16	1	61, XX	WR1203	10987

### SEMI STEEL

Dia. In.	Tread Width In.	Load Cap. Lbs.	Bearing Type	Hub Length In.	Bore In.	Axle Dia. In.	Approx. Weight Lbs.	Used in Caster Series	WHEEL NUMBER	
									Bassick No.	Stand. EDP No.
4	1 1/2	425	Plain	17/8	9/16	3/8	2	61, XX, MS	WP1104	10981
4	1 1/2	425	Roller	17/8	9/16	3/8	2 1/4	61, XX, MS	WR1204	10988
5	2	1500	Seal Roller	2 <sup>3</sup> / <sub>8</sub>	3/4	1/2	5	OS, AS, ES	WS12205	12742
5	2 1/2	1500	Roller	2 <sup>3</sup> / <sub>4</sub>	1	3/4	6 1/2	S99, HA	WR1265	11002
6	2	1650	Seal Roller	2 <sup>3</sup> / <sub>8</sub>	3/4	1/2	6	OS, AS, ES	WS12206	12743
6	2 1/2	1650	Seal Roller	2 <sup>15</sup> / <sub>16</sub>	3/4	1/2	8	HS	WS12256	12730
8	2	1650	Seal Roller	2 <sup>3</sup> / <sub>8</sub>	3/4	1/2	9 1/2	OS, AS, ES	WS12208	12744
8	2 1/2	1500	Roller	2 <sup>3</sup> / <sub>4</sub>	1	3/4	10 1/2	S99, HA	WR1258	11001
8	2 1/2	1650	Seal Roller	2 <sup>15</sup> / <sub>16</sub>	3/4	1/2	10 1/2	HS	WS12258	12731
10	2 1/2	1650	Seal Roller	2 <sup>15</sup> / <sub>16</sub>	3/4	1/2	15	HS	WS12250	12732

### FORGED STEEL

6	2 1/2	3000	Roller	2 <sup>3</sup> / <sub>4</sub>	1	3/4	11	S99, HA	WR1566	11009
6	2 1/2	3000	Taper Roller	2 <sup>3</sup> / <sub>4</sub>	3/4	3/4	11	S99, HA	WR1566T	11010
8	2 1/2	3000	Roller	2 <sup>3</sup> / <sub>4</sub>	1	3/4	15	S99, HA	WR1568	11011

# V-GROOVED WHEELS

## Metal Wheels With Machined Groove In Tread

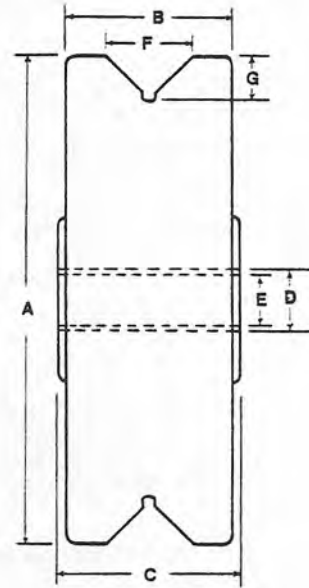
A high load capacity wheel for running on inverted angle iron tracks for easy rolling and a controlled path.

The 90° angle V-groove is machined smooth and concentric. The flat surfaces of the tread allow rolling on floors when off the track.

There is 1/8" end play of these wheels when mounted in Bassick casters to allow for variations in track width.

The two smaller wheels are manufactured of semi-steel, cast iron enriched with steel scrap. The two larger wheels are made of special high tensile malleable iron for greater load capacity and impact resistance.

Indicated in caster catalog number by "1-2CW" as in 4YY1-2CW.



Dia. In. A	Tread Width In. B	Width of V Groove F	Depth of V Groove G	Load Cap. Lbs.	Bearing Type	Hub Length In. C	Bore In. D	Axle Dia. In. E	Approx. Weight Lbs.	Used In Caster Series	WHEEL NUMBER	
											Bassick No.	Stand. EDP No.

### SEMI STEEL WHEEL

4	1½	7/8	7/16	600	Roller	1¾	5/16	3/8	3½	61,XX,	WR10154	11051
6	2	7/8	7/16	1650	Roller	2¼	3/4	½	9	ES,OS	WR10206	11050

### HIGH TENSILE STRENGTH MALLEABLE IRON WHEEL

6	2¾	7/8	7/16	3000	Roller	27/8	1	¾	14	S99	WR11256	11052
8	2¾	1¾	11/16	3000	Roller	2¾	1	¾	17	S99,HA	WR11258	11053

## ALCORE RUBBER WHEELS Soft Rubber Tread Bonded to Aluminum Core

Soft rubber tread provides maximum floor and load protection and quiet operation with impact strength. Recommended for hand pushed or conveyor towed application on hard floors. Supplied standard with sealed roller wheel bearing. Indicated in caster catalog numbers by "3R-7" as in 6ES3R-7.



**ALCORE RUBBER WHEELS** Soft rubber tread bonded to Aluminum Core. Soft rubber tread provides maximum floor and load protection and quiet operation with impact strength. Recommended for hand pushed or conveyor towed application on hard floors. Supplied standard with sealed roller wheel bearing. Indicated in caster catalog number by "3R-7" as in 6ES3R-7.

Dia. In.	Tread Width In.	Load Cap Lbs.	Bearing Type	Hub Length In.	Bore In.	Axle Dia. In.	Approx. Weight Lbs.	Used in Caster Series	WHEEL NUMBER	
									Bassick No.	Stand. EDP No.
5	2	450	Seal Roller	2 <sup>3</sup> / <sub>8</sub>	3/4	1/2	2	AS, ES, OS	WS7705	12363
6	2	500	Seal Roller	2 <sup>3</sup> / <sub>8</sub>	3/4	1/2	2 1/4	AS, ES, OS	WS7706	12364
8	2	600	Seal Roller	2 <sup>3</sup> / <sub>8</sub>	3/4	1/2	4	AS, ES, OS	WS7708	12365

**ALCORE RUBBER WHEELS** Soft rubber tread interlocked to heavy section die cast Aluminum core for superior tread retention under conditions of high abuse. Indicated in caster catalog number by "3R-7" as in 8HS3R-7.

Dia. In.	Tread Width In.	Load Cap Lbs.	Bearing Type	Hub Length In.	Bore In.	Axle Dia. In.	Approx. Weight Lbs.	Used in Caster Series	WHEEL NUMBER	
									Bassick No.	Stand. EDP No.
6	2 1/2	550	Seal Roller	2 <sup>15</sup> / <sub>16</sub>	3/4	1/2	4	HS	WS37256	12736
8	2 1/2	670	Seal Roller	2 <sup>15</sup> / <sub>16</sub>	3/4	1/2	5 1/2	HS	WS37258	12737
10	2 1/2	800	Seal Roller	2 <sup>15</sup> / <sub>16</sub>	3/4	1/2	7	HS	WS37250	12738

## POLYURETHANE TREAD WHEELS with Die Cast Aluminum Core

Tough, abrasion resistant, resilient polyurethane interlocked to a heavy section die cast aluminum core provides high load capacity, quiet, easy rolling, floor protection and tread retention in abusive conditions. Recommended for hand pushed and conveyor towed operation on hard floors, concrete, wood.

Polyurethane is not affected by water, oil and most chemicals and is non-marking and non-staining.

Operating temperature range is -65°F to 212°F.

Supplied standard with sealed roller bearing indicated in caster catalog number by "3P-7" as in 6HS3P-7.



### POLYURETHANE TREAD WHEELS

Dia. In.	Tread Width In.	Load Cap Lbs.	Bearing Type	Hub Length In.	Bore In.	Axle Dia. In.	Approx. Weight Lbs.	Used in Caster Series	WHEEL NUMBER	
									Bassick No.	Stand. EDP No.
5	2	1300	Seal Roller	2 <sup>3</sup> / <sub>8</sub>	3/4	1/2	2 1/2	AS, ES, OS	WS38205	12745
6	2	1500	Seal Roller	2 <sup>3</sup> / <sub>8</sub>	3/4	1/2	3	AS, ES, OS	WS38206	12746
6	2 1/2	1650	Seal Roller	2 <sup>15</sup> / <sub>16</sub>	3/4	1/2	4	HS	WS38256	12733
8	2	1650	Seal Roller	2 <sup>3</sup> / <sub>8</sub>	3/4	1/2	4 1/2	AS, ES, OS	WS38208	12747
8	2 1/2	1650	Seal Roller	2 <sup>15</sup> / <sub>16</sub>	3/4	1/2	6	HS	WS38258	12734
10	2 1/2	1650	Seal Roller	2 <sup>15</sup> / <sub>16</sub>	3/4	1/2	7	HS	WS38250	12735