



HRLK Series - Leveling Caster

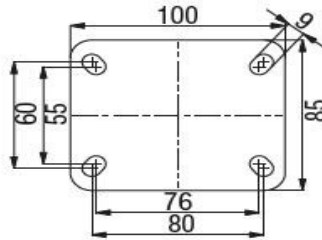
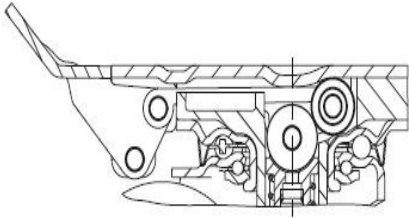
Industrial Top Plate Casters with Integrated True Metric Standards



400—660 lbs.



RoHS



The HRLK- Leveling Caster rig series with top plate fitting is available with following wheels:

POG



Wheel: Impact-resistant nylon, 70° Shore D
Color: Gray
Bearing Type: Plain bore

ALTH

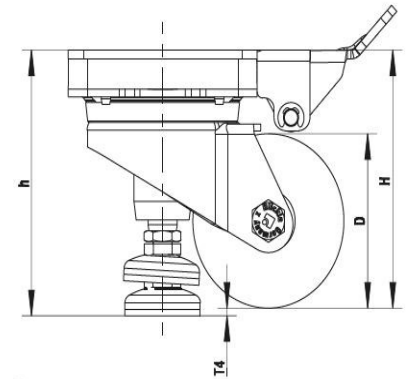


Tread: High quality polyurethane-elastometer Blickle Extrathane®, 92° Shore A, light brown, non-marking, non-staining, cast tread.
Wheel center: Die-cast aluminum
Bearing type: Ball bearing

SPOG



Wheel: High quality, Impact-resistant nylon, very rugged extra heavy wheel design 70° Shore D
Color: Gray
Bearing Type: Ball bearing



Make your mobile equipment stationary with one easy step.
 The activation lever doesn't swivel with the caster offering easy access at all times

Swivel Caster	Wheel (D) [in] [mm]	Wheel Width (T2) [in] [mm]	Load Capacity [lbs.] [kg]	Bearing Type	Total Height (H) [in] [mm]	Max Total Height (h) [in] [mm]	Lifting Height (T4) [in] [mm]	Plate Size [mm]	Bolt Hole Spacing [mm]	For Mounting Bolt [in]	Offset [in]
HRLK- POG Series											
HRLK-POG 82G	3 1/4 [80]	1 7/16 [37]	505 [230]	Plain Bore	4 11/16 [120]	4 51/64 [122]	5/64 [2]	100 X 85	80 X 60	5/16	2 13/64
HRLK-POG 100G	4 [100]	1 7/16 [37]	505 [230]	Plain Bore	5 1/2 [140]	5 33/64 [142]	5/64 [2]	100 X 85	80 X 60	5/16	2 17/32
HRLK-SPOG Series											
HRLK-SPOG 80K	3 1/8 [80]	1 7/16 [37]	660 [300]	Ball Bearing	4 11/16 [120]	4 51/64 [122]	5/64 [2]	100 X 85	80 X 60	5/16	2 13/64
HRLK-ALTH Series											
HRLK-ALTH 80K	3 1/8 [80]	1 1/8 [30]	400 [180]	Ball Bearing	4 11/16 [120]	4 51/64 [122]	5/64 [2]	100 X 85	80 X 60	5/16	2 13/64
HRLK-ALTH 100K	4 [100]	1 9/16 [40]	505 [230]	Ball Bearing	5 1/2 [140]	5 33/64 [142]	5/64 [2]	100 X 85	80 X 60	5/16	2 17/32

C.P. Lauman Company Inc.

• 9 Walkup Drive, • Westborough, MA -01581
 • 1-(800) 462-4005 • www.cplauman.com • sales@cplauman.com